

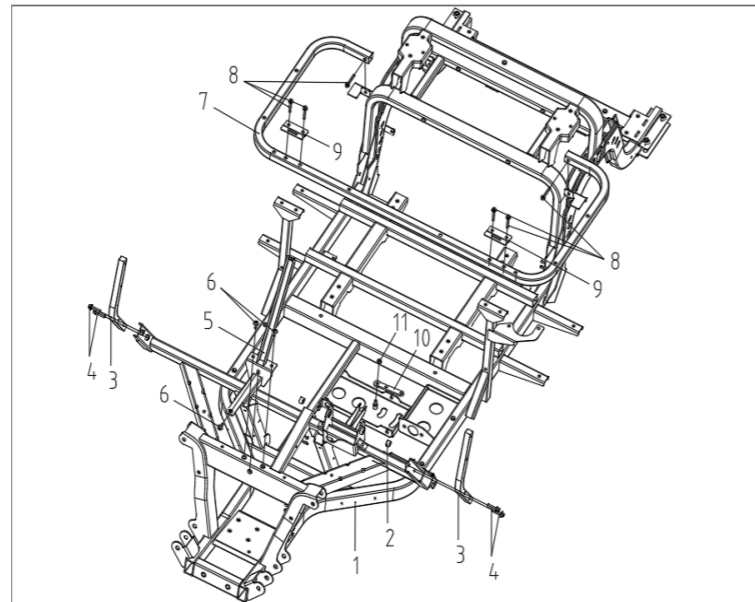
# Goggo

## Cruise E4

### PARTS MANUAL

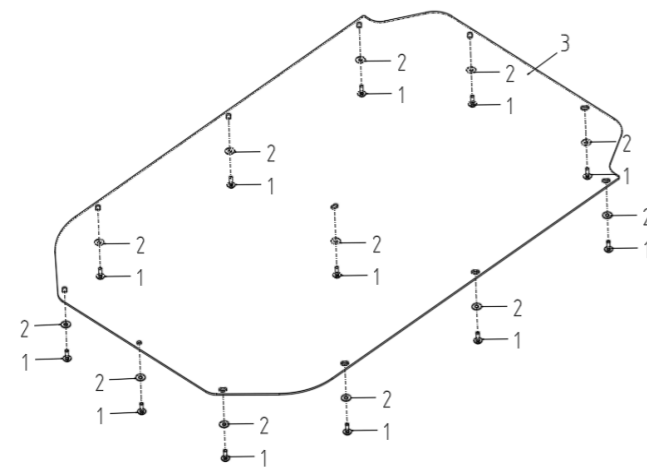
version 202601

**1 FRAME**



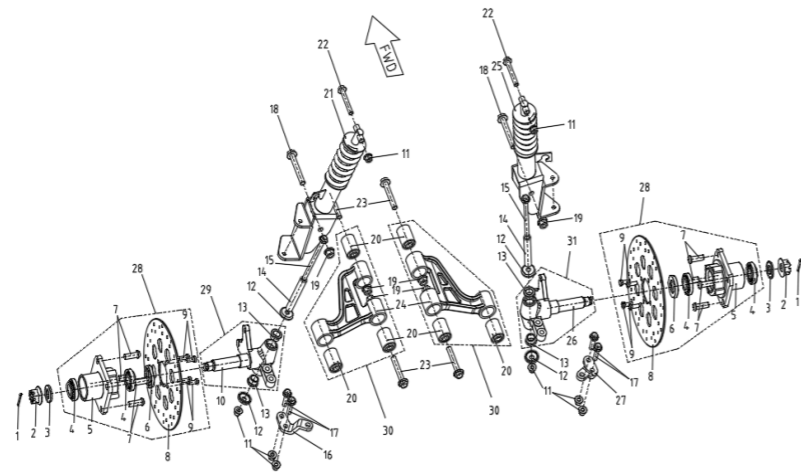
REF	PART #	PART NAME	QTY
1	1EK5010000	Frame	1
2	1MR1513200	bushing	2
3	1EK5080300	Pillar A connector	2
4	9184308030261300	Bolt M8x30 (GB/T 16674.1)	4
5	1EK5050000	Bracket of front cover	1
6	9276360160111300	Screw M6x16 (GB/T 973)	3
7	1EK5080200	Support tube of Seat ASSY	1
8	9186306040261300	Bolt M6x40 (GB/T 16674.1)	6
9	1EK5813000	Seat hinge base plate	2
10	1EK5404000	Lever of parking cable	1
11	9330306010141300	Nut M6 (GB/T 6187.1)	1

**2 CHASSIS SHIELD**



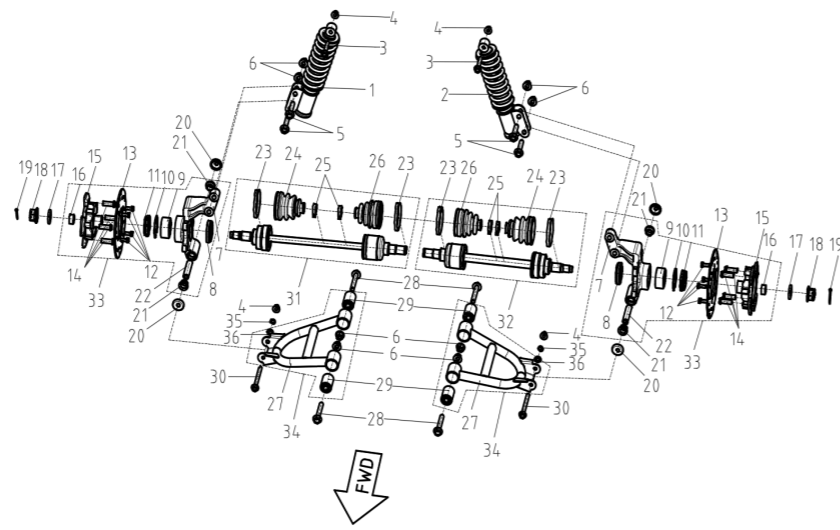
REF	PART #	PART NAME	QTY
1	9275360160111300	Screw M6x16 (GB/T 973)	12
2	9402308000031300	Washer 8 (GB/T 96.1)	12
3	1EK6000100	Chassis Shield	1

**3 FRONT SUSPENSION SYSTEM**



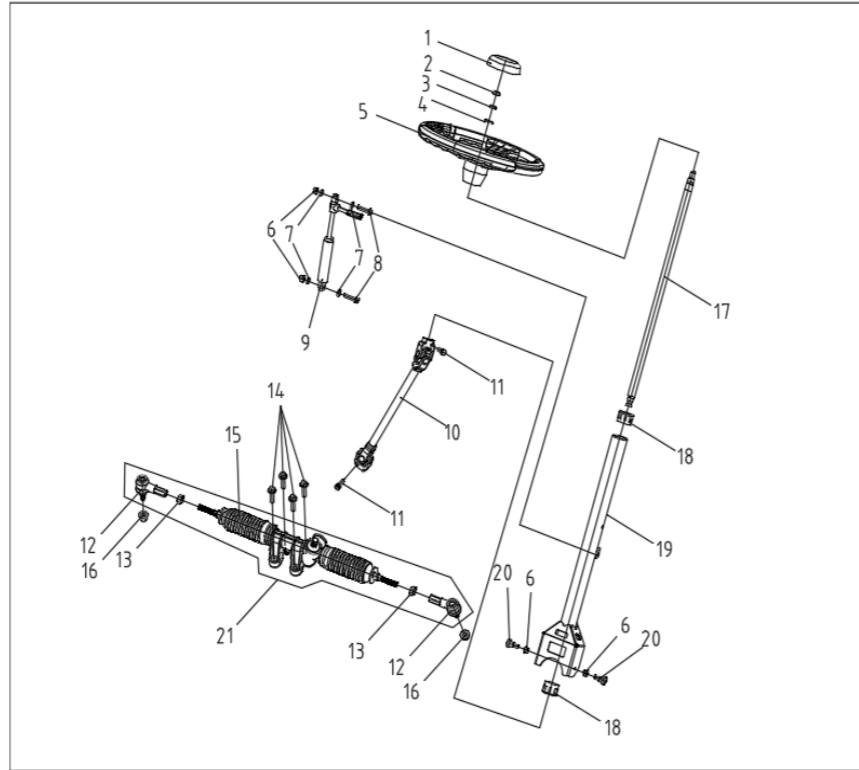
REF	PART #	PART NAME	QTY
1	9500340032002300	Cotter Pin 4x32	2
2	1MU5450400	Slotted Nut M20x1.25	2
3	9408320000001300	Washer 20 (GB/T 1230 )	2
4	L44643/L44610	Tapered roller bearing L44643/L44610	4
5	1EK5455100	Hub, FR Wheel	2
6	1EK5305100	Seal 30x52x7	2
7	1MU5555200	Bolt	8
8	1EK5455300	BrakeDisc, F	2
9	9151308020281300	Bolt M8x20 (GB/T 5783)	8
10	1EK5221200	Left Steering Knuckle	1
11	9330310015263200	Nut M10 (GB/T 6187.2)	8
12	3MU5514300	Dust cover	4
13	3MU551450001	Bushing	4
14	1EK5221100	Bushing	2
15	9184310135283200	Bolt M10x135 (GB/T 16674.1)	2
16	1EH5210200	Left connecting plate	1
17	9184310040283200	Bolt M10x40 (GB/T 16674.1)	4
18	9184312085283200	Bolt M12x85 (GB/T 16674.1)	2
19	9330312018263200	Nut M12 (GB/T 6187.2)	6
20	1MU5412000	Bushing	6
21	1EH5210100	Front shock absorber assembly, L	1
22	9184310070283200	Bolt M10x70 (GB/T 16674.1)	2
23	9184312075283200	Bolt M12x75 (GB/T 16674.1)	4
24	1EK5211000	A-Arm, Front	2
25	1EH5211100	Front shock absorber assembly, R	1
26	1EK5221300	Right Steering Knuckle	1
27	1EH5210300	Right connecting plate	1
28	1EKX545000	Hub ASSY, FR Wheel	2
29	1EK5221000	Left Steering Knuckle ASSY	1
30	1EK5213000	A-Arm ASSY, Front	2
31	1EK5222000	Right Steering Knuckle ASSY	1

4 REAR SUSPENSION SYSTEM



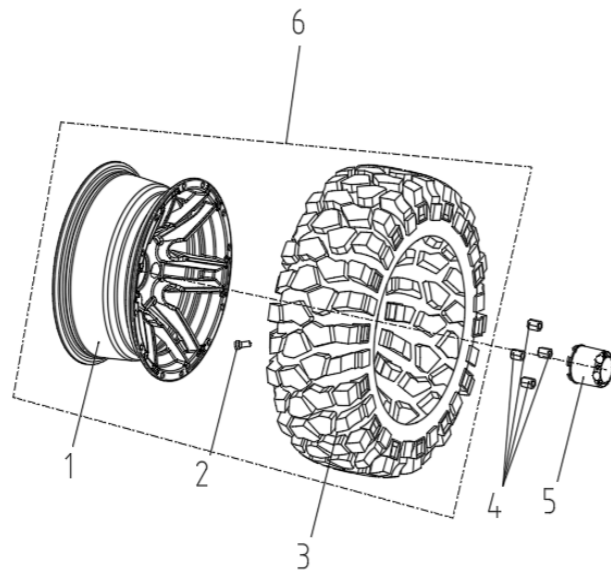
REF	PART #	PART NAME	QTY
1	1EH5250000	Right rear shock absorber	1
2	1EH5240000	Left rear shock absorber	1
3	9184310055283200	Bolt M10×55 (GB/T 16674.1)	2
4	9330310015263200	Nut M10 (GB/T 6187.2)	4
5	9184312055283200	Bolt M12×55 (GB/T 16674.1)	4
6	9330312018263200	Nut M12 (GB/T 6187.2)	6
7	1EH5243000	Knuckle	2
8	1MU5515000	Seal 61.5 43 12	2
9	1MU5517000	Bearing34	2
10	9430158000000000	Circlip 58(GB/T 893.1)	2
11	1MU5516000	Seal 58 41.2 12	2
12	9151308020281300	Bolt M8×20 (GB/T 5783)	8
13	1MU5555400	Brake Disc, R	2
14	1MU5555200	Bolt	8
15	1MU555510001	Hub, FR Wheel	2
16	1MU5555300	Oil Seal	2
17	9408320000001300	Washer 20 (GB/T 1230 )	2
18	1MU5450400	Slotted Nut M20×1.25	2
19	9500340032002300	Cotter Pin 4×32	2
20	3MU5514300	Dust cover	4
21	3MU551450001	Bushing	4
22	3MU5514600	Bushing	2
23	1MU5710900	Circlip A	4
24	1MU5710800	Boot (outside)	2
25	1MU5710600	Clamp	4
26	1MU5711800	Boot (inside)	2
27	1EH5241000	A-Arm, Rear	2
28	9184312075283200	Bolt M12×75 (GB/T 16674.1)	4
29	1MU5412000	Bushing	4
30	9184310100283200	Bolt M10×100 (GB/T 16674.1)	2
31	1EH5720000	Rear Drive Axle ASSY , R	1
32	1EH5710000	Rear Drive Axle ASSY , L	1
33	1EHX551400	Rear Hub ASSY	2
34	1EHX524000	A-Arm ASSY , Rear	2
35	9403110000000000	Spring Washer 10 (GB/T 93)	2
36	9401310000031300	Washer 10 (GB/T 97.1)	2

**5 STEERING ASSY**



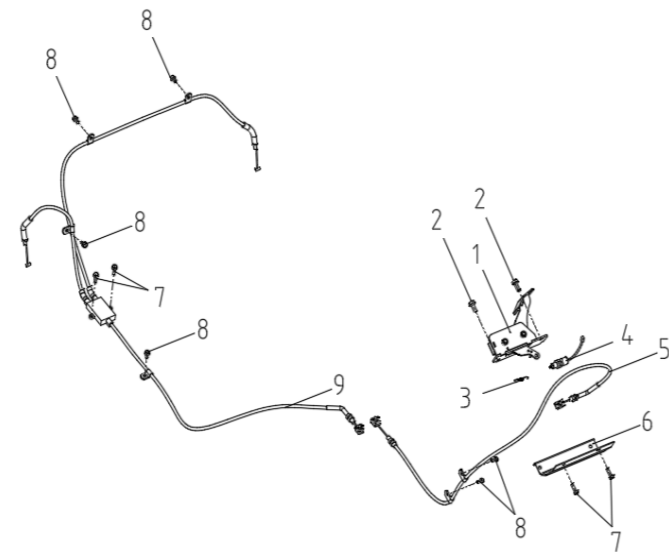
REF	PART #	PART NAME	QTY
1	1EK5611200	Steering wheel trim cover	1
2	9350312018261300	Nut M12×1.25 (GB/T6173)	1
3	9403112000000000	Spring Washer 12 (GB/T 93)	1
4	9401312000031300	Washer 12 (GB/T 97.1)	1
5	1EK5611100	Wheel,Steering	1
6	9330308013241300	Nut M8 (GB/T 6187.1)	4
7	1EK5612100	Flat gasket	2
8	9184308035261300	Bolt M8×35 (GB/T 16674.1)	2
9	1EK5615000	Air support assembly	1
10	1EK5614000	Steering transmission shaft assembly	1
11	1EK8120200	Bolt M8×25 with spring washer	2
12	1EK5612300	Tie Rod End B	2
13	9340312018261300	Nut M12×1.25 (GB/T 6171)	2
14	9184310035283200	Bolt M10×35 (GB/T 16674.1)	4
15	1EK5612200	Steering ASSY	1
16	9330310015263200	Nut M10 (GB/T 6187.2)	2
17	1EK5613200	Steering shaft	1
18	1EK5613300	Rubber bearing	2
19	1EK5613100	Outer pipe of steering shaft	1
20	1EK5613400	Step bolt	2
21	1EK5612000	Steering assembly with tie rod	1

**6 WHEEL**



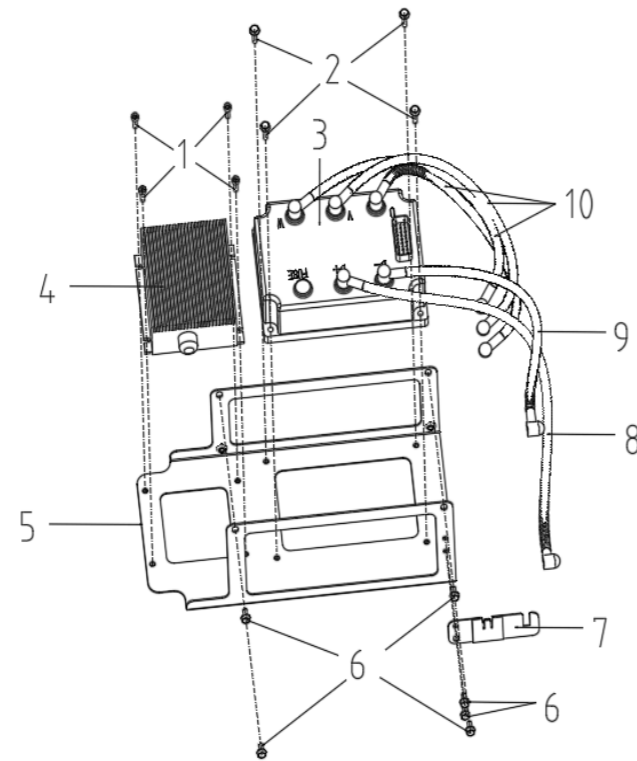
REF	PART #	PART NAME	QTY
1	1EK5456000	Rim (AL) 14×7, 110, ET-35	4
2	1MU5554000	Valve, Rim(TR412)	4
3	9950014010040000	Tire 23×10-14	4
4	1MU545030001	Nut, Wheel	16
5	1EK5457000	CAP, Wheel Center	4
6	1EH5451000	Tire ASSY R14&23×10-14	4

7 Parking ASSY



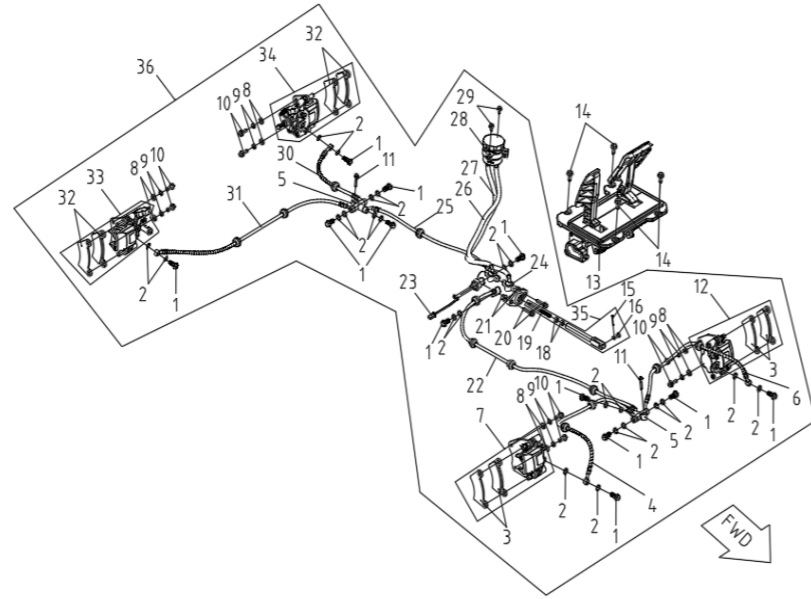
REF	PART #	PART NAME	QTY
1	1MUC15040000	Pedal parking ASSY	1
2	9186308020261300	Bolt M8×20 (GB/T 5789)	2
3	1EK5403000	Spring, Pedal parking	1
4	3MU8057000	Parking switch	1
5	1EK5401000	Parking cable ASSY, Front	1
6	1EK5405000	Parking fender skin	1
7	9184306020361300	Bolt M6×20 (GB/T 16674.1)	4
8	9184306012161300	Bolt M6×12 (GB/T 16674.1)	6
9	1EK5402000	Parking cable ASSY, Rear	1

8 Controller related



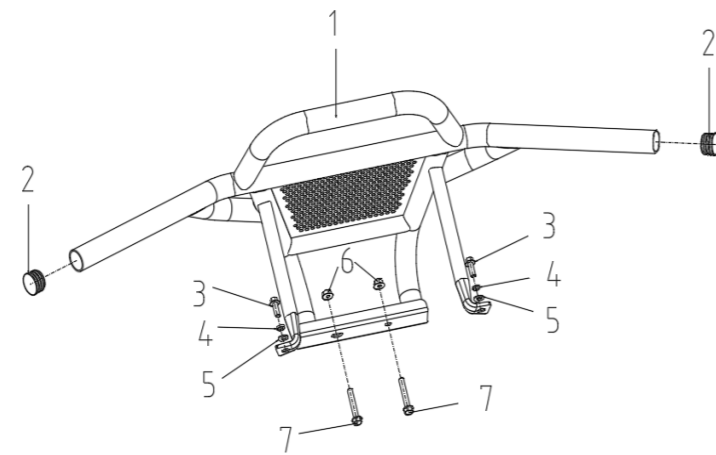
REF	PART #	PART NAME	QTY
1	9218306020362300	Bolt M6×20 (GB/T 70.1)	4
2	9186306025161300	Bolt M6×25 (GB/T 5789)	4
3	1EK8092000	Controller	1
4	1EK8310000	DC-DC converter	1
5	1EK5013700	Controller mounting plate	1
6	9184306012161300	Bolt M6×12 (GB/T 16674.1)	6
7	1EK5814500	Fuse box bracket assembly	1
8	1EK8081000	Positive wire of power supply	1
9	1EK8083000	Negative line of power supply	1
10	1EK8082000	Motor phase line	3

9 BRAKING ASSY



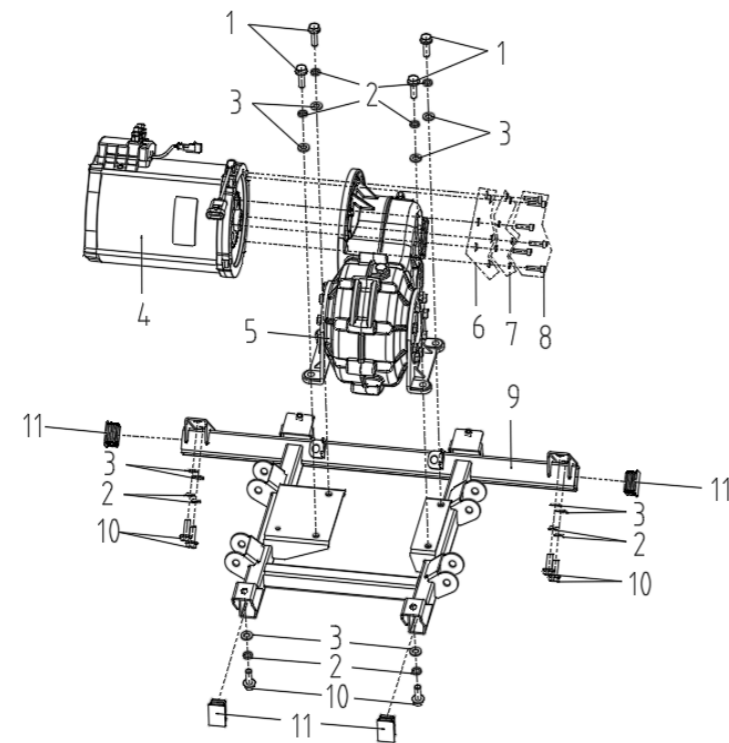
REF	PART #	PART NAME	QTY
1	3MU5631S00	Over oil bolt	12
2	3MU5631T00	Sealing copper gasket	24
3	1MU5633200	Brake pad	4
4	1EK5636000	Brake hose, FR	1
5	3MU5631900	T piece	2
6	1EK5635000	Brake hose, FL	1
7	1EK5633000	Brake caliper, FR	1
8	9401308000031300	Washer 8 (GB/T 97.1)	8
9	9403108000000000	Spring Washer 8 (GB/T 93)	8
10	9184308022281300	Bolt M8x22 (GB/T 16674.1)	8
11	9184306030102300	Bolt M6x30 (GB/T 16674.1)	2
12	1EK5634000	Brake caliper, FL	1
13	1EK5616000	Pedal ASSY	1
14	9186308020261300	Bolt M8x20 (GB/T 5789)	4
15	9500320025002300	Cotter Pin 2.0x25	1
16	Q510B0822	Shaft pin (GB/T882 销轴8x22X2)	1
17	1EK5632710	Brake linkage rod	1
18	9340308013342300	Nut M8 (GB/T 6170-2000)	2
19	1EK5632720	Brake push rod	1
20	9184308030261300	Bolt M8x30 (GB/T 16674.1)	2
21	9330308013241300	Bolt M8 (GB/T 6187.1)	2
22	1EK5644000	Middle hose, F	1
23	1EK5646000	Brake signal line	1
24	1EK5632000	Brake Master Pump ASSY	1
25	1EK5642000	Middle hose, R	1
26	1EK5632300	Main Pump Brake Hose, R	1
27	1EK5632400	Main Pump Brake Hose, F	1
28	1EK5645000	Brake fluid tank	1
29	9184306012161300	Bolt M6x12 (GB/T 16674.1)	2
30	1EK5639000	Brake hose, RL	1
31	1EK5641000	Brake hose, RR	1
32	1MU5633210	Brake pad (High friction)	4
33	1MU5637000	Brake caliper, RL	1
34	1MU5638000	Brake caliper, RR	1
35	1EK5632700	Putter ASSY	1
36	1EK5630010	Brake ASSY	1

**10 Front bumper**



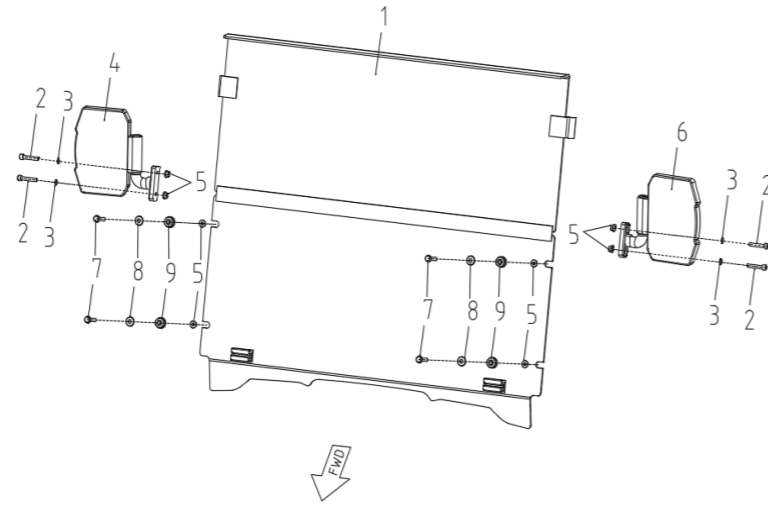
REF	PART #	PART NAME	QTY
1	1EK5042000	Front Bumper	1
2	1EK5044000	Plug	2
3	9184308022281300	Bolt M8×22 (GB/T 16674.1)	2
4	9403108000000000	Spring Washer 8 (GB/T 93)	2
5	9401308000031300	Washer 8 (GB/T 97.1)	2
6	9330308013241300	Bolt M8 (GB/T 6187.1)	2
7	9330308013241300	Bolt M8×50 (GB/T 16674.1)	2

**11 Power assembly**



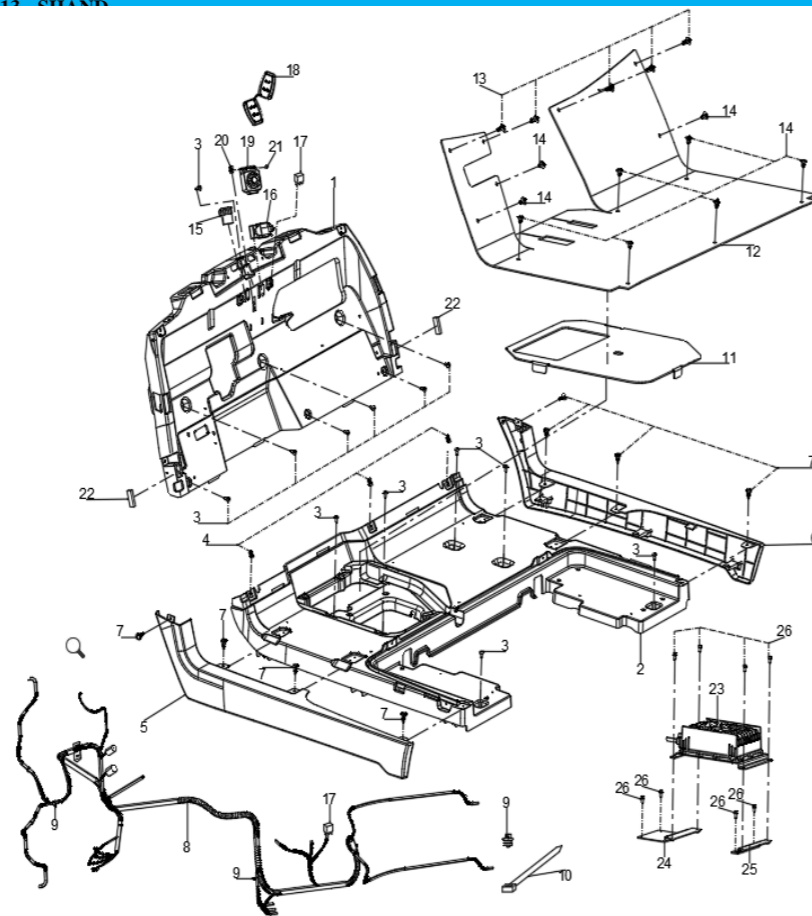
REF	PART #	PART NAME	QTY
1	9186310028281300	Bolt M10×1.25×28 (GB/T 5789)	4
2	9403110000000000	Spring Washer 10 (GB/T 93)	10
3	9401310000031300	Washer 10 (GB/T 97.1)	10
4	1EK8021000	Motor	1
5	1EK5423010	Gear box ASSY	1
6	9401306000031300	Washer 6 (GB/T 97.1)	6
7	9403110000000000	Spring Washer 6 (GB/T 93)	6
8	9218260250100000	Bolt M6×25 (GB/T 70.1)	6
9	1EK5020000	Sub-frame	1
10	9184310025283200	Bolt M10×1.25×25 (GB/T 16674.1)	6
11	1MU7090200	Rectangular end cap	4

12 Front windshield and Rear view mirror ASSY



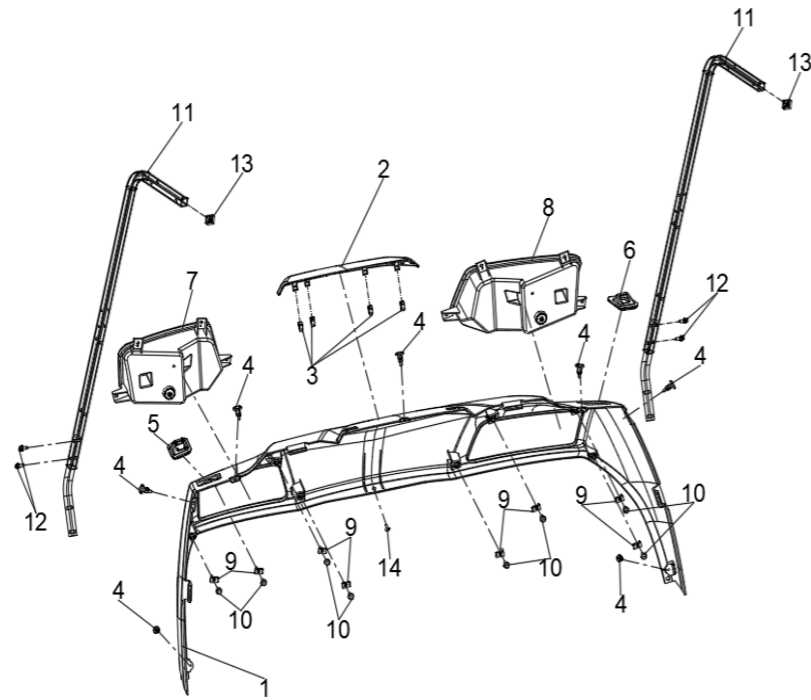
REF	PART #	PART NAME	QTY
1	1EK7070000	Front windshield ASSY	1
2	9218308045261300	Bolt M8x45 (GB/T 70.1)	4
3	1MQ1242800	Washer 8	4
4	3MU7021000	Rear view mirror, R	1
5	9330308013241300	Bolt M8 (GB/T 6187.1)	8
6	3MU7022000	Rear view mirror, L	1
7	9184308050261300	Bolt M8x50 (GB/T 16674.1)	4
8	1EK7070300	Washer 8, Front windshield	4
9	1EK7070100	windshield rubber	4

13 CHAND



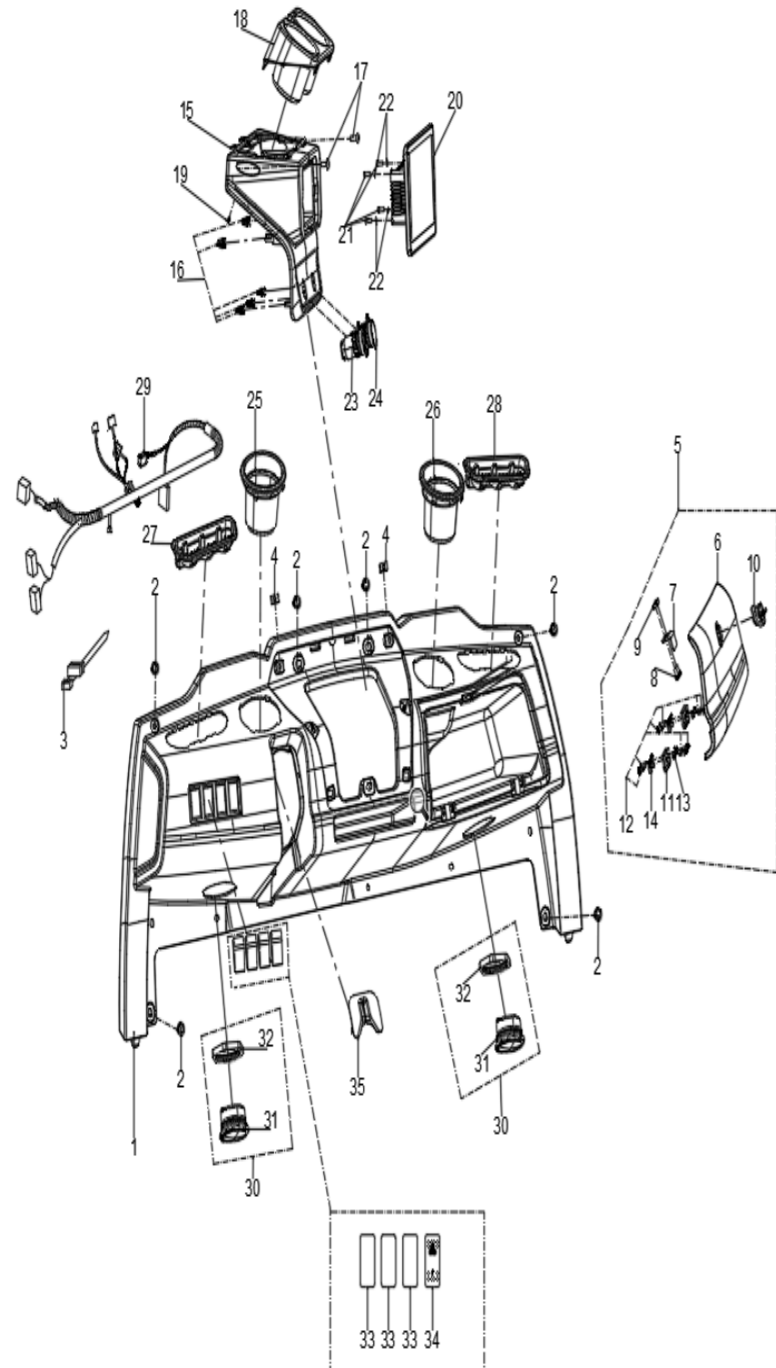
REF	PART #	PART NAME	QTY
1	1EK6019100	Front bumper	1
2	1EK6015100	Front pedal	1
3	9276360160111300	Screw M6x16	13
4	9312306000106301	Spring Nut M6 (QC/T 608)	3
5	1EK6017100	Left side panel	1
6	1EK6018100	Right side panel	1
7	1EK6092000	plastic anchor bolt	8
8	1EK8070000	Main cable (48V lithium battery)	1
9	3MU8051200	Circular zip tie mounting base	13
10	9928042000000000	Tie L=4x200	20
11	1EK5014500	Footstep cover plate	1
12	1EK6090000	Doormat	1
13		plastic anchor bolt (∅8x18.8)	5
14	1EK6091000	plastic anchor bolt (∅8x14.4)	9
15	1MU8020800	Flasher Relay ASSY	1
16	1MU8091000	Reverse Relay ASSY	1
17	4EG801701002	5-pin relay(G8HN-1C4T-RH)	2
18	1EK8051200	Induction PEK key ( JC-171)	2
19	1EK8051300	One-key start controller (JC-945)	1
20	9312305000106300	Spring Nut M5 (QC/T 608)	1
21	9214350120011300	Bolt M5x12 (GB/T 818 )	1
22	1MU618010002	DAMPER,PLATE LOWER	2
23	1EK8210000	Vehicle-mounted charger (48V20A)	1
24	1EK8240000	Left mounting bracket	1
25	1EK8230000	Right mounting bracket	1
26	9184306012161300	BOLT M6x12 (GB/T 16674.1)	8

14 COWLING

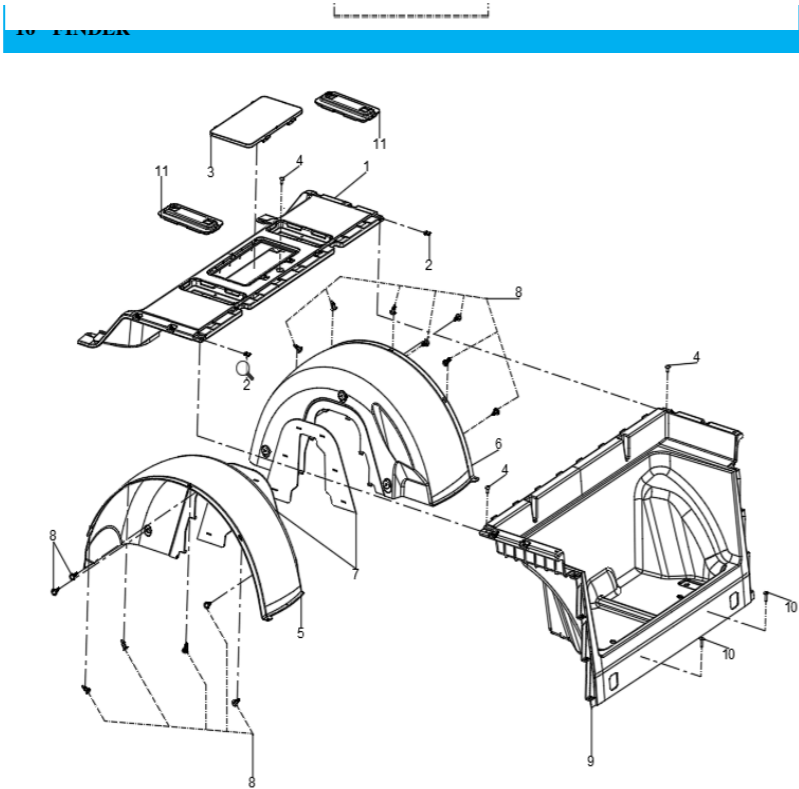


REF	PART #	PART NAME	QTY
1	1EK6011100	Front cover	1
2	1EK6011200	Front grille trim	1
3	1EK6032100	Plastic type A snap-in fastener	4
4	1EK6092000	plastic anchor bolt	7
5	1EK6011300	Left A-column hole cover plate	1
6	1EK6011400	Right A-column hole cover plate	1
7	1EK8011000	left front headlight	1
8	1EK8012000	Right front headlight	1
9	9312306000106301	Spring Nut M6 (QC/T 608)	8
10	9184306012161300	BOLT M6×12 (GB/T 16674.1)	8
11	1EK5080400	A column	2
12	9186308020261300	BOLT M8×20 (GB/T 5789)	4
13	1MU708720001	25×25 plug	2
14	9276360160111300	Screw M6×16	1

15 INSTRUMENT TABLE

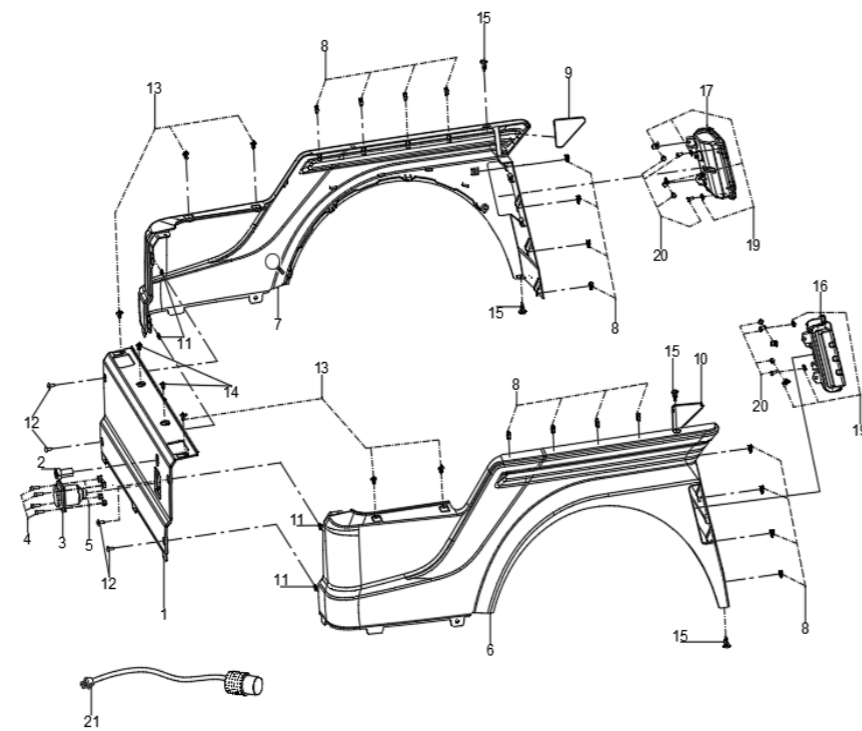


REF	PART #	PART NAME	QTY
1	1EK6014100	dashboard	1
2	1EK6092000	plastic anchor bolt	6
3	3MU7283700	tyrap	3
4	9312306000106301	Spring Nut M6 (QC/T 608)	2
5	1EK6014000	Lid component of storage box	1
6	1EK6014300	Lid of storage box	1
7	1EK6014900	Storage box lock plate	1
8	9214350120011300	Bolt M5x12 (GB/T 818 )	2
9	9320305008202300	NUT M5 (GB/T 6177.1 )	2
10	3MU6019200	Knob lock	1
11	3MU6019400	Hinge	2
12	9254350120101300	Bolt M5x12 (GB/T 819.1)	8
13	9320305008202300	NUT M5 (GB/T 6177.1 )	4
14	9312305000106300	Spring Nut M5 (QC/T 608)	4
15	1EK6014400	Central console	1
16	1EK6032100	Plastic type A snap-in fastener	5
17	9276360160111300	Screw M6x16	2
18	1EK6014800	Middle cup holder	1
19	9271339095006300	SCREW ST3.9x9.5(GB/T 845)	1
20	1EK8032000	Large screen display	1
21	9214350120011300	Bolt M5x12 (GB/T 818 )	4
22	9402305000031300	WASHER 5 (GB/T 96.1)	4
23	3MU7283500	USB cable	1
24	3MD8096000	Charging socket	1
25	1EK6014500	Left cup holder	1
26	1EK6014700	Right cup holder	1
27	1EK6031110	Left ball support	1
28	1EK6032110	Right ball support	1
29	1EK8071000	Dashboard electrical connection wire	1
30	1EK8056000	audio components	2
31	1EK6036000	audio	2
32	1EK6037000	Acoustical cover nut	2
33	1MU6014500	Switch Cover	3
34	3MU8054000	Emergency switch	1
35	1EK6014600	Column decoration skin	1



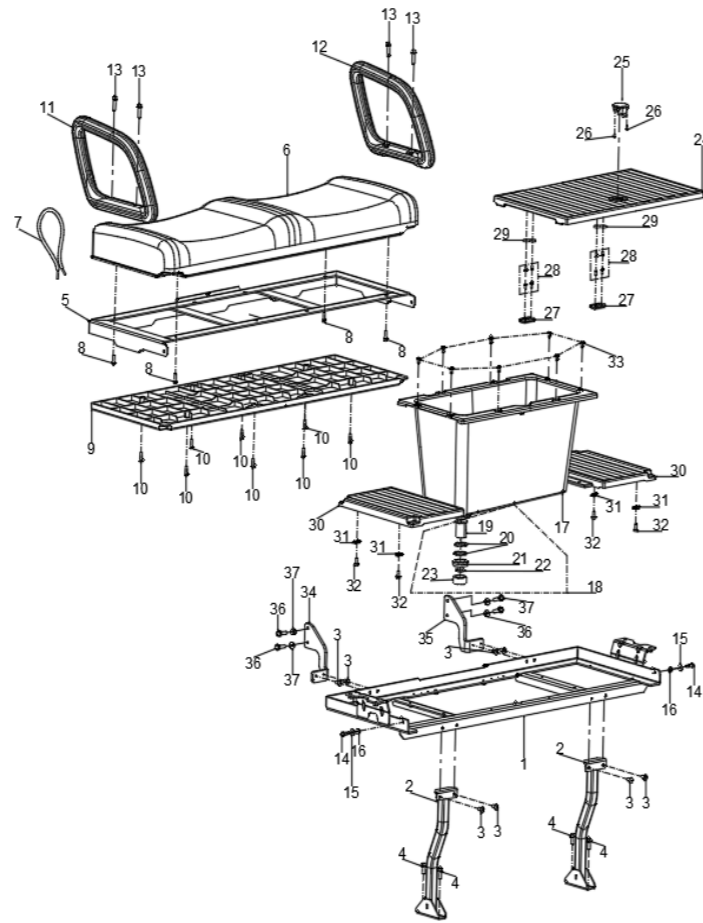
REF	PART #	PART NAME	QTY
1	1EK5091000	rear top cover	1
2	9312306000106301	Spring Nut M6 (QC/T 608)	2
3	1EK5098000	Maintenance cover plate	1
4	9276360160111300	Screw M6x16	3
5	1EK6027100	Left fender	1
6	1EK6029100	Right fender	1
7	1EK6028110	fender liner	2
8	1EK6092000	plastic anchor bolt	14
9	1EK5096000	After hold	1
10	9276360250111300	Screw M6x25	2
11	1EK6011500	Triangular support cover	2

#### 17 SIDE COVER



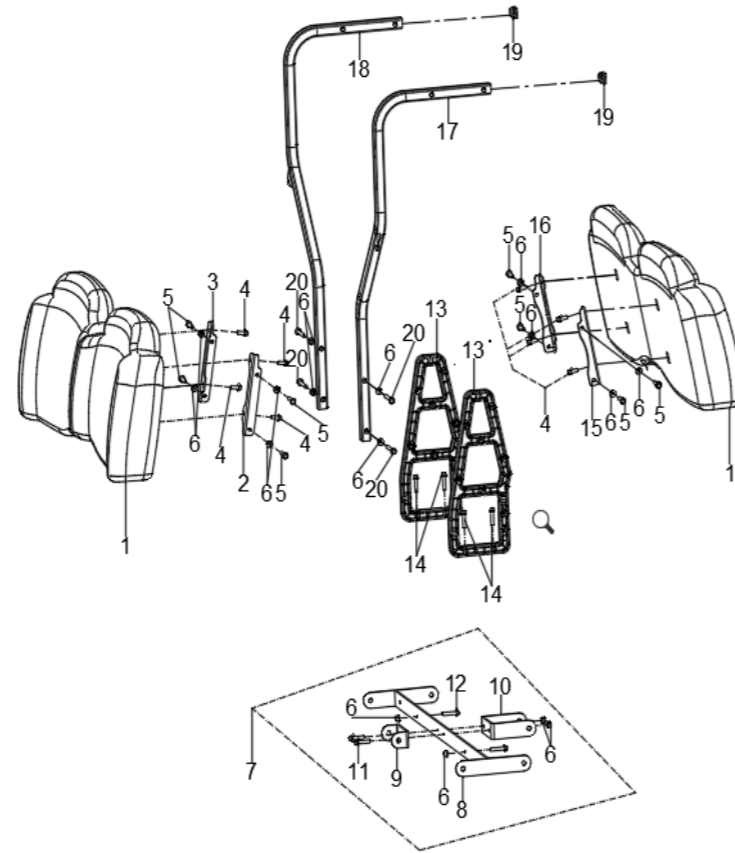
REF	PART #	PART NAME	QTY
1	1EK6023100	Front seat panel	1
2	1EK8063000	Charging display	1
3	1EK8220000	Charging cable socket	1
4	9218306020362300	SCREW M6x20 (GB/T 70.1 )	4
5	9330306010141300	NUT M6 (GB/T 6187.1)	4
6	1EK6024100	Left side of the seat	1
7	1EK6025100	Right side of the seat	1
8	1EK6032100	Plastic type A snap-in fastener	16
9	1EK6034000	Left rear trim piece	1
10	1EK6035000	Right rear trim piece	1
11	9312306000106301	Spring Nut M6 (QC/T 608)	4
12	9276360160111300	Screw M6x16	4
13	1EK6091000	plastic anchor bolt (∅8x18.8)	6
14	1EK6093000	plastic anchor bolt (∅8x14.4)	2
15	1EK6092000	plastic anchor bolt	4
16	1EK8015000	Left tail light	1
17	1EK8016000	Right tail light	1
18	3MU7283700	tyrap	6
19	9312306000106301	Spring Nut M6 (QC/T 608)	8
20	9184306012161300	BOLT M6x12 (GB/T 16674.1)	8
21	1EK8230300	Charging cable plug	1

18 Reverse flip



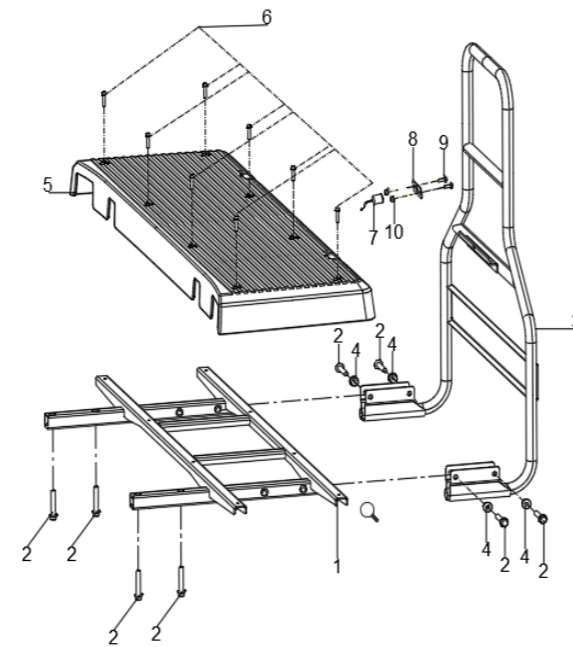
REF	PART #	PART NAME	QTY
1	1EK5090100	Flip-over base	1
2	1EK5092000	Rear flipped base support bracket	2
3	1EK9010300	M8x15 Hex socket cap screw	8
4	9184308022281300	BOLT M8x22 (GB/T 16674.1)	4
5	1EK5093000	Rear seat cushion mounting base frame	1
6	1EK5301000	Rear seat cushion	1
7	1EK8120100	Flip the hand-pull cord	1
8	9184306020361300	BOLT M6x20 (GB/T 16674.1)	4
9	1EK5094000	Rear section of the flipped lid	1
10	9250306025361300	screw M6x35 (GB/T70.3)	8
11	1EK5203000	Left rear handrail	1
12	1EK5204000	Right rear handrail	1
13	9184308030261300	BOLT M6x12 (GB/T 16674.1)	4
14	1EK9010100	Rear flipped step bolt	2
15	1EK9010200	Nylon gasket 8*18*3.5	2
16	9330306010141300	NUT M6 (GB/T 6187.1)	2
17	1EK6033000	ice bucket	1
18	1EK6039000	Ice bucket drain plug assembly	1
19	1EK6039100	Drain pipe	1
20	1EK6039200	Rubber Washer	2
21	1EK6039300	NUT	1
22	1EK6039400	Flat Washer	1
23	1EK6039500	End cover nut	1
24	1EK5099000	Ice bucket lid	1
25	1EK5099100	buckle	1
26	9214350120011300	Bolt M5x12 (GB/T 818 )	2
27	3MU6019400	Hinge	2
28	9254350120101300	Bolt M5x12 (GB/T 819.1)	8
29	1EK9040100	Square nut	4
30	1EK5097000	Front section of the cover	2
31	9312306000106301	Spring Nut M6 (QC/T 608)	4
32	9276360160111300	Screw M6x16	4
33	9276360250111300	Screw M6x25	8
34	1EK5090500	Reverse left connecting plate	1
35	1EK5090600	Reverse right connecting plate	1
36	9184308050261300	BOLT M8x50 (GB/T 16674.1)	4
37	9330308013241300	NUT M8 (GB/T 6187.1)	4

19 Reverse flip



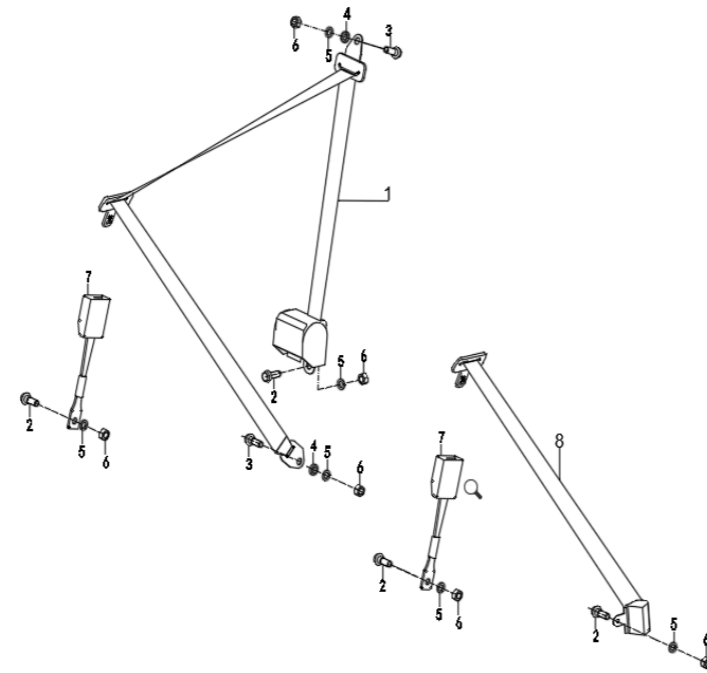
REF	PART #	PART NAME	QTY
1	1EK5820000	Backrest	2
2	1EK5830200	left backrest connector	1
3	1EK5830300	right backrest connector	1
4	9186308020261300	BOLT M8x20 (GB/T 5789)	8
5	9184308040261300	BOLT M8x40 (GB/T 16674.1)	8
6	9330308013241300	NUT M8 (GB/T 6187.1)	16
7	1EK5841000	Seat belt bracket assembly	1
8	1EK5841100	Seat belt mounting bracket	1
9	1EK5841200	Front panel mounting board	1
10	1EK5841300	Rear panel socket mounting board	1
11	9184308030261300	BOLT M8x30 (GB/T 16674.1)	2
12	9184308040261300	BOLT M8x40 (GB/T 16674.1)	2
13	1EK5830100	Backrest triangular bracket	2
14	9184308035261300	BOLT M8x35 (GB/T 16674.1)	4
15	1EK5820100	Left backrest connector board	1
16	1EK5820200	Right backrest connector board	1
17	1EK5088000	Left B column	1
18	1EK5087000	Right B column	1
19	1MU708720001	25X25 Plug	2
20	9184308065261300	BOLT M8x65 (GB/T 16674.1)	4

20 Rear step



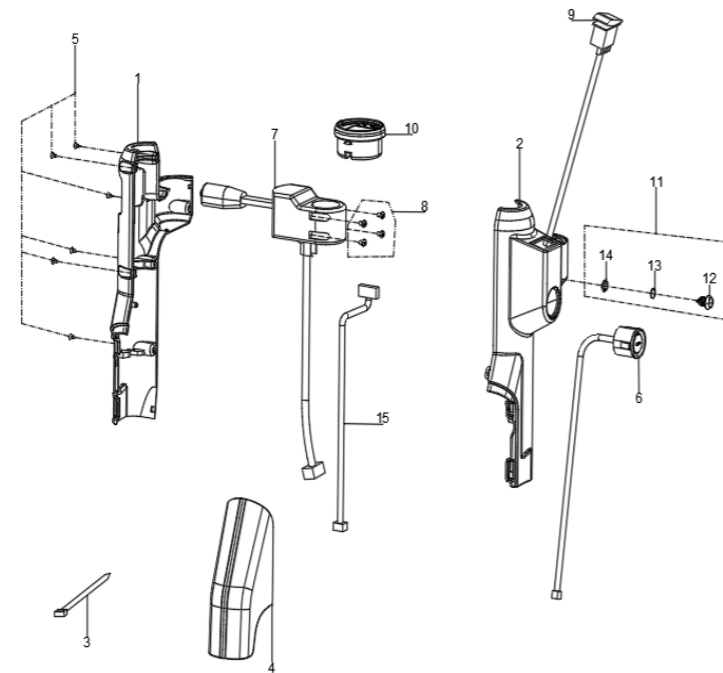
REF	PART #	PART NAME	QTY
1	1EK5060000	Rear step welding component	1
2	9184310055283200	BOLT M10x1.25x55 (GB/T 16674.1)	8
3	1EK5070000	Rear handrail welding component	1
4	9330310015263200	NUT M10x1.25 (GB/T 6187.2)	4
5	1EK5095000	Rear step	1
6	9186306025161300	BOLT M6x25 (GB/T 5789)	8
7	1EK7282100	Camera	1
8	1EK5814300	Camera mounting board	1
9	9276360160111300	Screw M6x16	2
10	9330306010141300	NUT M6 (GB/T 6187.1)	2

21 SEAT BELT



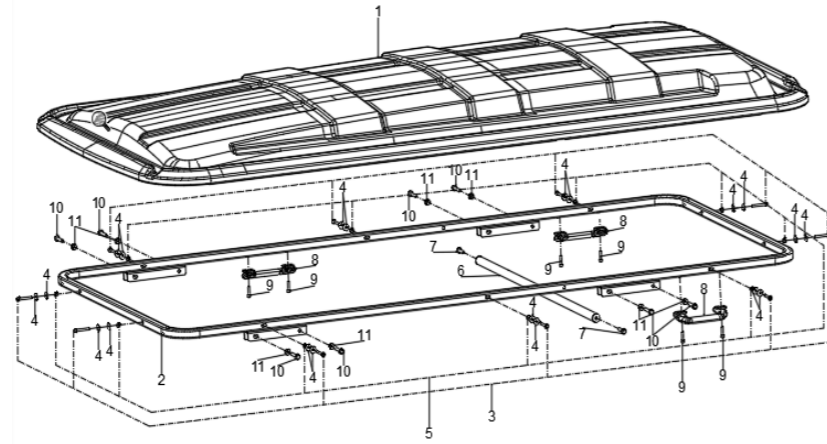
REF	PART #	PART NAME	QTY
1	1EK5842000	Three-point safety belt	2
2	1MU7150700	Bolt 7/16×25	8
3	1MU7150900	Bolt 7/16×35	4
4	1MU7150600	Washer	4
5	1MU7150200	Spring Washer	12
6	1MU7150400	Nut 7/16	12
7	1EK5843000	Belt Lock ASSY	4
8	1EK5852000	Two-point safety belt	2

22 Casing protector



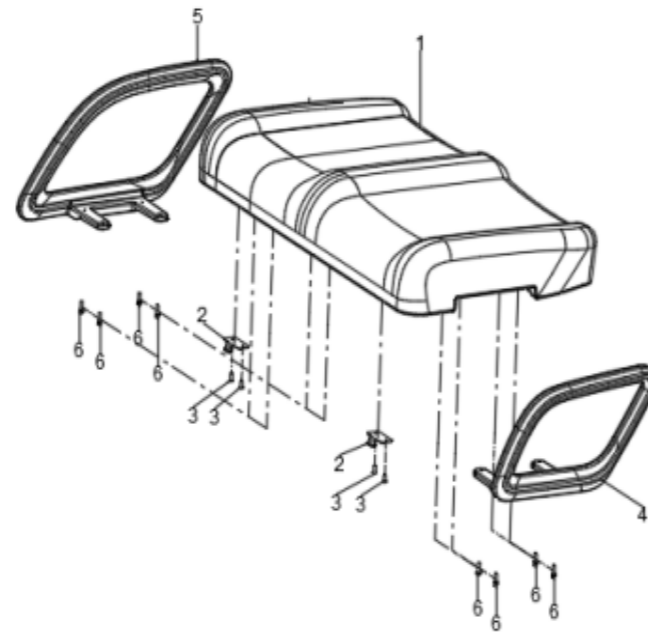
REF	PART #	PART NAME	QTY
1	1EK5183000	Left pipe column protector	1
2	1EK5184000	Right pipe column protector	1
3	9928042000000000	Tie L=4×200	4
4	1EK5185000	Below the pipe column protector	1
5	9271339095006300	SCREW ST3.9×9.5(GB/T 845)	6
6	1EK8051100	One-key start button (blue light) JC-011	1
7	1EK8052000	Combination switch	1
8	1EK8052100	SCREW M5×20	2
9	1EK8057000	Gear switch	1
10	1EK8034000	Instrument (HXYB-827)	1
11	1EK8033000	Small instrument key combination	1
12	1EK8033100	Small instrument button	1
13	1EK8033200	O-ring	1
14	1EK8033300	Nut	1
15	1EK8072000	Instrument connecting cable	1

23 ROOF



REF	PART #	PART NAME	QTY
1	1EK7061000	ROOF	1
2	1EK7062000	Roof frame welding components	1
3	9186306045161300	BOLT M6x45 (GB/T 5789)	10
4	1MR2358900	WASHER 6x20x2	20
5	9330306010141300	NUT M6 (GB/T 6187.1)	10
6	1EK7063000	Roof frame beam	1
7	9184308040261300	BOLT M8x40 (GB/T 16674.1)	2
8	1EK6038000	Roof handrail	3
9	9218260250100000	SCREW M6x25 (GB/T 70.1 )	6
10	9186308045261300	BOLT M8x45 (GB/T 5789)	8
11	9330308013241300	NUT M8 (GB/T 6187.1)	8

24 SEAT ASSY



REF	PART #	PART NAME	QTY
1	1EK5810000	Front seat cushion assembly	1
2	1EK5814000	Seat hinge	2
3	9250306016361300	screw M6x35 (GB/T70.3)	4
4	1EK5201000	Front left handrail	1
5	1EK5202000	Front right handrail	1
6	9184306020361300	BOLT M6x20 (GB/T 16674.1)	8