

Goggo

Cruise E4

OWNER'S MANUAL

CONTENTS

CONTENTS.....	2
1. WELCOME TO THE GOGGO CRUISE E4.....	4
Before You Operate or Service the Golf Cart.....	4
Safety Messages and Warning Labels.....	4
Warning Labels on the Golf Cart.....	5
Important Information About This Manual.....	5
2. IMPORTANT LABELS.....	6
Labels and Their Locations.....	6
Label Quick Reference.....	8
Location Map for Attaching Safety Warning Labels.....	8
3. OPERATOR SAFETY.....	9
Before Operating the Golf Cart.....	9
While Operating the Golf Cart.....	9
Weather and Environmental Safety.....	10
Battery Safety.....	10
4. MAINTENANCE SAFETY PROGRAM.....	11
Driver Qualifications.....	11
Maintenance Required for Golf Cart Safety.....	11
Battery Charging and Ventilation of Electric Vehicles.....	12
Safety Precautions During Maintenance.....	12
Safety Precautions After Maintenance.....	12
Maintenance Records and Documentation.....	13
Storage and Battery Charging Safety.....	13
5. CONTROLS AND INDICATORS.....	14
Vehicle Characteristics.....	14
Keyless Start System.....	16
Drive Selection Switch (F/N/R).....	17
Using the Drive Selection Switch.....	17
Reversing the Vehicle.....	18
Parking and Powering Off the Vehicle.....	18
Accelerator Pedal and Brake Pedal.....	18
Parking Brake.....	19
Instrument Display and Smart Screen.....	20
Smart Screen – Button and Function Overview.....	22
Bluetooth Connection Guide for the Smart Screen.....	23
Combination Switch (Horn, Lights, and Turn Signals).....	25
Steering Column Adjustment.....	26
6. IMPORTANT SIGNS and IDENTIFICATION.....	28
7. PRE-OPERATION CHECKS.....	30

Pre-Operation Checklist.....	30
Daily Operational Checklist.....	33
General Inspection.....	33
8. DRIVING THE VEHICLE.....	35
Before You Start.....	35
Starting the Vehicle.....	35
While Driving.....	35
Important Safety Rules.....	36
Parking and Leaving the Vehicle.....	36
9. MAINTENANCE.....	37
Vehicle Maintenance Overview.....	37
Important Maintenance Safety Information.....	37
Regular Maintenance Chart.....	38
Battery System Overview.....	38
Lithium Battery.....	39
Fuse Replacement.....	41
Transmission Maintenance.....	43
Wheel Replacement.....	44
Brake Adjustment.....	44
10. VEHICLE STORAGE.....	46
Long-Term Vehicle Storage.....	46
11. VEHICLE SPECIFICATIONS.....	47
APPENDIX A.....	48
Golf Course Hazard Prevention.....	48

1. WELCOME TO THE GOGGO CRUISE E4

Thank you for choosing the Goggo Cruise. Your comfort and safety are our top priorities.

Before operating the golf cart, please read and follow the instructions and safety information in this manual.

Reading this manual helps you:

- Operate the golf cart correctly
- Avoid damage to the golf cart
- Reduce the risk of personal injury or accidents

This manual applies to the following vehicle models:

Goggo Cruise E4 2+2 Non-lifted	1EK
Goggo Cruise E4 Cargo Non-lifted	2EK
Goggo Cruise E4 2+2 Lifted	1EH
Goggo Cruise E4 Cargo Lifted	2EH

Before Operating or Servicing the Golf Cart

- **Read this entire manual before driving or servicing the golf cart.**
- Failure to follow these instructions may result in **property damage, serious injury, or death.**
- Always follow the operating procedures and safety precautions described in this manual.

Safety Messages and Warning Labels

This manual uses the following signal words and labels to highlight important safety information. Pay close attention to these messages and the warning labels on the golf cart.

Safety Signal Words

DANGER

Indicates an **extremely hazardous situation.**

Failure to follow these instructions **will result in serious injury or death.**

WARNING

Indicates a potentially hazardous situation.

Failure to follow these instructions **may result in serious injury or death to passengers, bystanders, or service personnel.**

CAUTION

Indicates a situation that may cause **damage to the golf cart or property.**

NOTE

Provides helpful tips or important information to improve understanding or operation.

Warning Labels on the Golf Cart

- Always read and follow the warning labels placed on the golf cart.
 - If any safety label becomes damaged, faded, or unreadable, **replace it immediately.**
 - Contact your dealer or Goggo representative if replacement labels are needed.
-

Important Information About This Manual

Goggo is dedicated to continuously improving product design and quality. While this manual contains the latest product information available at the time of printing, your golf cart may differ slightly from the illustrations or descriptions in this manual.

If you have any questions about this manual or your golf cart, please contact your authorized dealer for assistance.

This manual is a **permanent part of the golf cart** and should remain with the vehicle if it is sold or transferred.

Always read and fully understand this manual before operating the golf cart.

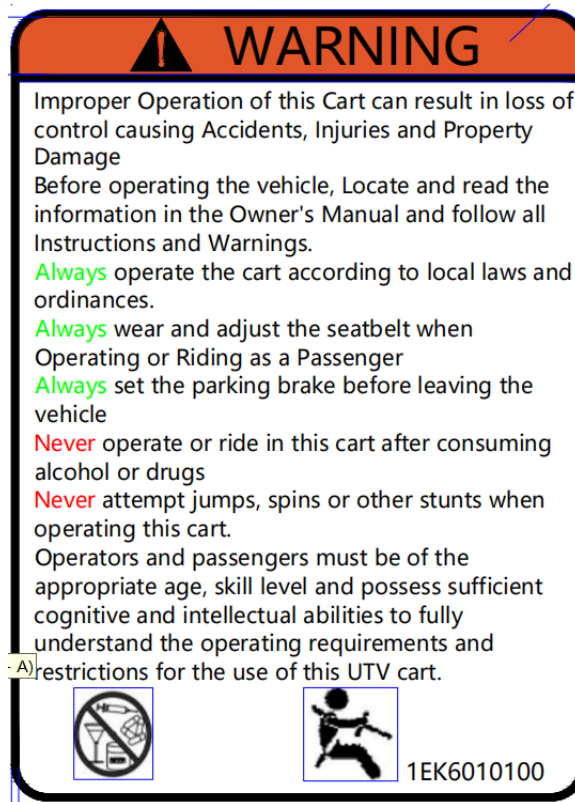
2. IMPORTANT LABELS

Goggo golf carts are equipped with safety and instruction labels designed to help you operate the vehicle safely. Before driving, take a moment to locate and read each label.

Labels and Their Locations

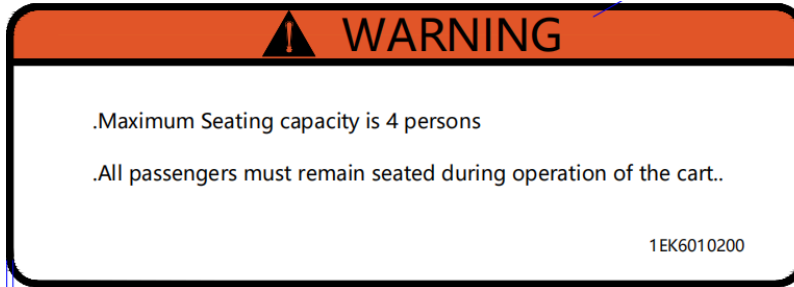
1. Operating Instructions

Located on the **left side of the dashboard**



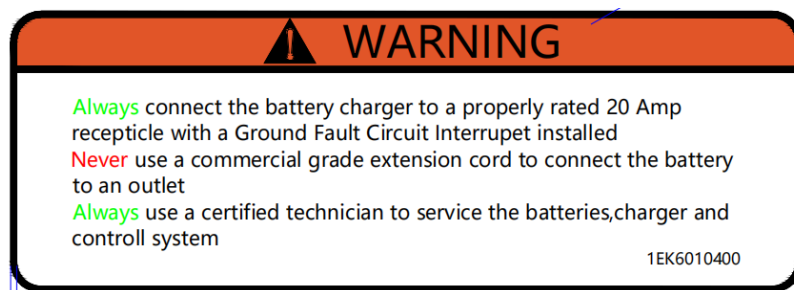
2. Crew and Passenger Instructions

Located on the **right side of the dashboard** (under the windshield)



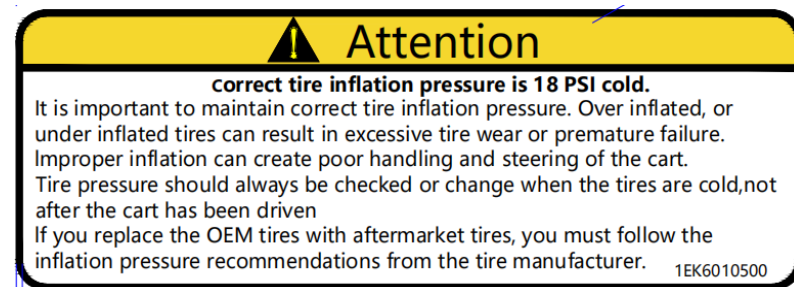
3. Charging Indicator Label

Located next to the **charging port** on the front panel



4. Tire Pressure and Load Indicator Label

Located on the **left side panel**



WARNING

- **Read all labels carefully before operating the golf cart.**
- These labels provide important safety, operating, and maintenance information.
- **Replace any damaged, faded, or missing labels immediately** to ensure continued safe operation.

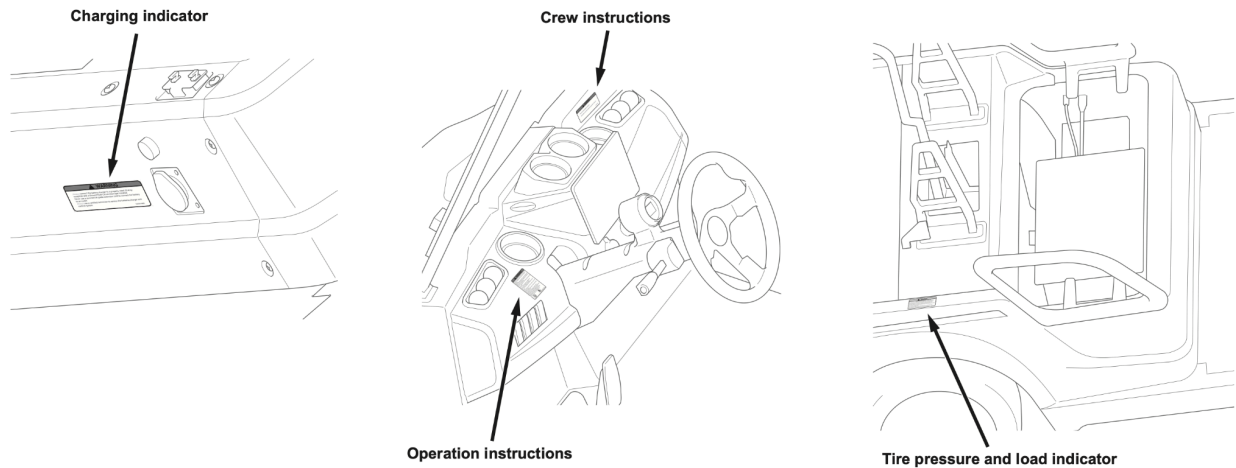
Contact your dealer or Goggo representative if replacement labels are required.

Label Quick Reference

Label	Description	Location
Operating Instructions	Basic operation guidance	Left side of the dashboard
Crew & Passenger Instructions	Passenger safety information	Right side of the dashboard (under the windshield)
Charging Indicator	Charging and power information	Next to the charging port on the front panel
Tire Pressure & Load	Tire pressure and maximum load limits	Left side panel

Location Map for Attaching Safety Warning Labels

The following illustration shows the locations of the four (4) labels (**Figure 1**). When replacing labels, attach them according to the guide below.



Locations of the Safety Warning Labels (Figure 1)

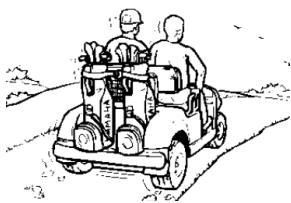
3. OPERATOR SAFETY

Following these safety guidelines helps protect the driver, passengers, and others around the golf cart during operation.

Before Operating the Golf Cart

- **Read this manual and all safety labels.**
Before driving, read the owner's manual and all safety and instruction labels on the golf cart.
 - **Complete the pre-operation check.**
Perform the inspection described in [Section 7](#) of this manual before each use.
 - **Authorized drivers only**
Only authorized individuals may operate the golf cart. Always enter and exit from the driver's side and operate the cart only in designated areas.
 - **Follow passenger limits**
Do not exceed the maximum number of passengers (including the driver) for your vehicle model. Refer to "**Seating Capacity**" specified in [Section 11](#) of this manual.
 - **Never drive under the influence.**
Do not operate the golf cart while under the influence of alcohol or drugs. These substances impair vision, reaction time, and judgment.
 - **Do not use on public roads.**
Golf carts are not designed for public streets, roads, or highways. Operation on public roads is prohibited by law and may result in collisions with other vehicles.
-

While Operating the Golf Cart



- **Remain seated at all times**
Keep your entire body inside the golf cart at all times. Stay seated and hold on while the vehicle is moving.
- **Wait until everyone is seated**
Do not start the golf cart until all passengers are properly seated.

- **Stay alert and in control**
Keep both hands on the steering wheel and your eyes on the path ahead.
 - **Exercise caution when driving, especially in tight areas**
Drive slowly in congested areas and when reversing. Always look carefully before backing up.
 - **Avoid sudden movements**
Start and stop smoothly. Adjust your speed to match the terrain and course conditions.
 - **Turn carefully at higher speeds**
Avoid sharp steering inputs when traveling at higher speeds.
 - **Exercise caution on slopes**
Drive slowly up or down inclines and hilly terrains. Avoid sudden turns or tilting the vehicle on slopes.
 - **Do not modify the vehicle.**
Do not make changes or additions that affect passenger capacity, safety systems, or compliance with this manual.
-

Weather and Environmental Safety

Goggo vehicles **do not protect** passengers against lightning, flying debris, or storm-related hazards.

If you encounter a storm while driving or riding your vehicle:

- **Stop** the vehicle.
 - **Exit** the cart.
 - **Seek shelter** in a safe location.
-

Battery Safety

WARNING

Explosion/ fire hazard!

- **No smoking** near batteries and charging areas.
- Keep vehicles and maintenance areas **away from sparks and open flames.**
- Ensure **proper ventilation** when charging or operating the vehicle in enclosed spaces.
- When working on or near batteries, wear:
 - A full face shield
 - Rubber protective gloves

4. MAINTENANCE SAFETY PROGRAM

Golf carts are safe when they are operated and maintained correctly. Improper use or maintenance can result in injury or damage.

This section outlines the safety practices required for operating and maintaining Goggo Cruise golf carts. **It is intended for:**

- Individual owners
 - Consumers
 - Renters or short-term users
 - Resort guests
 - Non-golf course environments (e.g., campuses, communities, facilities)
-

Driver Qualifications

- Allow **only authorized individuals** to operate the golf cart.
- It is recommended that operators hold a **valid driver's license**.

⚠ WARNING

DO NOT OPERATE GOLF CARTS UNDER THE INFLUENCE OF ALCOHOL OR DRUGS

Maintenance Required for Golf Cart Safety

Follow these practices to help ensure safe operation:

- **Regular Preventive Maintenance**
Perform all scheduled maintenance according to manufacturer recommendations.
 - **Qualified Personnel Only**
Allow only trained, qualified, and authorized personnel to inspect, adjust, and maintain the golf cart.
 - **Approved Parts and Materials**
Use only replacement parts and materials recommended by the manufacturer.
 - **Proper Ventilation**
Ventilate all maintenance and storage areas in accordance with applicable fire codes and ordinances to prevent fire and explosion hazards.
-

Battery Charging and Ventilation of Electric Vehicles

Electric golf carts may produce **hydrogen gas during the charging process**, which is highly flammable. The amount of hydrogen gas emitted during charging depends on several factors, including:

- The condition of the batteries
- The output rate of the battery charger
- The amount of time the batteries are charging

When charging:

- Ensure proper ventilation
- A minimum of **five (5) air changes per hour** is recommended

⚠ WARNING

Hydrogen gas rises and can collect near ceilings, creating explosion hazards. Consult applicable fire and safety codes for:

- Ventilation requirements
 - Explosion-proof electrical equipment standards
-

Safety Precautions During Maintenance

When performing maintenance or repairs:

- **Immobilize the golf cart** before beginning work.
- **Block the chassis securely** before working underneath the golf cart.
- **Keep fire protection equipment** readily available.
- **Disable the electrical system** before working on electric golf carts.
- **Use only properly insulated tools** when working near batteries.
- **Maintain all safety devices** (brakes, steering mechanisms, governors, warning systems).
- **Do not modify safety devices** supplied by the manufacturer.

Safety Precautions After Maintenance

After performing maintenance or repairs:

- **Only a qualified, trained, and authorized person** may **test drive** the golf cart.
 - **Perform test drives** in areas **free of pedestrian traffic**.
 - **Confirm proper operation and adjustment** before returning the cart to service.
-

Maintenance Records and Documentation

- Record all maintenance activities, including:

- Date
 - Name of maintenance personnel
 - Type of maintenance performed
 - Review maintenance logs regularly for completeness and accuracy.
 - Use operator comment cards to identify non-routine maintenance needs.
 - Keep nameplates, warning labels, and instruction labels **clean and legible**.
 - Contact your Goggo Cruise dealer if replacement nameplates and labels are required.
-

Storage and Battery Charging Safety

To protect maintenance personnel:

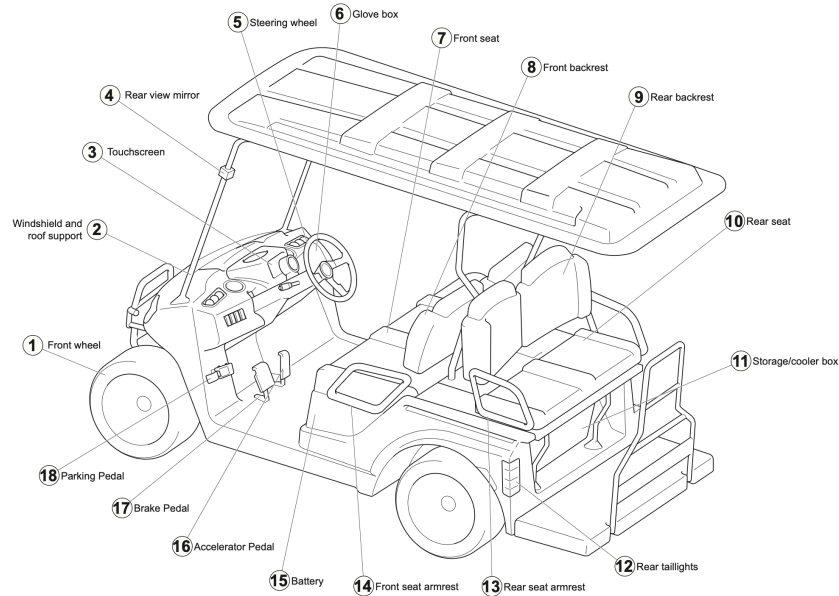
- Use only battery changing and charging procedures that comply with applicable laws and regulations.
- Inspect charging facilities regularly to ensure safety codes, regulations, and procedures are followed.

5. CONTROLS AND INDICATORS

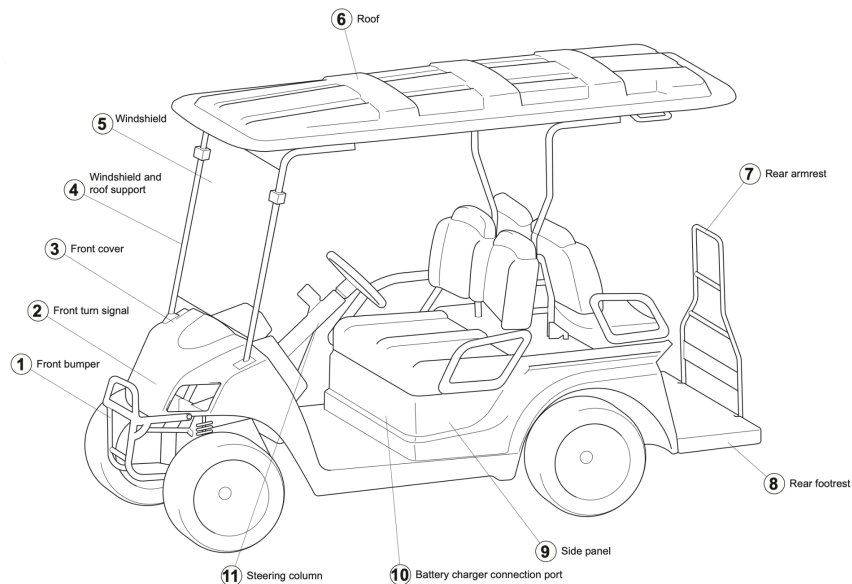
Before driving, make sure the driver is familiar with **all controls, indicators, and operating procedures**. If the vehicle is rented or loaned to another person, review this chapter with them before allowing operation.

Vehicle Characteristics

Figures 2 and 3 below show an overview of your vehicle's main features:



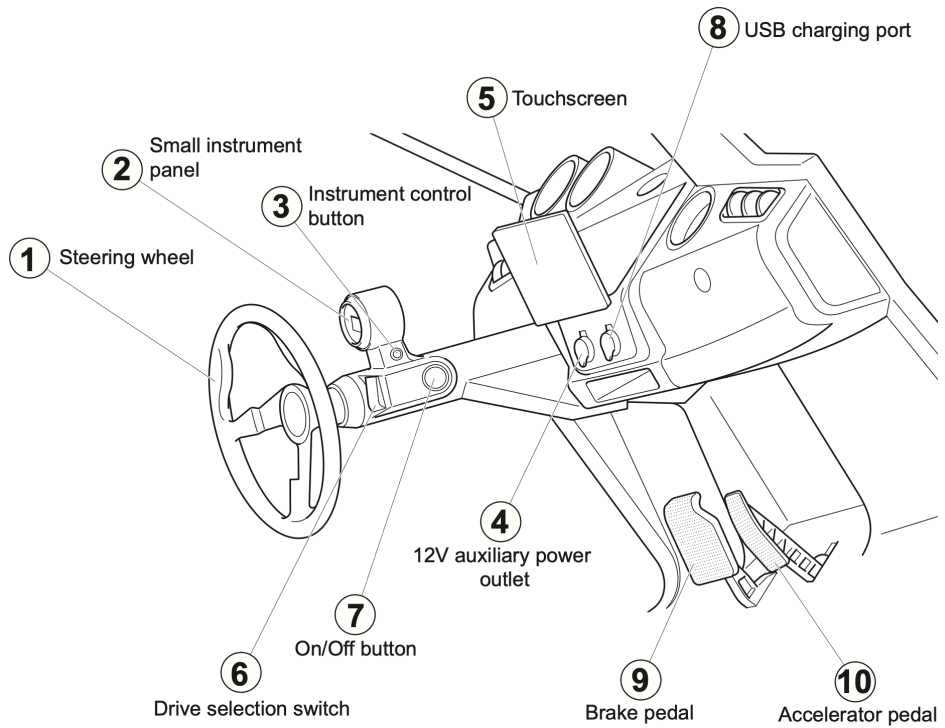
Vehicle Characteristics (Figure 2)



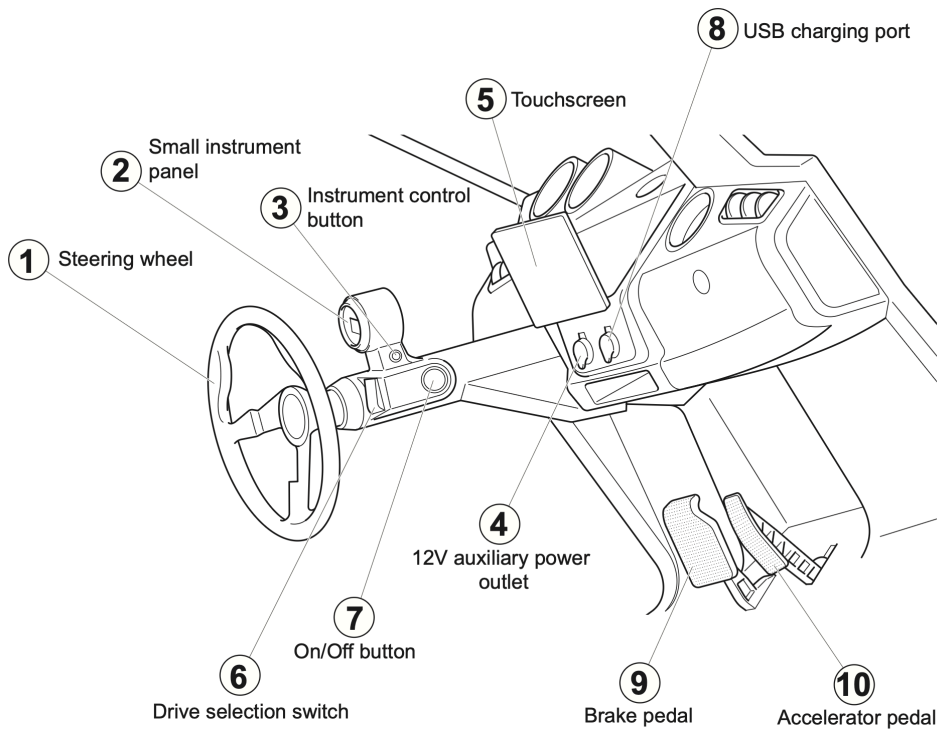
Vehicle Characteristics (Figure 3)

Vehicle Handling

Figures 4 and 5 show your vehicle's controls and indicators for vehicle handling:



Vehicle Controls and Indicators (Figure 4)



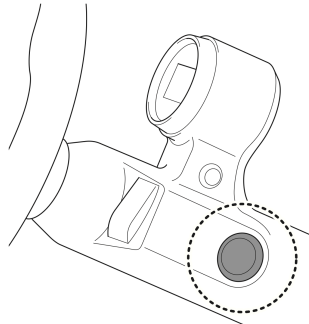
Vehicle Controls and Indicators (Figure 5)

Keyless Start System

Your Goggo Cruise golf cart includes a remote key, an essential feature that greatly improves overall convenience when using your vehicle.

⚠ NOTE:

The One-Key Start button is located on the steering column guard beneath the steering wheel. **Figure 6** below shows the location of the button.



One-Key Start Button (Figure 6)

Preparing to Use and Starting the Golf Cart

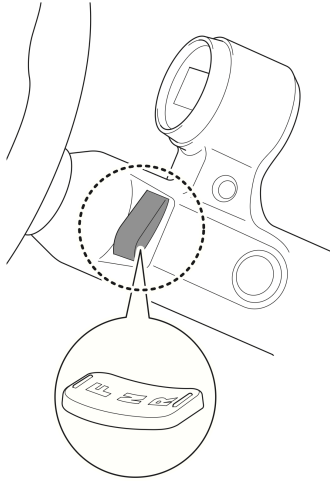
- **Step 1: Have the remote key ready for use**
To operate the golf cart, have the remote key ready and prepare to unlock the vehicle.
- **Step 2: Unlock the vehicle**
Press the unlock button on the remote key within approximately **100 feet** of the vehicle.

You will hear a beep, and the One-Key Start button will light up blue, indicating the power is on.

- **Step 3: Approach the vehicle**
The system will detect the remote key within approximately 5 feet.
 - **Step 4: Start the vehicle**
Press the One-Key Start button on the remote key to start the golf cart.
-

Drive Selection Switch (F/N/R)

Figure 7 shows the location of the Drive Selection Switch on the steering column below the steering wheel.



Drive Selection Switch (Figure 7)

It is clearly labeled as:

- **F (Forward)**
The vehicle moves forward when the accelerator is pressed.
- **R (Reverse)**
The vehicle moves backward when the accelerator is pressed. A warning buzzer will sound.
- **N (Neutral)**
Power is disengaged, and the vehicle will not move when the accelerator is pressed.

The selected gear (F, N, or R) is shown on both the instrument panel and the smart screen.

Using the Drive Selection Switch

- **⚠ CAUTION**
Always bring the vehicle to a **complete stop** before changing gears.
- To stop the vehicle, release the accelerator pedal first, then press the brake pedal firmly until the vehicle stops.
- Never shift between **Forward (F)** and **Reverse (R)** while the vehicle is moving.

⚠ WARNING

Shifting gears while the golf cart is moving may cause injury or damage to the vehicle.

Reversing the Vehicle

When **Reverse (R)** is selected:

- A warning buzzer will sound.
- The smart screen will display detected conditions behind the vehicle.

⚠ NOTE:

Reverse slowly and always check your surroundings carefully.

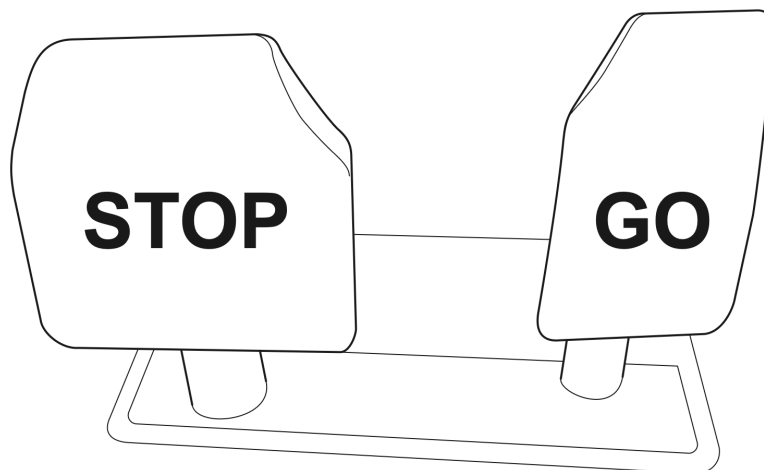
Parking and Powering Off the Vehicle

When exiting and leaving the golf cart:

- Bring the cart to a complete stop.
 - Shift the Drive Selection Switch to **Neutral (N)**.
 - Press and hold the One-Key Start button until you hear a beep and the blue light turns off, or
 - Press the **lock button on the remote key** to shut off the power and lock the vehicle.
 - Apply the [parking brake](#) before exiting the vehicle.
-

Accelerator Pedal and Brake Pedal

Figure 8 shows the two pedals available in your Goggo Cruise golf cart: the **accelerator pedal** and the **brake pedal**.



Accelerator and Brake Pedals (Figure 8)

Accelerator Pedal

- The accelerator pedal is located on the **right side** and is labeled **“GO.”**
- When the **One-Key Start button** is on (i.e., the blue light is on) and the drive selection switch is set to **Forward (F)** or **Reverse (R)**, pressing the accelerator pedal will move the vehicle in the desired direction.
- Press the pedal **gradually** to increase speed smoothly.
- Releasing the accelerator pedal cuts power to the motor and allows the vehicle to slow down.

Brake Pedal

- The brake pedal is the **large pedal on the left side**, labeled **“STOP.”**
 - Press the brake pedal to slow down or bring the vehicle to a complete stop.
-

Parking Brake

CAUTION

When parking the vehicle, remember to engage the parking brake. This keeps the vehicle securely stationary when parked, especially on inclines, and prevents rollaway accidents.

Engaging the Parking Brake

- **Step 1:** Release the accelerator pedal completely.
- **Step 2:** Bring the vehicle to a full stop using the brake pedal.
- **Step 3: Press the parking brake pedal firmly.**

When the parking brake is engaged:

- A **solid red parking indicator light** will appear on the instrument panel.
- The vehicle is **locked** in parking mode, whether the vehicle is powered on or off.

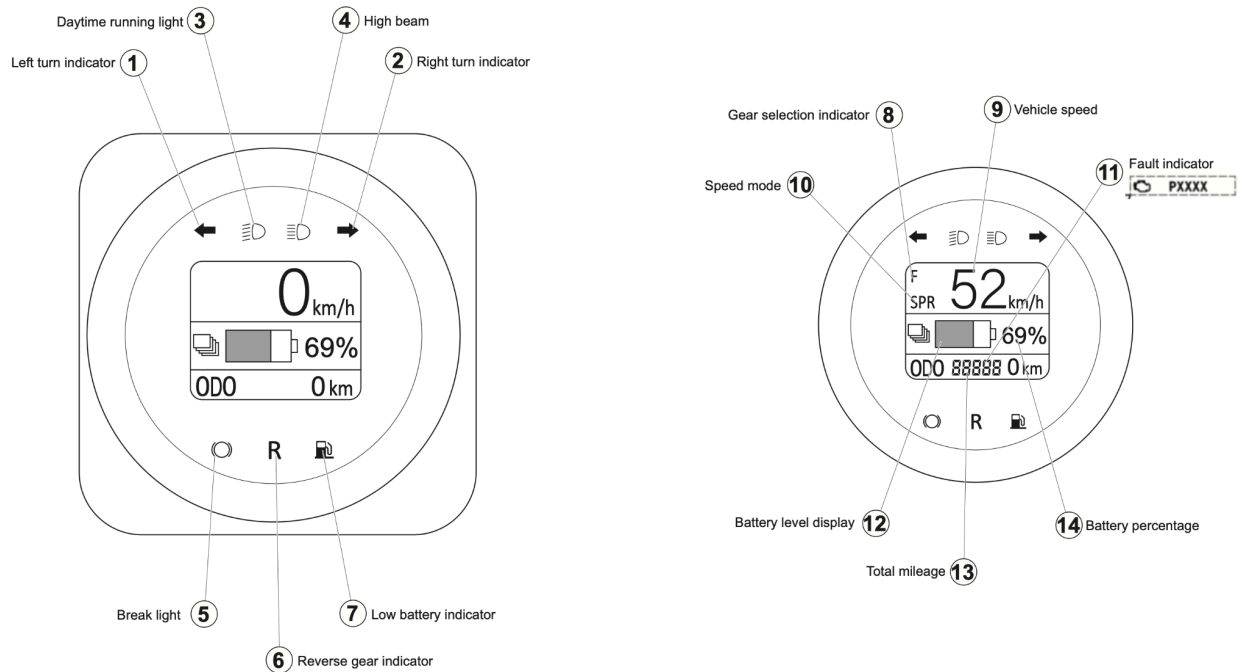
Releasing the Parking Brake

- **Step 1:** Before driving, **press the parking brake pedal again.**
 - **Step 2: The red parking indicator light** will turn off.
 - **Step 3:** The vehicle is now ready for operation.
-

Instrument Display and Smart Screen

The instrument panel and smart screen provide important real-time information about vehicle operation, status, and warnings.

Use these displays to monitor the vehicle while driving (**Figures 9 and 10**).



Instrument Display and Intelligent Screen Display (Figure 9 [left] and 10 [right])

⚠ NOTE:

Each numbered item below corresponds to the numbered locations shown in the above illustration.

- 1. Left Turn Indicator (Green)**
Flashes when the left turn signal is activated.
- 2. Right Turn Indicator (Green)**
Flashes when the right turn signal is activated.
- 3. Daytime Running Light Indicator (Green)**
Indicates that the daytime running lights are on.
- 4. High Beam Indicator (Blue)**
Indicates that the high beam headlights are turned on.

⚠ NOTE:

Switch to low beam when approaching other vehicles or pedestrians.

- 5. Brake Indicator (Red)**
Lights up when the parking brake system is engaged.

⚠ NOTE:

- Before driving, confirm that the parking brake is fully released.
 - If the light remains on while driving, stop the vehicle and inspect it before continuing.
- 6. Reverse Gear Indicator (Orange)**
Indicates that the drive selector is set to **Reverse (R)**.
 - 7. Low Battery Indicator (Orange)**
Lights up when the battery state of charge (SOC) falls below **10%**.
⚠ NOTE:
This is a warning only and is not considered a fault.
 - Reduce speed and avoid steep terrain to conserve power.
 - Consider driving directly to a charging location as soon as possible.
 - 8. Gear Display (F/N/R)**
Displays the selected gear:
 - **F (Forward)** and **N (Neutral)** appear in green
 - **R (Reverse)** appears in orange
 - **⚠ NOTE:**
Confirm the correct gear is selected before pressing the accelerator.
 - 9. Vehicle Speed Display**
Shows the current vehicle speed from **0–99 mph**.
 - 10. Speed Mode Indicator (SPR/ECO)**
Displays the current driving mode, **Sport or Economy mode**. The modes are only switchable by the dealer or manufacturer.
 - 11. Fault Indicator and Fault Code Display**
Displays system faults using an indicator light and a fault code shown in the mileage display area.
Fault codes appear as **"P + four digits"** (example: *P0056*).
Fault Levels:
 - **Level 3:** Fault indicator symbol appears
 - **Level 2:** Fault indicator symbol flashes
 - **Level 1:** Fault indicator symbol flashes, and the vehicle speed display flashes
⚠ NOTE:
SOC low battery is not considered a fault.
Level 1 faults may restrict operation and should be inspected immediately. Stop the vehicle in a safe location, turn off the vehicle, and contact service personnel.
 - 12. Battery Level Display (SOC)**
Displays the current battery state of charge.
 - 13. Total Mileage Display**
Displays total distance traveled from **0–999,999 miles**.
This is the default display. When a fault occurs, the fault code temporarily replaces

the mileage display and automatically returns after the fault is cleared.

14. Charge and Discharge SOC Display

Indicates battery charging and power usage status.

Display Control Button

- **Long press (3 seconds):** Switches between **metric** and **imperial** units (default: imperial).
 - **Short press:** Scrolls through the following information:
 - → **CTK TEMP** – Motor controller temperature
 - → **MTR TEMP** – Motor temperature
 - → **BAT TEMP** – Battery temperature (highest individual cell)
 - → **CHARGING** – Charging status
-

Smart Screen – Button and Function Overview

This section explains how to turn the screen on and off, adjust volume, use voice control, and connect your Bluetooth-enabled mobile device.

Turn the Screen On or Off


Power On

Step 1: Turn the ignition switch to **ACC ON**.

Step 2: Press the Power icon  on the side of the touchscreen.


Step 3: The screen will start up automatically.

Power Off

Step 1: With the system on, press and hold the Power button  for 2 seconds.

Step 2: The screen will shut down automatically.

Mute Sound Quickly

Step 1: If there is unwanted noise, briefly press the Power button  to mute the sound.

Step 2: When you switch to another function (for example, from radio to Bluetooth), the radio will automatically turn off, and the noise will stop.

Main Interface (Home Screen) 【🏠】

When the system starts, it **defaults to the radio screen**.

Step 1: Tap the Home button 【🏠】 to go to the Main Menu, where you can access all functions.

Voice Control 【🎤】 (Using the Built-in Microphone) 【🎯】

The system has a built-in microphone 【🎯】, which you can use for Voice Control. You can activate Voice Control by linking to the CarPlay function. The Voice Control works like the voice assistant in Apple or Android devices (i.e., Siri or Google Assistant).

Step 1: Tap the Microphone icon 【🎤】 to activate Voice Control.

Step 2: Use the built-in mic 【🎯】 for various functions.

Step 3: Adjust the microphone sensitivity in the **Settings menu** as required.

Adjust Volume 【🔊+】 【🔊-】

You can adjust the volume for music, radio, calls, and navigation audio.

Step 1: Tap 【🔊+】 to increase the volume if it is too low.

Step 2: Tap 【🔊-】 to decrease the volume if it is too high.

Bluetooth Connection Guide for the Smart Screen

Using your vehicle's Bluetooth

You can connect your mobile device to your vehicle's Smart Screen via a wireless Bluetooth connection. Once a Bluetooth connection is successfully established, you can use your vehicle's Smart Screen to perform various functions.

Connecting Your Phone to the Smart Screen via Bluetooth


You can connect your mobile device to your vehicle's Smart Screen via a wireless Bluetooth connection. Once a Bluetooth connection is successfully established, you can use your vehicle's Smart Screen to perform various functions.

Step 1: Turn on Bluetooth on your mobile phone.

Step 2: On your phone, search available devices. Select "**CAR BT.**"

Step 3: When prompted, press **MOD** on the vehicle smart screen to pair and connect both devices.

Step 4: Verify that the connection is successful.

- A Bluetooth icon  will appear next to the connected device.
- The word "**CONNECTED**" will display on the screen.
- The system will automatically switch to **BT AUD** mode.

What You Can Do in BT AUD Mode

Play music from your phone. Use the appropriate button to play/stop, or move to the next/previous track.

Adjust the volume using the volume buttons.

Use apps or play games on your phone that support Bluetooth audio.

Use apps or play games on your phone that support Bluetooth audio.

Answer or end calls by pressing the BND button.

NOTE

If the connection does not occur automatically, repeat the pairing steps and make sure Bluetooth is enabled on your phone.

Troubleshooting your Bluetooth connection

If your phone does not connect to the Smart Screen, try the following:

Make sure Bluetooth is turned on. Check that Bluetooth is enabled on your phone and set to discoverable.

Confirm the correct device name. Select "**CAR BT**" from the list of available Bluetooth devices on your phone.

Retry pairing. Press the **MOD** button to re-enter Bluetooth pairing mode, then try connecting again from your phone.

Move closer to the smart screen. Keep your phone within a few feet of the cart to avoid signal issues.


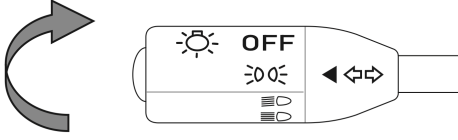
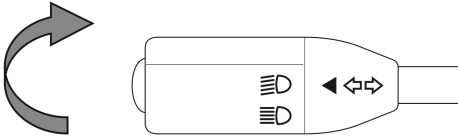
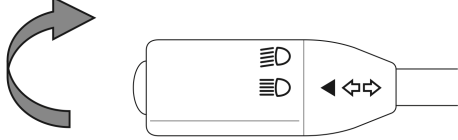
Disconnect other devices. If another phone is already connected to the vehicle, disconnect it before pairing a new phone.


Restart if needed. Turn Bluetooth off and back on, or restart your phone and the golf cart smart screen.

If the connection is successful, the **Bluetooth icon** and “**CONNECTED**” message will appear on your Smart Screen, and the system will switch to BT AUD mode automatically.

Combination Switch (Horn, Lights, and Turn Signals)

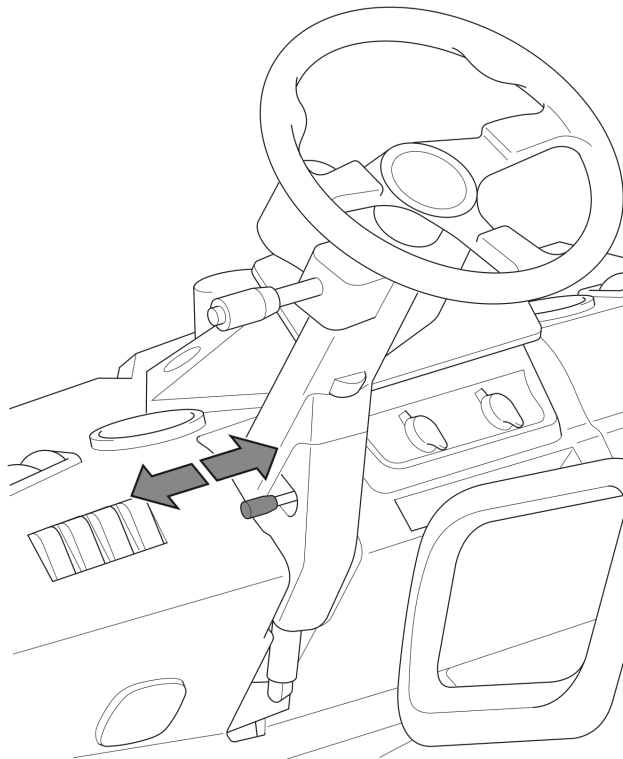
The **combination switch** is located on the **left side of the steering column**. It controls the horn, lights, and turn signals. See **Figures 11 to 15** for the descriptions of each.

 <p>(Figure 11)</p>	<p>Horn</p> <p>Use the horn to alert pedestrians or other vehicles when necessary.</p> <p>To activate: Press the end of the switch to sound the horn.</p>
 <p>(Figure 12)</p>	<p>Daytime Running Lights</p> <p>When activated, the daytime running light indicator lights up on the instrument panel.</p> <p>To activate: Rotate the switch counterclockwise one step.</p>
 <p>(Figure 13)</p>	<p>Low Beam Headlights</p> <p>When activated, the low beam headlights indicator lights up on the instrument panel.</p> <p>To activate: From the daytime running lights position, rotate the switch counterclockwise one more step.</p>
 <p>(Figure 14)</p>	<p>High Beam Headlights</p> <p>When activated, the high beam headlights indicator lights up on the instrument panel.</p> <p>To activate: From the low beam headlights position, rotate the switch counterclockwise one additional step.</p>

	<p>⚠ NOTE: Use high beams only when it is safe and appropriate.</p>
 <p>(Figure 15)</p>	<p>Turn Signals</p> <p>When activated, the appropriate turn indicator flashes on the instrument panel.</p> <p>To activate: Left turn signal Push the switch downward. Right turn signal Push the switch upward.</p> <p>⚠ NOTE: Always use turn signals when changing directions to alert others around you.</p>

Steering Column Adjustment

The steering column adjustment handle is located on the lower left side of the steering column (**Figure 16** below). It can move up and down within a certain angle range for a more comfortable driving position.



Steering Column Adjustment (Figure 16)

To adjust the steering wheel:

Step 1: Pull the adjustment handle and hold it.

Step 2: Move the steering wheel up or down as needed and adjust its position.

Step 3: Release the handle to lock the steering column in place.

Step 4: Check that the steering wheel is securely locked before driving.

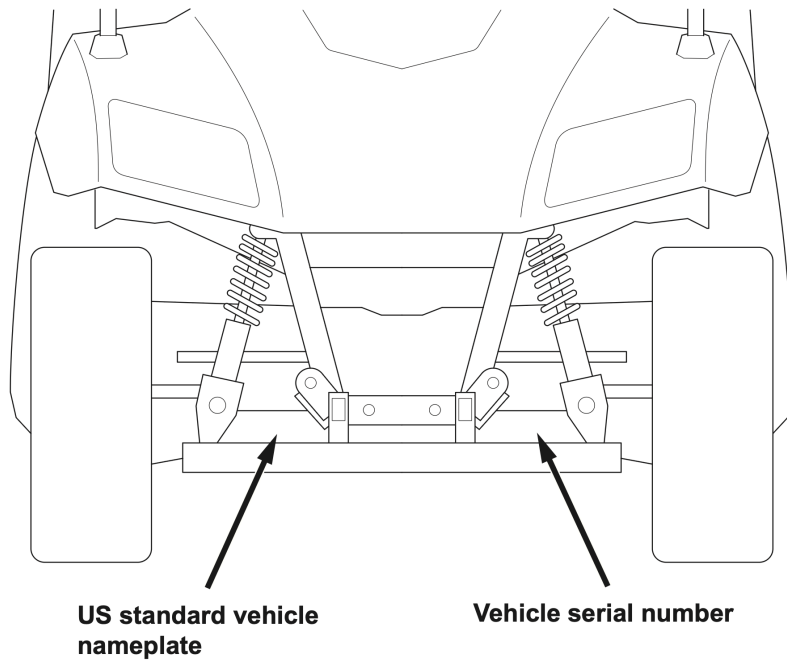
WARNING

Do not adjust the steering column while the vehicle is moving. Adjusting the steering wheel while driving may cause loss of control and serious injury.

6. IMPORTANT SIGNS and IDENTIFICATION

Vehicle Identification Number and U.S. Standard Vehicle Nameplate

Each vehicle is marked with a **Vehicle Identification Number** and a **U.S. vehicle nameplate**.

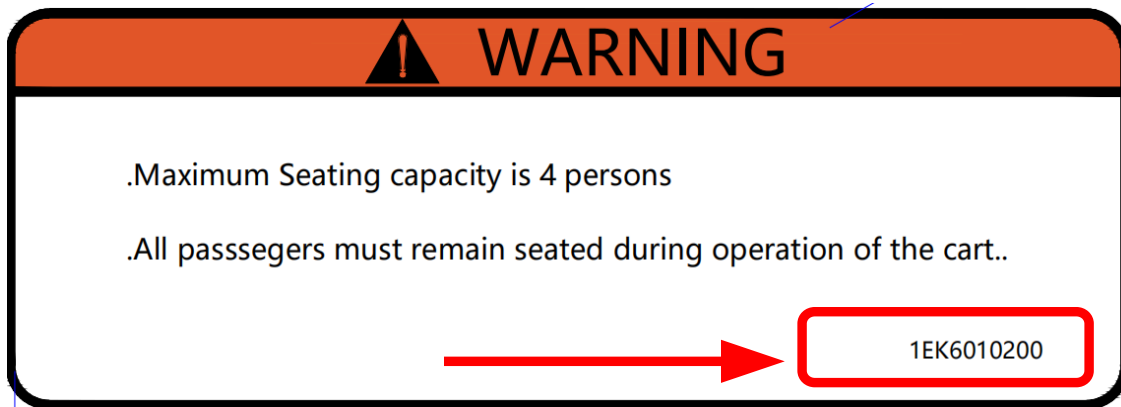


Location of Vehicle Identification Number and U.S. Standard Vehicle Nameplate (Figure 17)

- The chassis serial number uniquely identifies your vehicle.
- Both the Vehicle Identification Number and nameplate are permanently riveted to the location shown in the illustration above **(Figure 17)**.
- **⚠ NOTE:** These markings are required for vehicle identification, registration (if applicable), service, and warranty support. Always keep a record of your vehicle's serial number for future reference.

Warning and Instruction Labels

Each safety and instruction label on the vehicle includes a **label code** for identification.



Example label code:

1EK6010200 (Passenger Instruction Warning Label)

- The **first three digits** identify the **vehicle model**.
- The **remaining digits** identify the **specific part manufacturing number and design sequence**.

If a label requires replacing (e.g., damaged, unreadable, or detached), contact your authorized Goggo Cruise dealer and provide the label code when ordering a replacement.

7. PRE-OPERATION CHECKS

Every Goggo vehicle is thoroughly inspected and adjusted before leaving the factory. However, it is **important to check the vehicle before each use** to ensure safe and reliable operation.

Before operating a new vehicle, take time to become familiar with all **controls, indicators, and basic functions**.

Use the following checklist as a daily pre-operation inspection. Performing these checks regularly helps prevent breakdowns and improves safety.

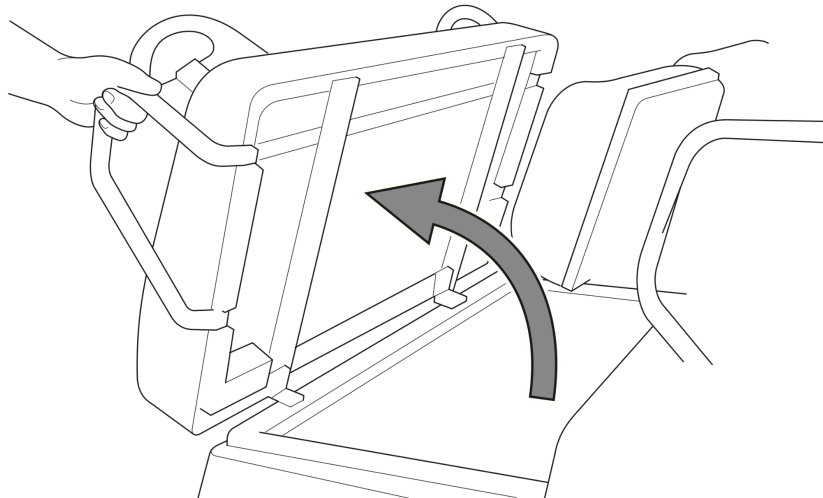
WARNING

Do not start or power on the vehicle while performing pre-operation checks.

Pre-Operation Checklist

Check the following items **before** each use:

- Battery condition and charge
 - Tire condition
 - Steering system
 - Reverse warning buzzer
 - Pedal operation
 - Vehicle body and chassis
-
- Seat condition and mounting**
 - Open the seat to inspect internal components as needed. See **Figure 18** below.



Opening the Seat for Inspection (Figure 18)

Battery Check

Before driving, confirm the following:

- The battery is **fully charged**
- Battery terminals are **clean and free of corrosion**
- The battery is **securely mounted** to prevent movement or vibration damage

If you notice damage, loose connections, corrosion, or leaks, **do not operate the golf cart and contact a qualified service personnel.**

Tire Condition

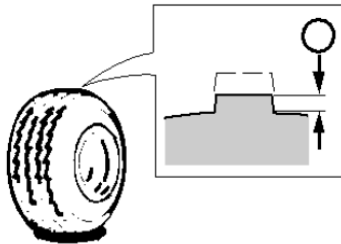
Before operating the golf cart, check that all tires are properly inflated.

Tire Pressure

- Recommended pressure:** 18psi (124 kPa/ 1.265kgf/cm²)
- Inspect the tire surface for:
 - Cuts or cracks
 - Bulges
 - Embedded foreign objects (nails, stones, etc.)

Tire Wear

- Check the tire tread's depth regularly.
- Replace the tire immediately** if the tread depth is less than 0.04 inches (1 mm). See the illustration below for reference.



When $0 \leq 1\text{mm}$ (0.04 inches), replace the tire immediately.

Steering System

- Check the steering system for **excessive looseness**.
- Gently move the steering wheel **up, down, forward, and backward**.
- Slowly turn the steering wheel **left and right**.
- Watch out for any of the following, which may indicate that some components are loose.
 - Excessive free movement
 - Clicking or knocking sounds

If any of the above are present, **do not operate the vehicle** and contact your dealer for inspection or repair.

Reverse Buzzer

- Set the Drive Selection Switch to "R" (Reverse).
- Confirm that the **reverse warning buzzer sounds**.

If the buzzer does not sound, have the system inspected before using the vehicle.

Pedal Operation

- Ensure that the brake, parking brake, and accelerator pedals are working properly.

Brake Pedal

- Press the brake pedal and confirm it feels **firm**.
- When released, the pedal should **return to its original position**.

Parking Brake Pedal

- Press the parking brake pedal fully.
- The vehicle must remain **stationary** and not roll downhill.

Accelerator Pedal

 **WARNING:** Before checking the accelerator pedal:

- Ensure that the **One-Key Start button is OFF**.
- Confirm the drive selection switch is in "**N**" (**Neutral**).


Press and release the accelerator pedal to confirm the following:

- Moves smooth
 - Does not stick or jam
-

Body and Chassis Inspection

Before each use:

- Inspect the body and chassis for damage.
- Check loose, missing, or damaged components.

 **WARNING:** Do not operate the golf cart if structural damage is found.

Performance Check (Test Drive)

After completing the inspection and reviewing the driving instructions:

- Perform a short test drive in a safe, open area
 - Confirm smooth steering, braking, and acceleration
-

Daily Operational Checklist

Use the following checklist as a guide for inspecting vehicles for daily operation.

Forward (F)/ Neutral (N)/ Reverse (R) Operation

- Power on the vehicle.
- Move the drive selection switch to F, N, and R.
- Lightly press the accelerator to confirm proper response in each position.

Brake System

- Apply steady pressure to the brake pedal.
- The vehicle should stop **smoothly** within 4.3 m (14 ft).
- The brake pedal should not come into contact with any body or plastic parts.

If the stopping distance is excessive (>4.3 m (14 feet), uneven, or unstable, inspect the brake system immediately.

Parking Brake

- Confirm that the parking brake pedal is fully released before driving.
-

General Inspection

During operation, remain alert for:

- Unusual noises (rolling, creaking, or grinding sounds)
- Abnormal handling or ride quality
- Reduced passenger comfort or performance

If any abnormal conditions are detected, stop using the vehicle and arrange for service.

Below is a handy guide for deciding when to stop operating your Goggo Cruise golf cart and arrange for inspection or service.

STOP USING THE VEHICLE IF...

⚠ WARNING:

Immediately stop operating the golf cart and arrange for inspection or service if you notice **any** of the following conditions:

- The **brakes feel soft, unresponsive, or fail to stop the vehicle smoothly**
- The vehicle **does not stop within a normal distance** or pulls to one side when braking
- The **steering wheel feels excessively loose** or makes clicking or knocking sounds
- The **reverse warning buzzer does not sound** when the Reverse (R) gear is selected
- The **accelerator pedal sticks, jams, or does not return smoothly**
- The **parking brake does not hold** the vehicle on a slope
- Tires are damaged**, underinflated, or worn below **1 mm (0.04 in)** tread depth
- Battery leakage**, corrosion, loose connections, or missing battery covers are found
- Warning indicators or fault lights remain on** after startup
- The vehicle makes **unusual noises** (grinding, creaking, or repeated knocking)
- Any **structural damage** to the body or chassis is visible
- The vehicle behaves **abnormally during a test drive**

⚠ WARNING: **Do not continue operating the vehicle** if any of these conditions are present.

⚠ WARNING: Contact an **authorized Goggo Cruise dealer or qualified service personnel** for inspection and repair before further use.

8. DRIVING THE VEHICLE

Before You Start

Before driving, take a moment to prepare:

Step 1: Familiarize yourself with the controls.

Know the location and function of all pedals, switches, and buttons.

Step 2: Make sure all passengers are seated properly.

Seat armrests must be down and seat belts must be fastened.

Step 3: Read all safety labels on the dashboard, near the seats, and above the pedals.

Pay attention to and follow the safety labels accordingly.

Step 4: Confirm the direction of travel before stepping on the pedal.

Starting the Vehicle

Get ready to drive your golf cart!

Step 1: Turn the key to the ON position, or if configured, press the One-Key Start button on the remote control key.

The instrument panel will light up to ensure there are no obstacles ahead.

Step 2: Confirm that the instrument panel lights up and no warning indicators remain on.

Step 3: Ensure that the parking brake is released and the red brake indicator light is OFF.

Step 4: Shift the Forward (F)/ Neutral (N)/ Reverse (R) switch according to the desired direction.

Step 5: Slowly press the accelerator pedal to begin moving.

Speed increases gradually as the pedal is pressed further (and until full speed is reached).

While Driving

- Always control your speed, especially when traveling downhill.
- Drive smoothly and avoid sudden starts or stops.

- Keep both hands on the steering wheel and remain seated at all times.
-

Important Safety Rules

WARNING:

- Never shift between Forward (F) and Reverse (R) **while the vehicle is moving.**
 - If the drive selector is set to Neutral (N), power is cut, and the vehicle will stop.
 - Do not press the accelerator pedal when turning on the main power, as the vehicle may move unexpectedly.
-

Parking and Leaving the Vehicle

Step 1:

Release the **accelerator pedal**.

Step 2:

Gradually **press the brake pedal** until the vehicle comes to a complete stop.

Step 3:

Move the drive selector to **Neutral (N)**.

Step 4:

Cut off the power by pressing the **One-Key Start button**.

Step 5:

Firmly press the **parking brake pedal** to prevent the vehicle from rolling.

 **WARNING:** Do not attempt to park the golf cart on a slope using the **accelerator**.

Always use the **brake and parking brake** when stopping or parking.

9. MAINTENANCE

Vehicle Maintenance Overview

Regular maintenance is essential to ensure your golf cart's safe operation, reliable performance, and a long service life.

Follow the maintenance schedule in this section to keep your vehicle in good working condition.

Important Maintenance Safety Information

- Turn OFF the main power switch before performing any maintenance, unless specifically instructed otherwise.
- If you are not familiar with mechanical maintenance, do not attempt repairs yourself.
- Maintenance and repairs should be performed by a **qualified mechanic or an authorized Goggo service center**.

NOTE: Failure to follow proper maintenance procedures may result in **damage, personal injury, or loss of warranty coverage**.

Regular Maintenance Chart

		C - Check	CA - Check & Adjust	R - Replace	S - Service	CL - Clean & Lubricate	L - Lubricate	
		PRE-OPERATION		20 hours	125 hours	250 hours	500 hours	1000 hours
				160 miles	600 miles	1200 miles	2500 miles	5000 miles
		REMARKS		Every month	Every 6 months	Every year	Every 2 years	Every 4 years
PRE-OP	Charge			S	S	S	S	S
	Clean battery tops, check for tightness of hold-down screws and terminals			S	S	S	S	S
	Check brake pedal freeplay and adjust if necessary			C	CA	CA	CA	CA
	Check steering operation			C	CA	CA	CA	CA
	Check tire pressure, tread depth, tire surface for damage			C	C	C	C	C
	Check body and chassis for damage			C	C	C	C	C
	Check tightness of all bolts, nuts, and screws			C	C	C	C	C
	Check reverse buzzer operation			C	C	C	C	C
EVERY MONTH	Check for loose or broken connections				C	C	C	C
	Clean/Lube pedal control area				CL			
EVERY 6 MONTHS	Check all wire insulation for cracks and/or worn spots					C	C	C
	Check shock absorbers for oil leaks and damaged springs					C	C	C
EVERY YEAR	Perform a discharge test					S	S	S
	Apply terminal protectant					S	S	S
	Check shoe lining thickness and rear axle bearing play					C	C	C
	Check steering knuckle bushing freeplay Adjust wheel alignment					CA	CA	CA
	Check wheel nut tightness, front wheel bearing play					C	C	C
	Check gear box oil level and leakage					C	C	C
EVERY 4 YEARS	Check operation and adjust pedal stop if necessary					CA	CA	CA
	Replace gear box oil							R
	Check for grease leakage; adjust gear box if necessary							CA

Battery System Overview

The battery supplies power to the vehicle and is one of the most important components to maintain.

Proper charging, inspection, and care will:

- Improve overall vehicle performance
- Extend battery life
- Reduce the risk of failures

Lithium Battery

Use the following as a checklist/ guide for **lithium battery maintenance**.

Lithium Battery Charging Instructions

- Original charger**
 - Only use the original Goggo lithium battery charger of your vehicle. Different brands or models may cause overcharging, undercharging, overheating, or damage.

- Charging environment**
 - Dry and well-ventilated
 - Avoid extreme temperatures
 - Ideal temperature: around 25°C (or 77°F)
 - Free of flammable materials

- Charging procedure**
 - Confirm that the battery and charging port are dry and clean
 - Connect the charger to the battery securely
 - Red flashing light = charging**
The charging indicator will flash red continuously. This indicates that charging is in progress.
 - Green light = fully charged**
The charging indicator will turn green to indicate that the battery is fully charged.
 - Disconnect the charger from the vehicle first, then unplug the charger power supply.
 - ⚠ CAUTION:**
Do not leave the charger connected after charging is complete.
 - ⚠ NOTE:**
Charging time to full charge will vary depending on the level of discharge.
 - ⚠ CAUTION:**
Do not leave the charger connected when the golf cart is in storage.

Prolonged overcharging can cause the battery to heat up and accelerate aging.

- ⚠ CAUTION:**
Hold the handle of the charging plug (rather than the wiring harness) when inserting it into the charging socket.



Lithium Battery Usage Tips

Practicing good habits can extend the life of your batteries.

- Avoid hard acceleration**
 - When starting
 - When fully loaded
 - When going uphill
- Maintain **steady speeds** when possible.
- Avoid frequent rapid acceleration and braking.

These habits help reduce high-current discharge and may help extend battery life and prevent battery damage.

- ⚠ CAUTION:**
STOP USING THE VEHICLE IF...
 - The battery is leaking, swollen, or emitting unusual odors
 - The charging indicator behaves abnormally
 - The battery or cables feel excessively hot
 - Warning lights related to the battery remain on

Contact an authorized Goggo Cruise service center immediately.

Lithium Battery Maintenance

- Regular inspection**
Check for:
 - Cracks, bulging, deformation, or leakage
 - Secure wiring and plug connections
- Power management**
 - Recharge when the battery level drops below 20%
 - Avoid completely depleting the battery

□ Battery storage

- Store in a dry, well-ventilated location
 - Avoid extreme heat or cold
 - For long-term storage, maintain battery charge at 50% or higher.
 - **⚠ CAUTION: Do not leave the charger connected for long periods of storage.**
 - Charge and discharge monthly to maintain battery health
-

Fuse Replacement

Fuses protect the vehicle's electrical system from damage. Always use the correct fuse type and rating.

Important Safety Warning

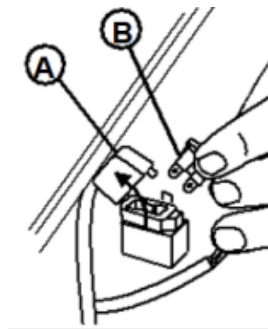
Using the wrong fuse can damage your vehicle's electrical system and may cause a fire.

⚠ CAUTION:

Turn OFF the main power switch before replacing any fuse to prevent short circuits.

Fuse Specifications

- 10A fuse – Sensor circuits
- 25A fuse – Lighting power supply system



Replacing a Fuse

Step 1: Turn **OFF** the main power switch.

Step 2: Locate the fuse that needs to be replaced.

Step 3: Remove the blown fuse and inspect it.

Step 4: Install a **new fuse with the same rating.**

Step 5: Ensure that the fuse is fully seated before restoring power.

 **CAUTION:**

If a fuse blows repeatedly, do not continue replacing fuses. Have the vehicle inspected by an authorized Goggo Cruise service center.

Transmission Maintenance

Gearbox Oil Replacement

Proper gearbox lubrication is essential for smooth operation and extending the transmission's lifespan.

Important Service Information

- Gearbox replacement or transmission-related service should be performed only by a **qualified technician**.
- Improper service may cause transmission damage or unsafe operation.
- Contact an authorized Goggo Cruise dealer or qualified service technician.

Service Procedure (For Reference Only)



Step 1: Place the vehicle on a **level surface** and securely lift it using a jack.

Step 2: Remove the **lower drain bolt** and the **upper fuel plug** of the gearbox.

Step 3: Drain the old gear oil completely.

Step 4: Reinstall and tighten the drain bolt.

Step 5: Slowly add new gear oil through the fill port until the correct level is reached (**approximately 600 cc**).

Step 6: Reinstall the oil fill plug and tighten to 22 N·m (16 ft·lb).

⚠ CAUTION:

Do not allow dirt or foreign materials to enter the gearbox.

Wheel Replacement

Before performing wheel replacement, ensure that the vehicle is powered off and parked on a flat, stable surface.

Wheel Removal and Installation Procedure

- Step 1:** Block the wheels to prevent the vehicle from moving.
- Step 2:** Loosen the wheel nuts slightly while the wheels are still on the ground.
- Step 3:** Lift the vehicle using an appropriate jack and secure it properly.
- Step 4:** Remove the wheel nuts and take off the wheel.
- Step 5:** Install the replacement wheel.
- Step 6:** Fasten the wheel nuts without completely tightening them.
- Step 7:** Lower the vehicle.
- Step 8:** Tighten the wheel nuts evenly and securely.

Recommended: Wheel nut tightening torque = 80-100 N·m (59 to 74 ft·lb)

⚠ WARNING:

Always use a torque wrench and follow the specified torque value. Improperly tightened wheel nuts may cause wheel loosening or loss, which can result in serious injury or damage.

Brake Adjustment

Regular inspection and proper adjustment of the brake system are essential for operating the vehicle safely.

Brake Pedal Free Travel

Check the free travel of the brake pedal. The normal free travel should be **20-25 mm (approximately 0.8 to 1 inch)**.

Adjust as required if the free travel is outside the recommended range.

Brake Pedal Adjustment Procedure

Step 1: Ensure that the vehicle is powered off and parked on a level surface.

Step 2: Loosen the brake push rod locking nut.

Step 3: Rotate the brake push rod relative to the hole of the brake cylinder.

- **Rotate inward:** Reduces the pedal's free travel
- **Rotate outward:** Increases the pedal's free travel

Step 4: Confirm the displacement of the upper end of the pedal.

Step 5: To test, lightly press the brake pedal until resistance is felt and verify that the pedal's upper-end movement matches the recommended free travel of **20-25 mm (approximately 0.8 to 1 inch)**.

Step 6: Once the correct free travel is achieved, securely tighten the locking nut.

 **CAUTION:**

Brake system failure can result in serious injury or accidents.

If abnormal brake performance is detected, or if proper adjustment cannot be achieved, **do NOT operate the vehicle**. Contact an authorized service agent immediately.

10. VEHICLE STORAGE

Long-Term Vehicle Storage

If the vehicle will be stored for an extended period, complete the following preparations.

⚠ NOTE:

- Completely cut off power by pressing and holding the One-Key Start button or remotely locking the vehicle.
 - Store the remote control in a safe location.
-

Vehicle Preparation

- Check the tire pressure and adjust to 18 psi** (124 kPa/ 1.265 kgf/cm²).
- Thoroughly **clean the vehicle**, including the body, seats, battery compartment, chassis, etc.
- Rust-proof** the golf cart by applying rust-preventive oil where appropriate. Perform lubrication every six months.
- Cover the golf cart with **a breathable cover** and store it in a dry, well-ventilated area.

Battery Preparation

- Charge the battery **at least once per month**.
 - If corrosion is present, clean the battery terminals using a baking soda and water solution. **Do not allow cleaning solution to enter the battery.**
 - When storage temperatures fall **below 32°F (0°C)**, keep the battery **fully charged** to prevent freezing and damage.
-

11. VEHICLE SPECIFICATIONS

Your Goggo Cruise has the following configuration parameters.

- Standard configuration
- Optional configuration

Chassis					
		Ball cart 2+2		Hunting car 2+2	
Motor	●	AC motor 48V5kw			
Controller	●	Controller 48V450A			
Battery	○	5.12kwh Lithium battery			
	○	7.68kwh Lithium battery			
	○	6x8V155Ah lead-acid battery			
Charger	●	On Board charger 48V20A			
Wheel	●	14-inch aluminum wheel 205/40-14 tire	14-inch aluminum wheel 23*10-14 tire		
Front suspension mode	●	McPherson-style independent suspension			
Rear suspension method	●	McPherson-style independent suspension			
Steering type	●	Gear rack mechanical steering			
Apply the brakes	●	Front and rear four-wheel disc brake			
Parking	●	Foot brake parking			
External arrangement					
Sound	●	A pair of 3-inch speakers			
Central control	●	10-inch multimedia large screen(radio,music,Bluetooth,rear camera,Car-net connection)			
Front windbreak	●	Flip-type front windshield			
Rear-view mirror	●	Standard exterior rearview mirror			
Safety belt	●	Three-point type in the front row and two-point type in the back row			
Steering wheel adjustment	●	Front and rear angles can be adjusted			
Front bumper	●	Front warranty decorative parts	Front protection bar(iron)		
Parameter table					
Battery		51.2V105Ah Lithium battery	6*8V150Ah Lead-acid battery	51.2V105Ah Lithium battery	6*8V150Ah Lead-acid battery
Equipment weight(kg)		446	606	450	621
Seating capacity		4 people			
Dimension(mm)		2695X1258X1938		2743X1315x1983	
Wheelbase(mm)		1643		1643	
Front Tread(mm)		993		993	
Real Tread(mm)		1037		1064	
Ground Clearance(mm)		150		210	
Min Turning Radius(m)		3		3	
Climbing Capacity		30%			
Max Speed(km/h)		32/40			