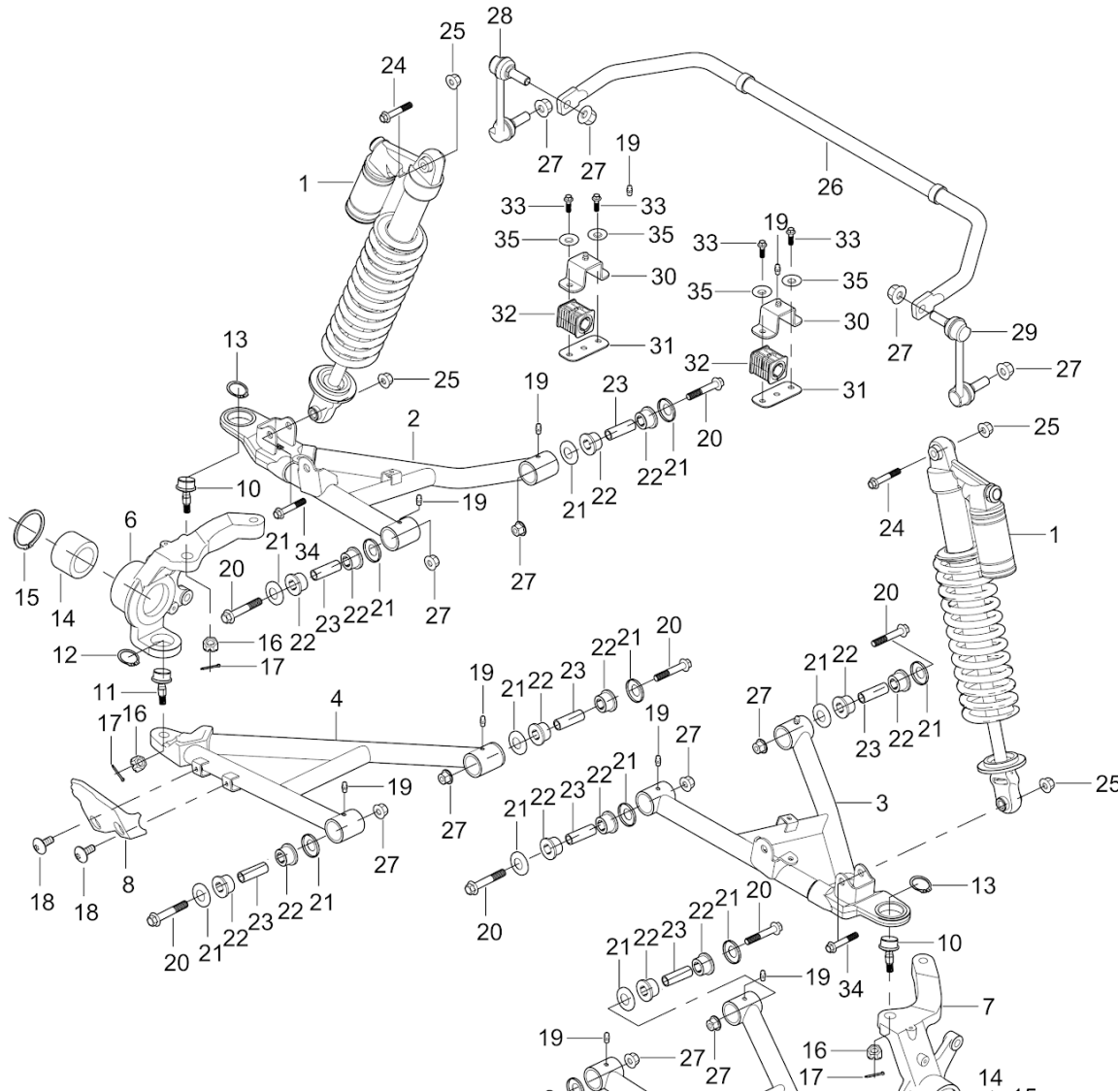
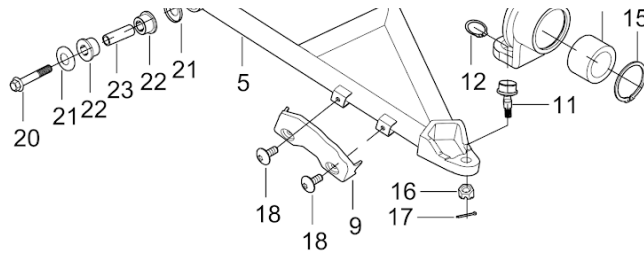


BIGHORN DENALI 650 HX

DIAGRAM FRONT SUSPENSION SYSTEM F01

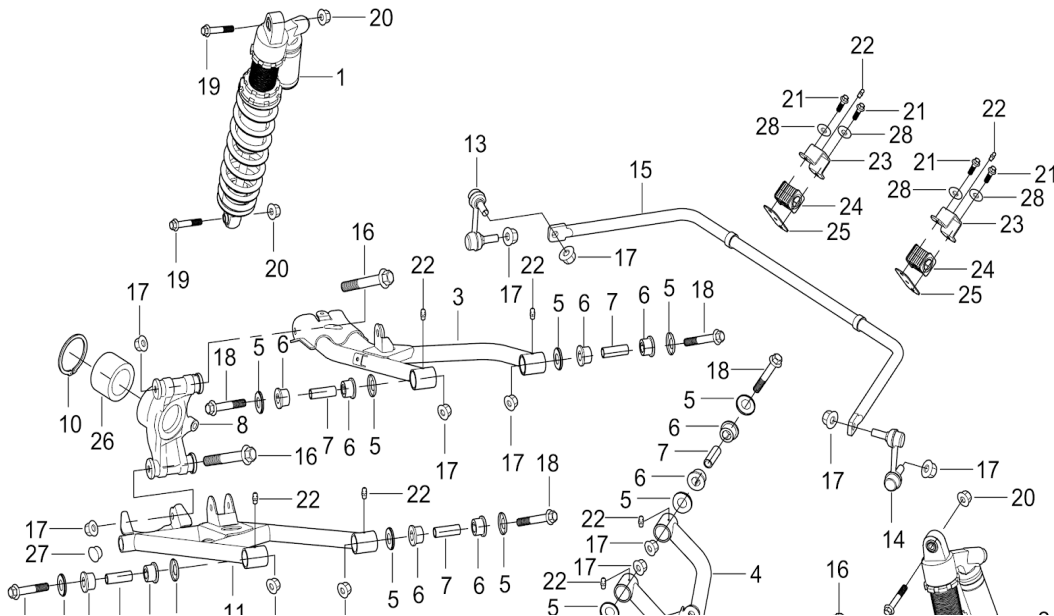


Item #	SKU #	Description	Quantity
1	16701010140	Front Shock Absorber With Airbag, Four Door	2
2	16801070000	RH Upper Front Suspension Arm	1
3	16801060000	LH Upper Front Suspension Arm	1
4	16801090020	RH Lower Front Suspension Arm	1
5	16801080020	LH Lower Front Suspension Arm	1
6	14605220000	Steering Knuckle Assy,RH	1
7	14605210000	Steering Knuckle Assy,LH	1
8	16801080070	Front Arm Guard,LH	1
9	16801090070	RH Front Arm Guard	1
10	10401190000	Ball Joint φ34	2
11	10401180000	Ball Joint φ32	2
12	07031320004	Snap Ring φ32	2
13	07031340004	Snap Ring φ34	2
14	09560306037	Bearing DAC 30600337	2
15	07011630004	Retaining Rings For Bores φ63	2
16	04724120026	Castle Nut M12X1.25	4
17	05011250255	Cotter Pin φ2.5X25	4
18	03414060124	Inner Hexagonalobular Socket Pan Head Screw M6×12 ,Black	4
19	10901070090	Grease Zerk,White	10
20	01256120806	Hex Flange Bolt M12×80×1.25	8
21	13601070030	A-Arm Nylon Sleeve Cover	16
22	10401070020	A-Arm Nylon Sleeve	16
23	16801070010	A-Arm Inner Sleeve	8



24	01256100656	Hex Flange Bolt M10×65×1.25	2
25	04622100026	Heagon Flange Locking Nut M10X1.25	4
26	16801210020	Front Stabilizer Bar	1
27	04622120026	Hex Flange Locking Nut M12X1.25	12
28	14301210050	Sway Bar Pull Rod,RH	1
29	14301210010	Sway Bar Pull Rod,LH	1
30	16801210030	Stabilizer Bar Clamp	2
31	16801210080	Stabilizer Bar Support Plate	2
32	17001210040	Sway Bar Cusion	2
33	01224080206	Hex Flange Bolt M8×20	4
34	01256100556	Hex Flange Bolt M10X55X1.25	2
35	06619081405	Spring Washer φ8	4

DIAGRAM REAR SUSPENSION SYSTEM F02



Item #	SKU#	Description	Quantity
1	16701020160	Rear Airbag Shock Absorber,RH, Two Door	1
2	16701020140	Rear Airbag Shock Absorber,LH , Two Door	1
3	16801110020	RH Upper Rear Suspension Arm	1
4	16801100020	LH Upper Rear Suspension Arm	1
5	13601070030	A-Arm Nylon Sleeve Cover	16
6	10401070020	A-Arm Nylon Sleeve	16
7	16801070010	A-Arm Inner Sleeve	8
8	16601200050	Knuckle Assy,Driver Side	1
9	16601200060	Knuckle Assy,RH	1
10	07011630004	Retaining Rings For Bores φ63	2
11	16801130120	RH Lower Rear Suspension Arm	1
12	16801120120	RH Lower Rear Suspension Arm	1

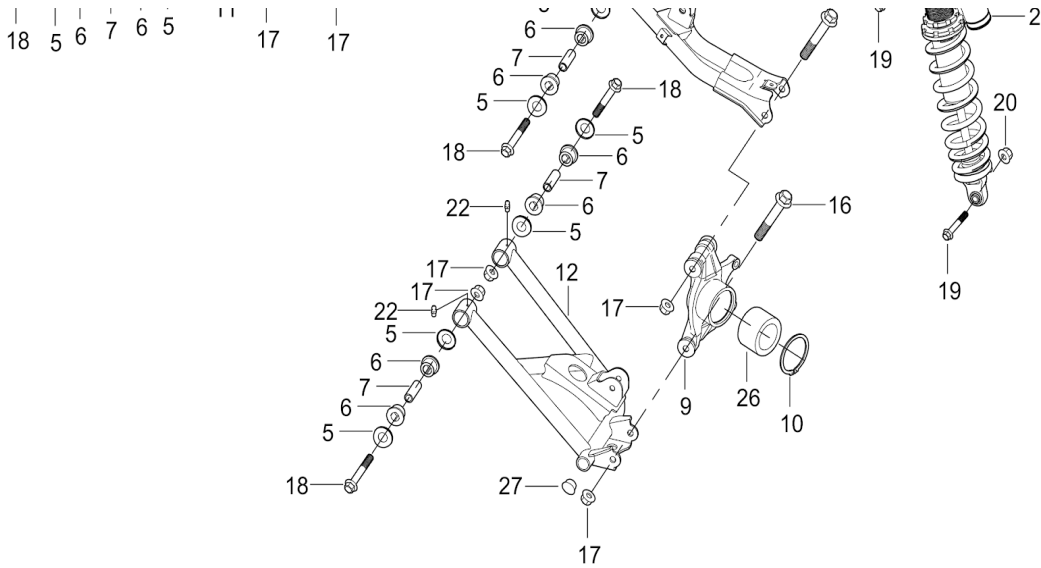
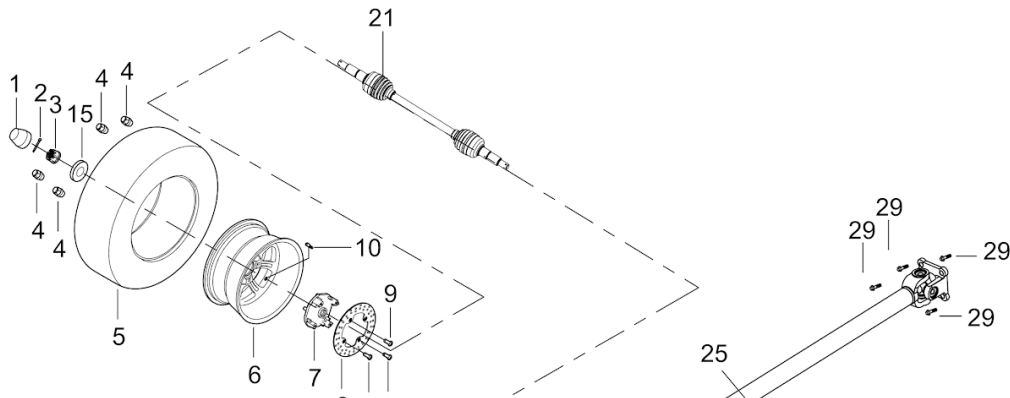
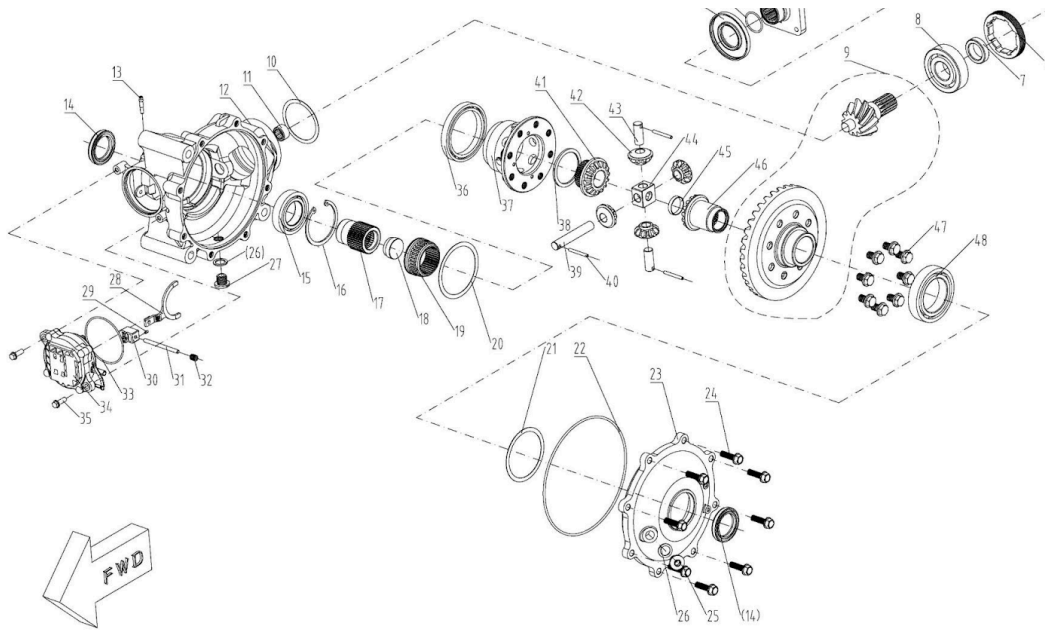


DIAGRAM FRONT DRIVE SYSTEM (TWO DOOR) F03



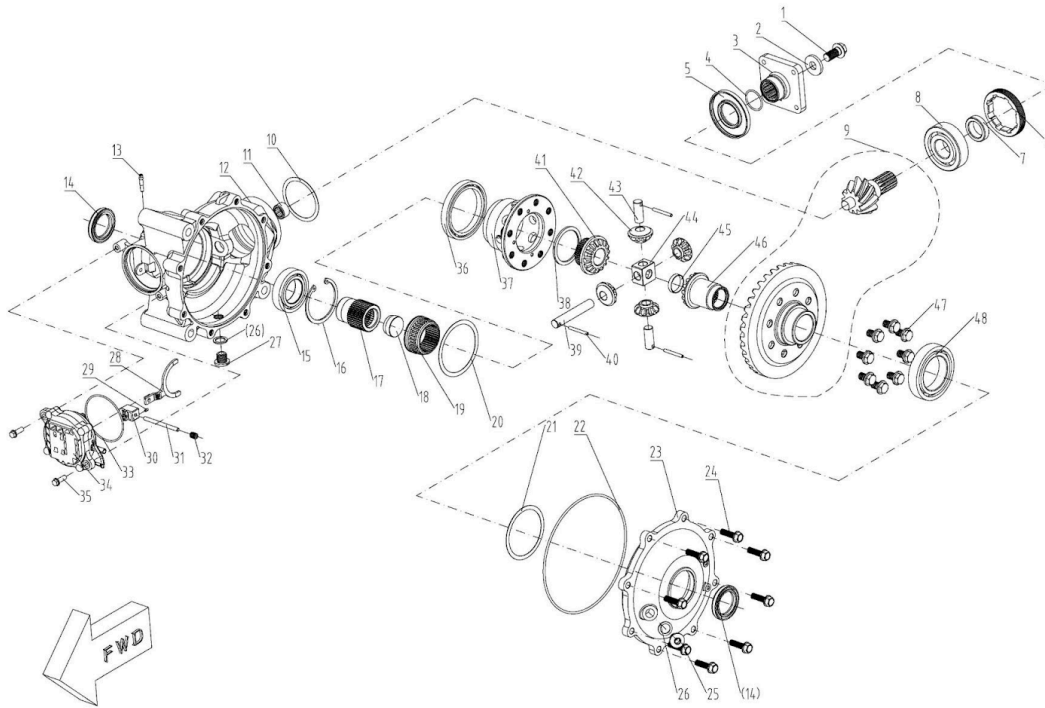
13	10101210050	Sway Bar Pull Rod,RH	1
14	10101210010	Sway Bar Pull Rod,LH	1
15	16801210060	Rear Stabilizer Bar	1
16	01256121256	Hex Flange Bolt M12X125X1.25	4
17	04622120026	Hex Flange Locking Nut M12X1.25	12
18	01256120806	Hex Flange Bolt M12×80×1.25	8
19	01256100556	Hex Flange Bolt M10X55X1.25	4
20	04622100026	Hexagon Flange Locking Nut M10X1.25	4
21	01224080206	Hex Flange Bolt M8×20	4
22	10901070090	Grease Zerk,White	10
23	16801210030	Stabilizer Bar Clamp	2
24	17001210040	Sway Bar Cushion	2
25	16801210080	Stabilizer Bar Support Plate	2
26	09560306342	Bearing DAC 306342	2
27	16601070040	Swing Arm Plug	2
28	06619081405	Spring Washer φ8	4
Item #	SKU#	Description	Quantity
1	17005230020	Wheel Dust-Proof Cover	2
2	05011400405	Cotter Pin φ4.0X40	2
3	04812220022	Slotted Flange Nut M22×1.5	2
4	04322120024	Acorn Nut M12×1.25 (Black) , Wheel	8
5	16805030640	Front Tire 28X9-14	2
6	17305030280	Front Rim 14×6	2
7	15101030000	Front Wheel-Hub	2
8	15106010020	Front Brake Disc	2



3	JA84-311005-1000	Drive Flange	1
4	0800-062205	O-Ring, 25x2	1
5	JA84-311002-1000	Oil Seal, 35x72x7	1
6	JA84-311003-1000	Lock Nut, M70x1.5x11	1
7	JA84-311004-1000	Bushing	1
8	30400-02801	Rolling Bearing, 28x68x18	1
9	JA84-31100Z-1000	Front Axle Gear Set	1
10	A84-310001-1000-000	Adjusting Shim, 67.5x57	1-2
	A84-310001-1000-000	Adjusting Shim, 67.5x57	1-2
	A84-310001-1000-000	Adjusting Shim, 67.5x57	1-2
11	30499-01502	Rolling Bearing, NSK F1512	1
12	JA84-313001-1000	Front Axle Housing	1
13	0180-311004-0020	Breather Fitting	1
14	0800-062204	Oil Seal, 35x50x7	2
15	30400-03502	Bearing, GB276 6007	1
16	30800-06200	Internal Circlip (CB/T 893.1 62)	1
17	Q841-310008	Spline Sleeve	1
18	Q841-310007	Guide Pin	1
19	Q841-310005	Spline Shifter Sleeve	1

DIAGRAM Front Differential Assy SYSTEM(16703100000)

Item #	SKU#	Description	Quantity
20	0180-310004	Adjusting Shim, 83x71	1-2
	0180-310004-0001	Adjusting Shim, 83x71	1-2
	0180-310004-0002	Adjusting Shim, 83x71	1-2
	0180-310004-0003	Adjusting Shim, 83x71	1-2
	0180-310004-0004	Adjusting Shim, 83x71	1-2



	0180-310004-0005	Adjusting Shim, 83×71	1-2
21	Q830-310015-00100	Adjusting Shim, 79.5×68	1-2
	Q830-310015-00200	Adjusting Shim, 79.5×68	1-2
	Q830-310015-00300	Adjusting Shim, 79.5×68	1-2
	Q830-310015-00400	Adjusting Shim, 79.5×68	1-2
	Q830-310015-00500	Adjusting Shim, 79.5×68	1-2
	Q830-310015-00600	Adjusting Shim, 79.5×68	1-2
22	0180-334002	O-ring 151×3	1
23	JA84-313002-1000	Front Axle Cover	1
24	0110-060011-0010	Bolt, M8×28	8
25	0180-021008-0010	Bolt, M14×1.25×12	1
26	0180-011006	Washer, 14mm	2
27	0180-332100	Magnetic Drain Plug, M14×1.25×12	1
28	JA84-314001-1000	Shift Fork	1
29	30913-0300550	Spring Pin	1
30	Q890-310010	Shift Fork Pad Assy.	1
31	Q830-310003	Dowel Pin	1
32	30130-080010810	Set Screw, M8×10	1
33	Q830-310012-10000	Sealing Ring, 67.5×2	1
34	Q890-314000-10000	Front Axle Motor Assy.	1
35	0010-023008-0010	Bolt, M6×18	2
36	30400-06500	Bearing, CB/T 276 61813	1
37	Q841-313004	Differential Case	1
38	Q841-313003	Thrust Washer	1
39	Q840-313007	Planetary Gear Pin	1

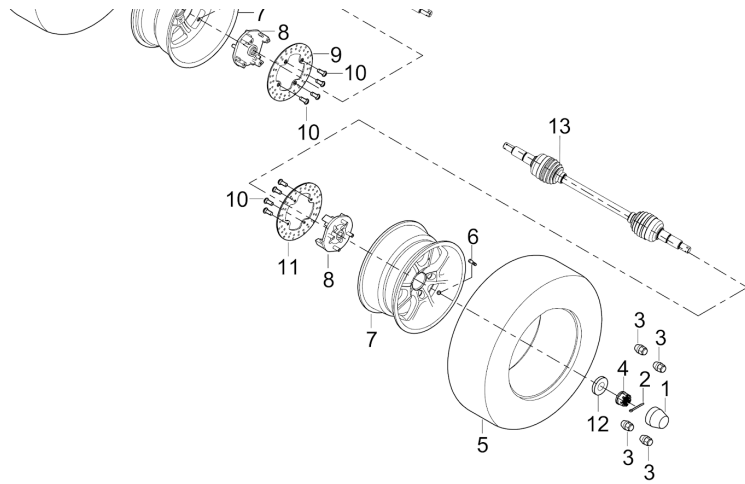
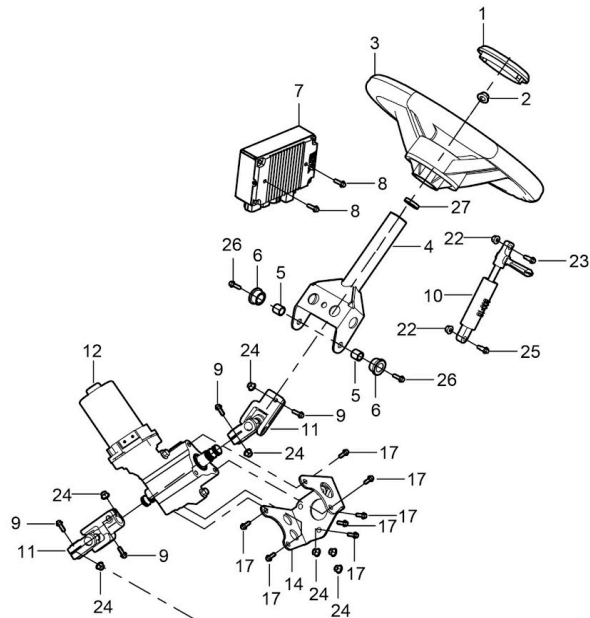
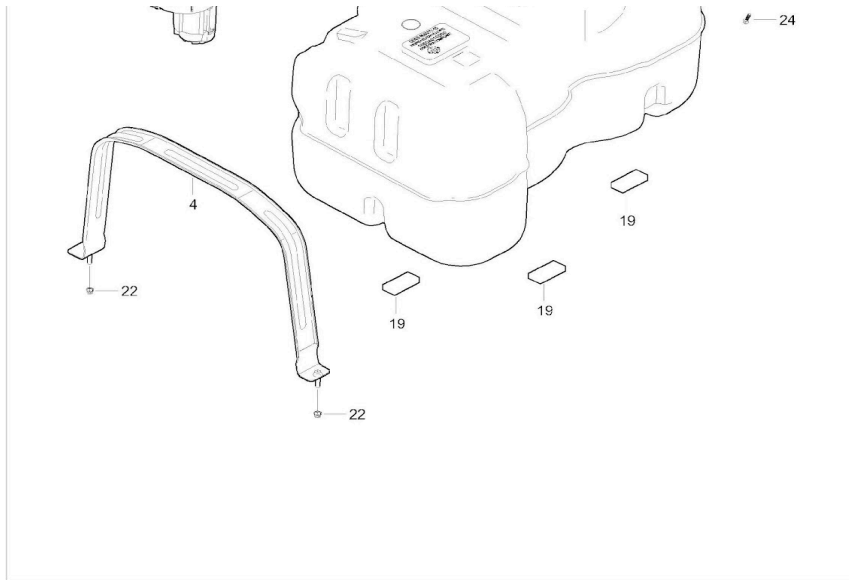


DIAGRAM STEERING SYSTEM(WITH EPS) F05

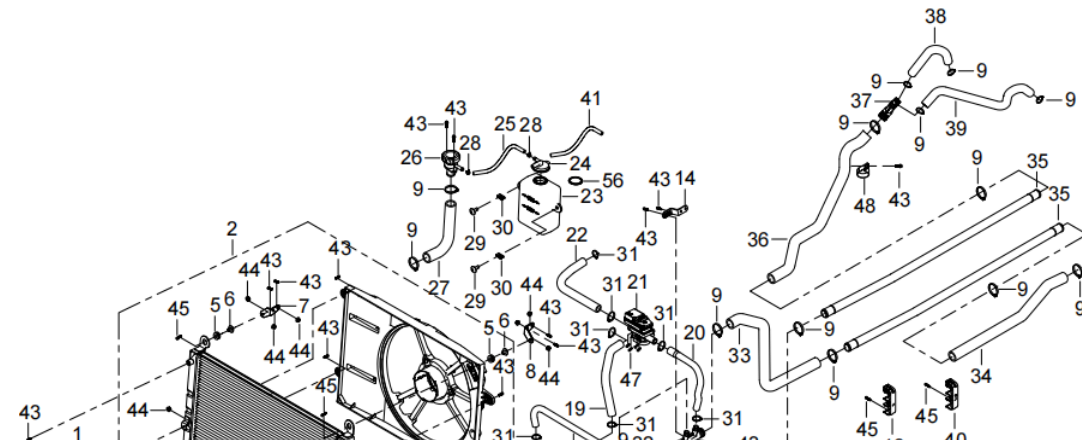


5	16805040640	Rear Tire 28X11-14	2
6	10405230030	Air Valve	2
7	17305040210	Rear Rim 14X8	2
8	15101040000	Rear Wheel-Hub	2
9	17006010340	Rear Brake Disc,LH	1
10	01826080205	Allen T Type Bolt M8X20	8
11	17006010350	Rear Brake Disc,LH	1
12	15101250010	Front Butterfly Washer	2
13	16801240000	Rear Half Shaft,LH	1
14	16801250000	RH Rear Half Shaft	1
Item #	SKU#	Description	Quantity
1	16805090000	Steering Wheel Center Cap	1
2	04622120026	Hex Flange Locking Nut M12X1.25	1
3	16805090080	Steering Wheel	1
4	16805060000	Steering Column	1
5	13205050070	Steering Inner Bush	2
6	13205050061	Steering Nylon Sleeve	2
7	16805270050	EPSController	1
8	01114060126	Hex Flange Bolt M6X12	2
9	01224080356	Hex Flange Bolt M8x35	5
10	16805050100	Steering Column Gas Spring	1
11	16805270020	Universal Joint	2
12	16805270010	Electric Power Steering	1
13	16805070030	Tie Rod Bellows	1
14	16805270060	Power Steering Mounting Plate	1



10	17104060000	Fuel Filter	1
11	21170102801	Y Type Copper Tee	1
12	17013021630	Plastic Fuel Tank Certification Label	1
13	16801040620	Fuel Hose	1
14	16801040610	Fuel Hose	1
15	17301040600	Oil Pipe ,One Cylinder-Y-shaped Tee L=110mm	1
16	16801040600	Fuel Hose	1
17	01254060166	Hex Flange Bolt M6×16	1
18	04512060127	Rivet Nut M6	1
19	16804010210	Fuel Tank Cushion	3
20	16804040650	Oil Pipe Connector ,90°	1
21	16804060010	Fuel Filter Mounting Plate	1
22	04612080026	Hex Flange Locking Nut M8	2
23	01214080255	Hex Flange Bolt M8X25	1
24	01224080356	Hex Flange Bolt M8×35	1

DIAGRAM COOLING SYSTEM(2 Door) F07-Part1



Item #	SKU#	Description	Quantity
1	16812020000	Radiator Guard	1
2	21140402401	Radiator Fan Assembly	1
3	21140403601	Radiator Fan Assembly	1
4	16812030050	Radiator Lower Mounting Plate	1
5	17012030080	Radiator Upper Mounting Rubber Sleeve	2
6	17012030090	Radiator Upper Mounting Inner Sleeve	2
7	16812030070	Radiator Upper Mounting Plate,RH	1
8	16812030060	LH Radiator Upper Mounting Plate	1
9	17012070000	Clamp φ20-φ32	17

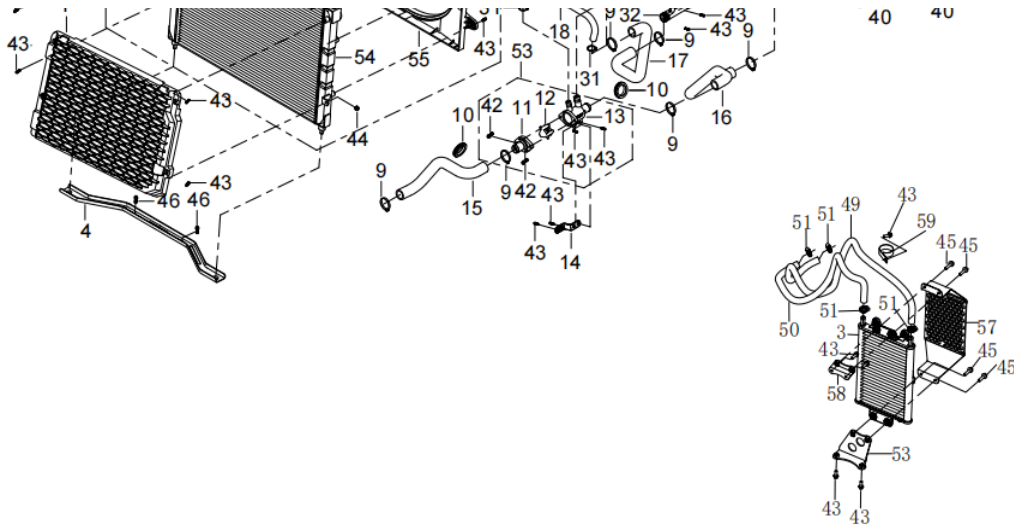
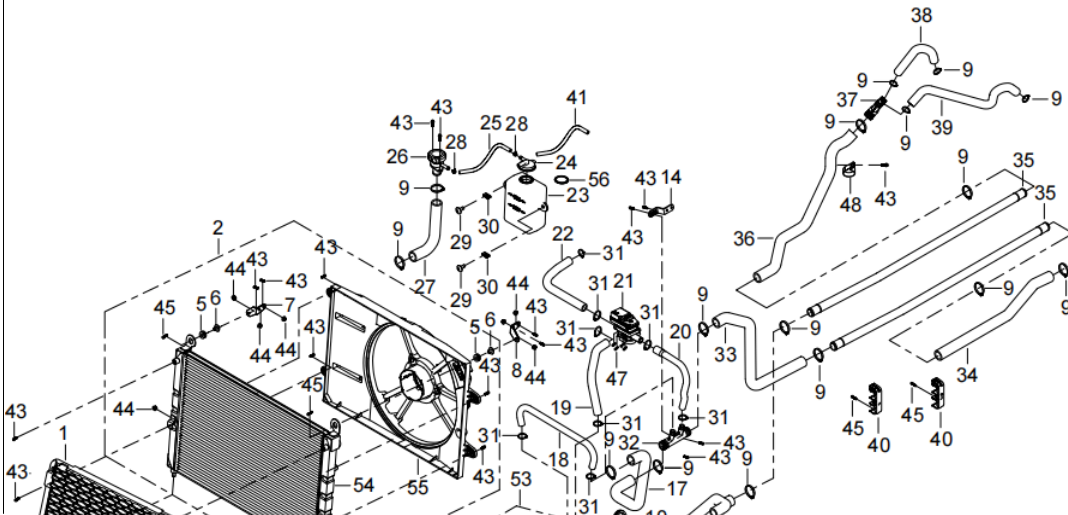


DIAGRAM COOLING SYSTEM(2 Door) F07-Part2



10	17012050170	Water Pipe Spacer Bush	2
11	16612090090	Thermostat Upper Cover	1
12	21140401601	Thermostat Element	1
13	16612090080	Thermostat Body	1
14	16812090050	Thermostat Mounting Plate	2
15	16812050010	Radiator Outlet Pipe 1 ,Radiator-Thermostat	1
16	16812050160	Radiator Outlet Pipe 2 ,Thermostat-Aluminum Pipe	1
17	16812050020	Radiator Inlet Pipe 1 ,Radiator-Four-Way	1
18	16812050210	Four-Way Outlet Pipe ,Four-Way-Thermostat	1
19	16812050150	Thermostat Outlet Pipe ,Thermostat-Evaporator	1
20	16812050230	Electric Water Valve Inlet Pipe ,Four-Way-Electric Water Valve	1
21	16814250500	Electric Water Valve	1
22	16812050140	Electric Water Valve Outlet Pipe ,Electric Water Valve-Evaporator	1
23	16812040000	Auxiliary Water Tank	1
Item #	SKU#	Description	Quantity
24	16812040030	Secondary Water Tank Cap	1
25	16812040070	Auxiliary Coolant Tank Connecting Pipe L=90	1
26	21040400913	Radiator Cap	1
27	16812050051	Water Inlet Pipe	1
28	11904070040	Spring Hose Clip φ10	2
29	03414060164	Inner Hexalobular Socket Pan Head Screws M6X16	2
30	04922060024	Plate Nut ,Long M6	2
31	21040401601	Clamp φ12-22	8
32	16612050190	Π-Junction	1
33	16812050030	Radiator Inlet Pipe 2 ,Four-Way-Aluminum Pipe	1

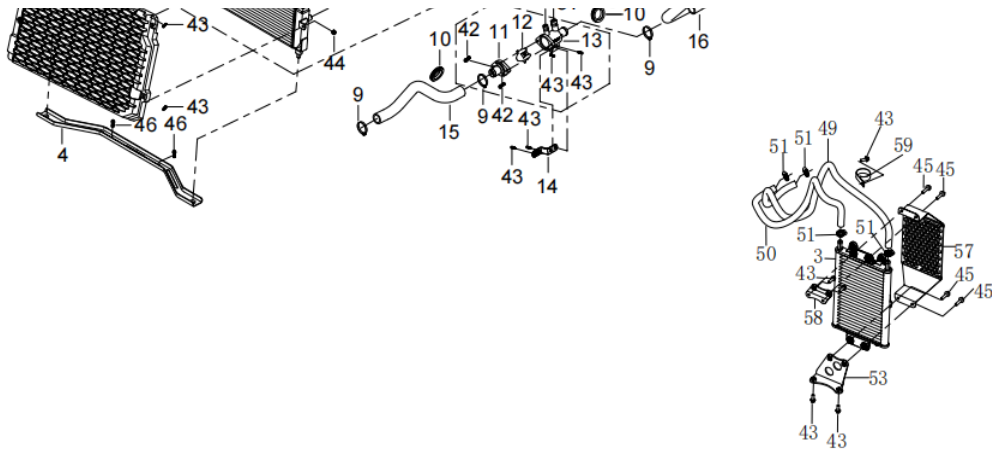
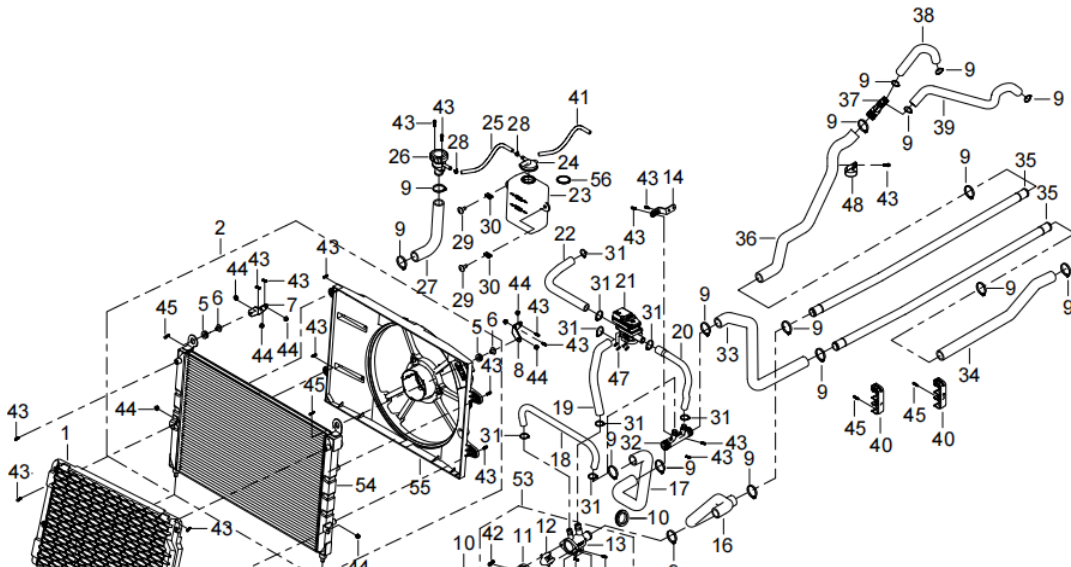
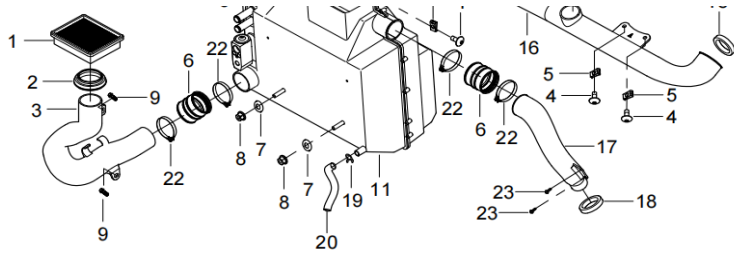


DIAGRAM COOLING SYSTEM(2 Door) F07-Part3

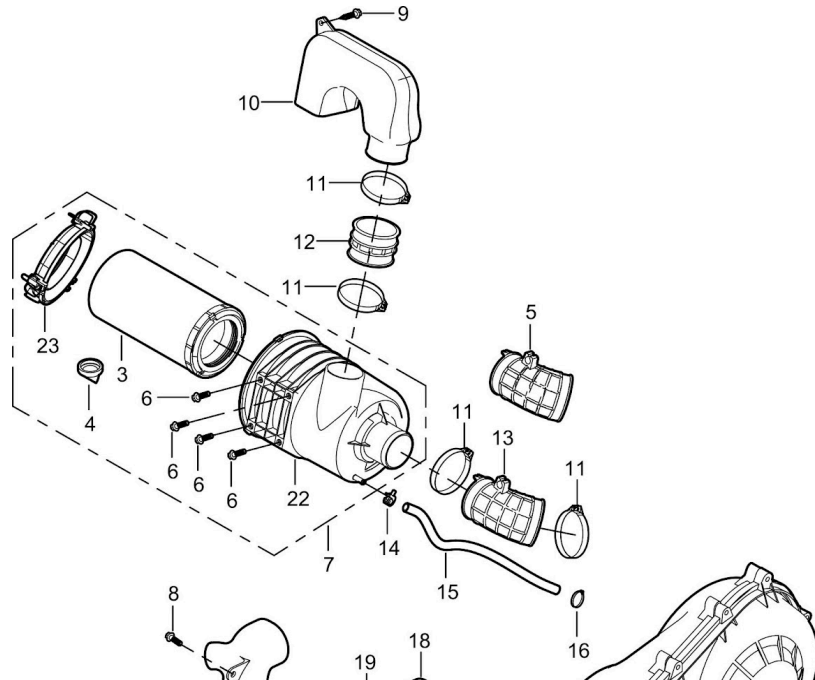


34	16812050040	Engine Inlet Pipe ,Aluminum Pipe-Engine	1
35	16712050240	Connecting Aluminum Pipe ,Two Door	2
36	16812050110	Engine Outlet Pipe 1 ,Aluminum Pipe-Y-shaped Tee Engine End	1
37	16612050410	Y-Junction	1
38	16812050070	Cylinder Outlet Pipe ,Y-shaped-first Cylinder	1
39	16812050130	Cylinder Outlet Pipe ,Y-shaped-second Cylinders	1
40	16812050090	Aluminum Pipe Clamp	4
41	16812040080	Auxiliary Coolant Tank Vent Pipe	1
42	01254060306	Hex Flange Bolt M6×30	2
43	01254060166	Hex Flange Bolt M6×16	23
44	04612060026	Hex Flange Locking Nut M6	8
45	01254060256	Hex Flange Bolt M6×25	10
46	01224080166	Hex Flange Bolt M8×16	2
Item #	SKU#	Description	Quantity
47	03714350205	Tapping Screws ST3.5x20	4
48	14712050430	Clip φ33	1
49	21170105401	Oil cooler pipe ,with joint	1
50	21140405201	Oil Cooler Pipe L=660mm ,1000Cc	1
50	21170105501	Oil Cooler Pipe L=770mm ,1000Cc	1
51	21040403801	Clamp	4
52	Z6612090000	Thermostat Assembly ,Air Conditioning Version	1
53	16812010260	Oil Cooler Mounting Plate,Bottem Side	1
54	21140402402	Radiator Fan Core	1
55	21140402403	Fan Assembly	1
56	16812040120	O-Ring Seal;For Auxilliary Water Tank	1

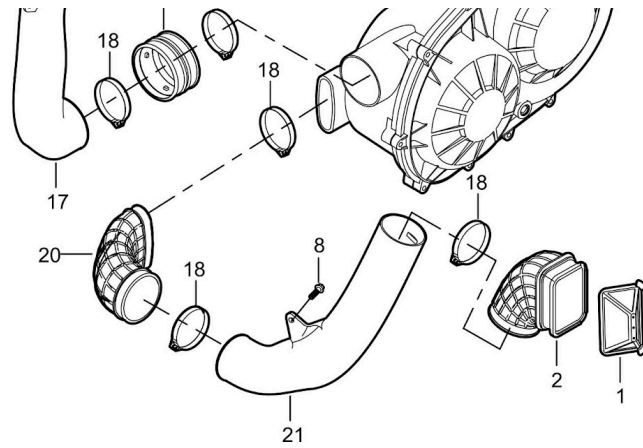


16	16814340020	A/C Outlet Duct ,A	1
17	16814340040	A/C Outlet Duct ,C	1
18	16814320140	A/C Pipe Seal Foam	10
19	16804070070	Clamp φ16	1
20	16814251060	Evaporator Drain Hose Assembly	1
21	16709190050	Warm air switch assembly	1
22	12304010090	Clamp,φ40-φ60	6
23	03714350205	Tapping Screws ST3.5x20	4
24	04612060026	Hex Flange Locking Nut M6	2
25	16812010180	Air Conditioning Duct Tee	1

DIAGRAM AIR FILTER & CVT INLET&OUTLET SYSTEM F09

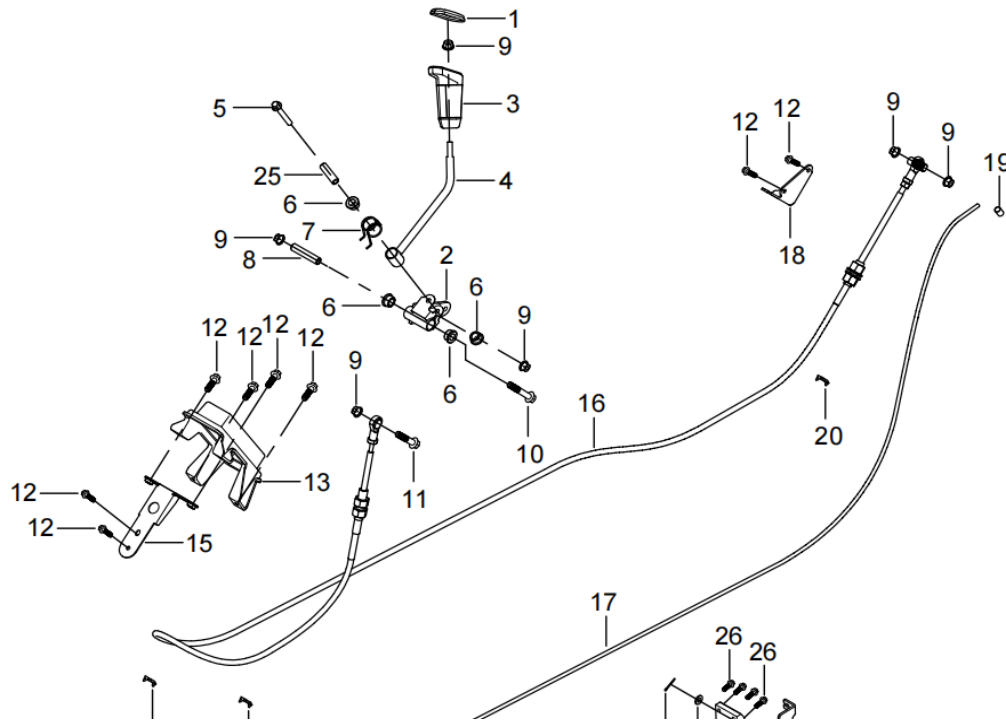


Item #	SKU#	Description	Quantity
1	16807030270	CVT Air Inlet Pipe Filter	1
2	16807030260	CVT Air Inlet Boot	1
3	21140402342	Air Filter	1
4	21140402361	Air Filter Drain Sleeve	1
5	21040118101	Air Filter 800cc Air Intake Pipe 1	1
6	01224080166	Hex Flange Bolt M8×16	4
7	21140402301	Air Filter With Housing	1
8	01254060166	Hex Flange Bolt M6×16	2
9	03734550204	Hexalobular Socket Pan Head Tapping Screws	1
10	16807020170	Primary Air Filter	1
11	21051101201	Clamp φ60-80	4
12	16807020150	Primary Air Filter Rubber Sleeve	4
13	21140105301	Air Filter 1000cc Air Intake Pipe 1	1
14	16804070070	Clamp φ16	1



15	21140105401	Crankcase Ventilation Pipe	1
16	21130103201	Clamp	1
17	16807040000	CVT Exhaust Pipe	1
18	16607030030	Clamp φ80-φ100	5
19	16807040010	CVT Exhaust Pipe Boot	1
20	16807030010	CVT Intake Pipe Boot	1
21	16807030000	CVT Intake Pipe	1
22	21140402311	Air Filter Upper Shell	1
23	21140402321	Air Filter End Cover	1

DIAGRAM SHIFT AND THROTTLE CONTROL SYSTEM F10

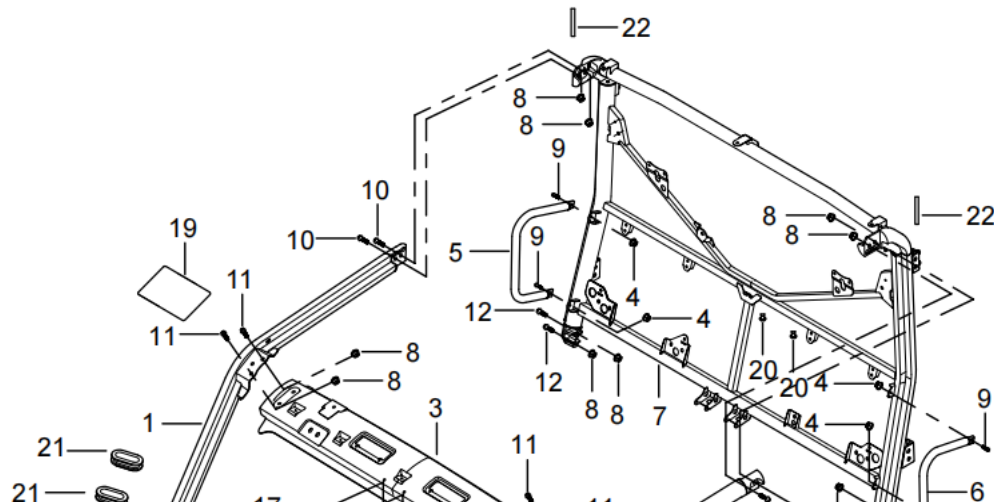


Item #	SKU#	Description	Quantity
1	16811060220	Shift Lever Upper Cover	1
2	16811060111	Gearshift Lever Cross Shaft	1
3	16811060230	Shift Lever Lower Cover	1
4	16811060101	Shift Lever	1
5	01214080556	Hex Flange Bolt M8X55	1
6	13205050061	Steering Nylon Sleeve	4
7	16811060150	Return Spring	1
8	14711060141	Neck Bush,Long	1
9	04612080026	Hex Flange Locking Nut M8	5
10	01214080806	Hex Flange Bolt M8×80	1
11	01224080356	Hex Flange Bolt M8×35	1
12	01254060166	Hex Flange Bolt M6×16	8
13	16810360000	Shift Plate	1
14	05011250205	Cotter Pin φ4.0X40	1
15	16811060030	Shift Support Plate	1



16	16811030000	Shift Cable,Four Door	1
16	16711030000	Gearshift Cable ,Two Door	1
17	16811010190	Throttle Cable,Four Door	1
17	16711010190	Accelerator Cable ,Two Door	1
18	16611060021	Fixed Plate, Gear Shift Cable	1
19	21040505601	Copper Buckle	1
20	16809010300	Gearshift Cable Clamp ,Three-Pipe Clip	3
21	06119092005	Washer φ8.5×φ20×2	1
22	16111010270	Throttle Pedal Mounting Base	1
23	16111010090	Throttle Pedal Return Spring	1
24	16111010100	Throttle Pedal	1
25	14711060131	Neck Bush,Short	1
26	03344060205	Countersunk Allen Screw M6X20	4

DIAGRAM ROLL BAR (TWO DOOR) F11



Item #	SKU#	Description	Quantity
1	16808080050	Front Roll Bar,RH	1
2	16808070050	Front Roll Bar,LH	1
3	16808050160	Front Windshield Frame Connection Plate	1
4	04612080026	Hex Flange Locking Nut M8	4
5	16808080020	Hand Rail ,RH	1
6	16808070020	Hand Rail ,LH	1
7	16708060001	Rear Canopy Rod , Two Door	1
8	04612100024	Hex Flange Locking Nut M10×1.25	8
9	03414080254	Inner Hexagonalobular Socket Pan Head Screw M8×25	4
10	01256100354	Hexagonal Flange Bolts ,Black	4
11	01256100206	Hex Flange Bolt M10×20×1.25	4

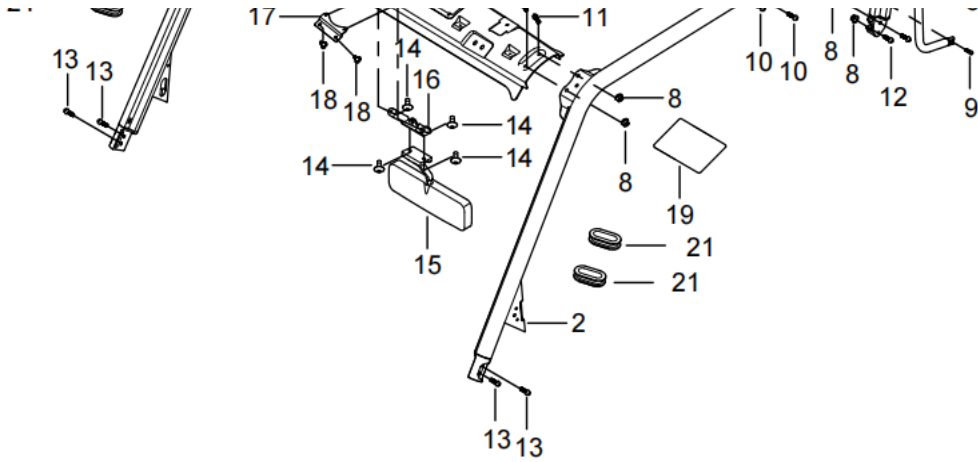
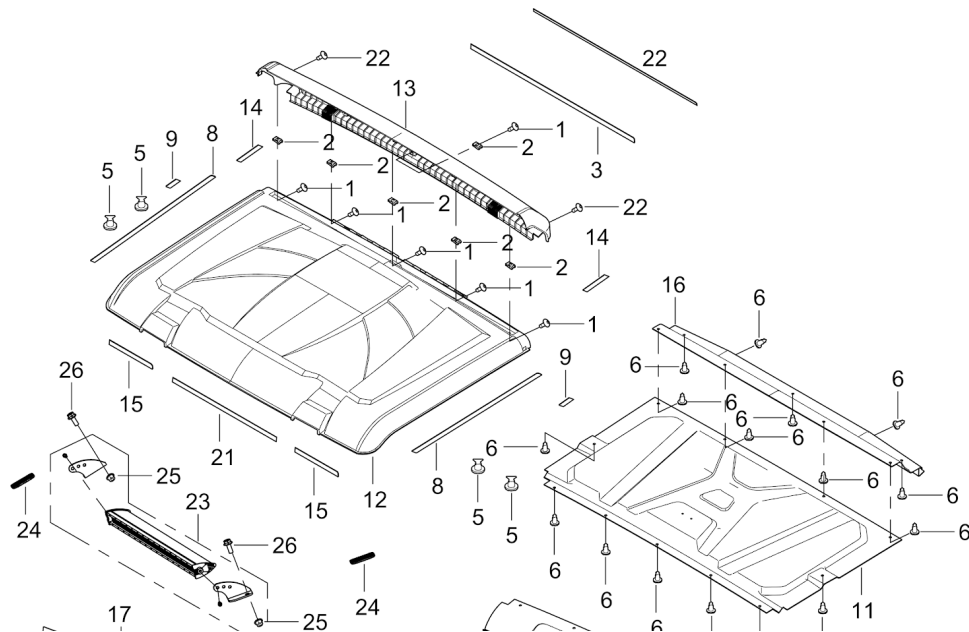


DIAGRAM ROOF (TWO DOOR) F12



12	01256100656	Hex Flange Bolt M10×65×1.25	4
13	01256100306	Hex Flange Bolt M10X30X1.25	4
14	03414060164	Inner Hexalobular Socket Pan Head Screws M6X16	4
15	16814270001	Inner Mirror	1
16	16814270010	Inner Rearview Mirror Mounting Plate	1
17	16814110380	Front Windshield Pressure Plate	1
18	16814100090	Roof Cushion Pad	4
19	16808050170	Front Canopy Rod Connection Plate Gasket	2
20	10710150170	Dump Bed Rubber Rubber φ14Xφ25X16	2
21	16608050120	Frame Bar Wire Sleeve	4
22	16808050180	Canopy Joint Weatherstrip	2

Item #	SKU#	Description	Quantity
1	03414060164	Inner Hexalobular Socket Pan Head Screws M6X16	5
2	04922060024	Plate Nut ,Long M6	11
3	16614100180	Roof Joint Seal Strip L=1650mm	1
4	01254060166	Hex Flange Bolt M6×16	2
5	16814100090	Roof Cushion Pad	4
6	16510340420	Plastic Push Pin	20
7	16809550000	Reading Light	1
8	16814100190	Roof Seal Strip 1 L=185mm	2
9	16814100220	Roof Seal Pad	6
10	16814100121	Front Windshield Frame Felt ,Front Upper	1
11	16814100061	Front Windshield Frame Felt ,Back	1
12	16814100010	Roof ,Front	1
13	16814100030	Roof ,Back	1

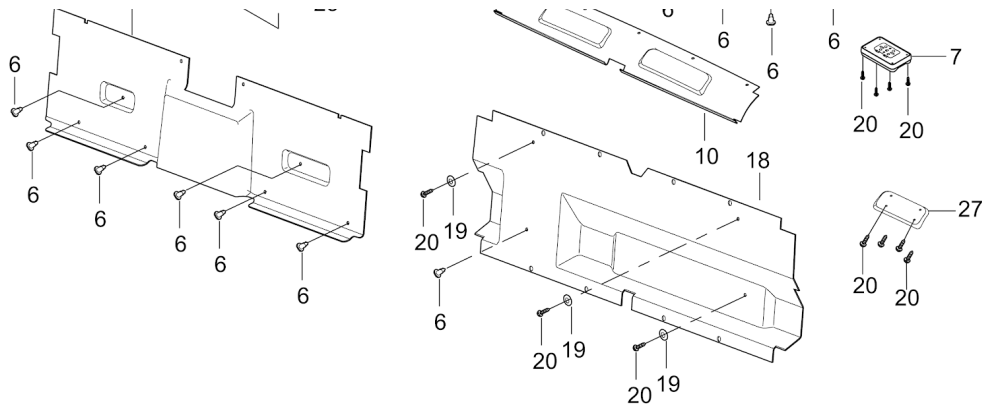
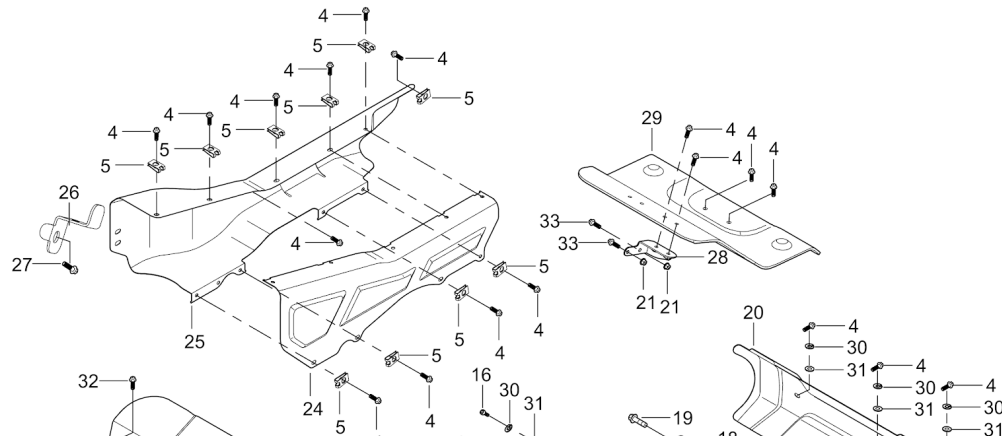
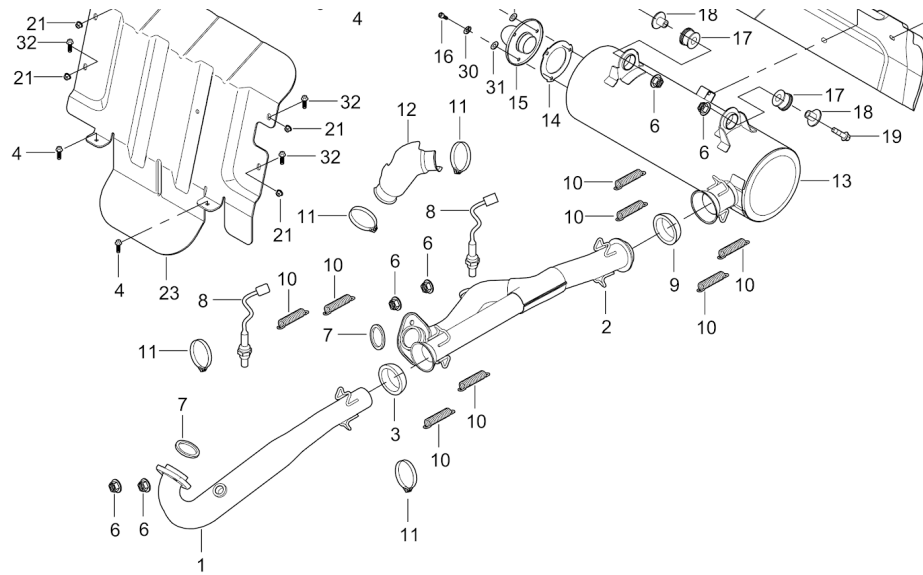


DIAGRAM EXHAUST SYSTEM F13



14	16814100190	Roof Seal Strip 2 L=185mm	2
15	16814100180	Roof Seal Strip 1 L=175mm	1
16	16814320331	Rear Roll Bar Felt	1
17	16814320300	Seat Felt	1
18	16810120040	Backrest Felt	1
19	06119051805	Washer φ5×φ18×1.5	4
20	03714350125	Tapping Screws St3.5X12	4
21	16814100180	Roof Seal Strip 1 L=175mm	1
22	03414060124	Inner Hexagonalobular Socket Pan Head Screw M6×12 ,Black	2
23	16509280070	Led Light Bar	1
24	16509280090	Led Light Bar Mounting Rubber	2
25	04612080024	Hexagon Flange Locking Nut	2
26	01214080204	Hex Flange Bolt M8X20	2
27	16814100321	Roof decoration cover	1

Item #	SKU#	Description	Quantity
1	16707010060	First Cylinder Exhaust Pipe ,650Cc	1
2	16707010071	Second Cylinder Exhaust Pipe ,650Cc	1
3	004-EN-1200-0001-00	Graphite Seal Sleeve ,First Cylinder	1
4	01254060166	Hex Flange Bolt M6×16	22
5	17007010780	Clip M6	10
6	04512080025	Hex Flange Locking Nut M8	6
7	21040400101	Exhaust Gasket	2
8	21040400701	O2 Sensor	2
9	17007010170	Graphite Seal Cartridge,Small	1
10	17007010340	Exhaust Pipe Tension Spring	8



11	14607010700	Clamp,φ21-φ44	4
12	16807010290	Second Cylinder Exhaust Pipe Heat Shield ,Universal	1
13	16707010020	Muffler	1
14	17007100820	Graphite Washer	1
15	16807010770	Tail Exhaust Assembly	1
16	04312060023	Cap Nut M6	3
17	13607010140	Muffler Hang Rubber Sleeve	2
18	13607010190	Muffler Hang Neck Bushing	2
19	01224080356	Hex Flange Bolt M8×35	2
20	17007010320	Muffler Body Protective Board	1
21	04612060026	Hex Flange Locking Nut M6	5
22	04512060127	Rivet Nut M6	2
23	16810220010	Engine Heat Shield ,Front	1
24	16807010421	Exhaust Pipe Heat Shield ,Outer	1
25	16807010411	Exhaust Pipe Heat Shield ,Inner	1
26	16807010761	Exhaust Pipe Heat Front Mounting Plate	1
27	01225100206	Hex Flange Bolt M10X20X1.5	2
28	16808630030	Transmission Heat Plate Rear Mounting Plate	1
29	16808630070	Transmission Heat Plate ,Back	1
30	06619061003	Spring Washer φ6	7
31	06119061203	Washer φ6Xφ12X1	7
32	03414060204	Inner Hexalobular Socket Pan Head Screws M6×20	4
33	01224060255	Hex Flange Bolt M6X25	6

DIAGRAM 2026 AODES SEATS (TWO DOOR) F14

Item #	SKU#	Description	Quantity
1	16714090540	Seat,Black	2

41 41

17 13

17 13

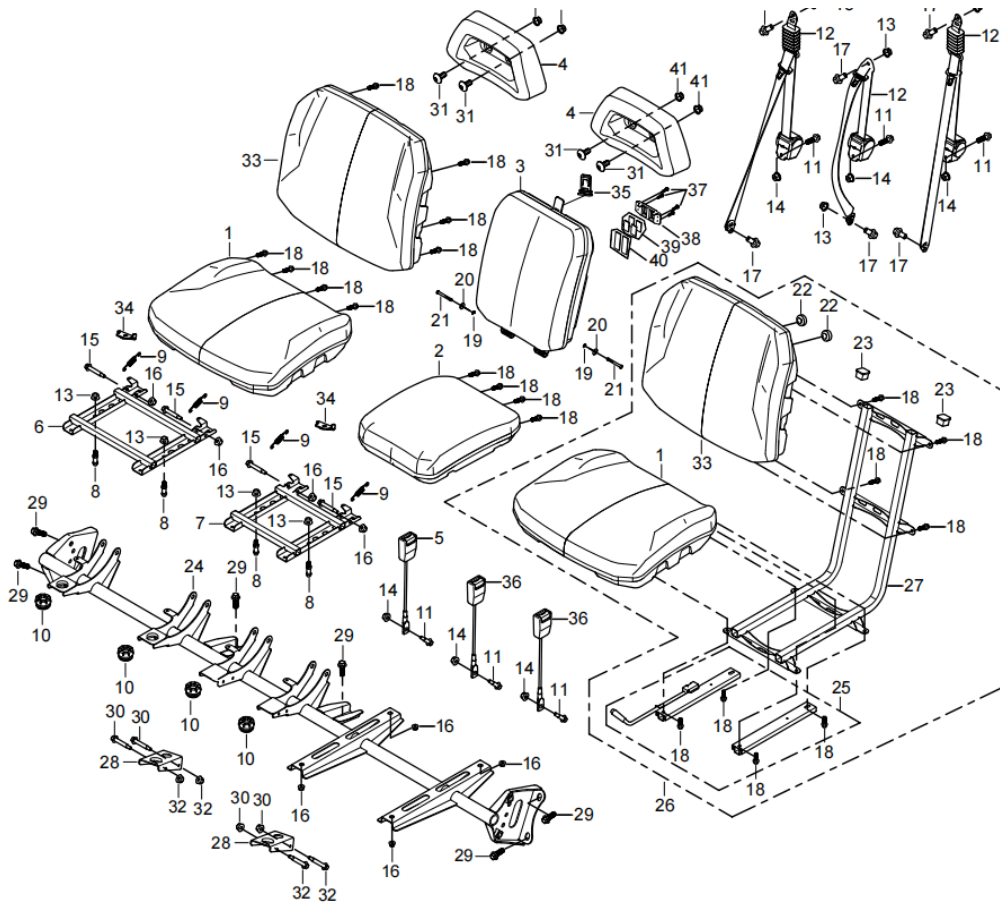


DIAGRAM 2026 AODES SEATS (TWO DOOR) F14



2	16814090650	Middle Seat Cushion	1
3	16814090660	Middle Backrest ,with Rubber Buckle	1
4	16114090560	Seat Headrest	2
5	16811090030	Seat Belt Fixation Lock	1
6	16808230000	Passenger Seat Cushion Mounting Bracket	1
7	16808240000	Middle Seat Cushion Mounting Bracket	1
8	16114090110	Seat Fixing Pin	4
9	16814020260	Seat Cushion Spring	4
10	16114020010	Seat Rubber Washer	4
11	01244110302	Hex Flange Bolt M11X30	6
12	16811090010	Seat Belt	3
13	04622100026	Heagon Flange Locking Nut M10X1.25	4
14	04212110022	Heagon Flange Locking Nut M11×1.25	6
15	01824081506	Hex Flange Step Bolt M8	4
16	04612080026	Hex Flange Locking Nut M8	8
17	01824100225	Step Bolt M10×22,φ14-5	6
18	03414080164	Inner Hexalobular Socket Pan Head Screws	16
19	07031050501	E Type Snap Ring	2
20	10914110060	Rubber Pad φ7Xφ20X2	2
21	17014020270	Seat Base Shaft Pin	2
22	10710150170	Dump Bed Rubber Rubber φ14Xφ25X16	2
23	16808720050	Rubber Plug	2
24	16808750000	Front Seat Bracket	1
Item #	SKU#	Description	Quantity
25	16814090071	Driver Seat Slide	1

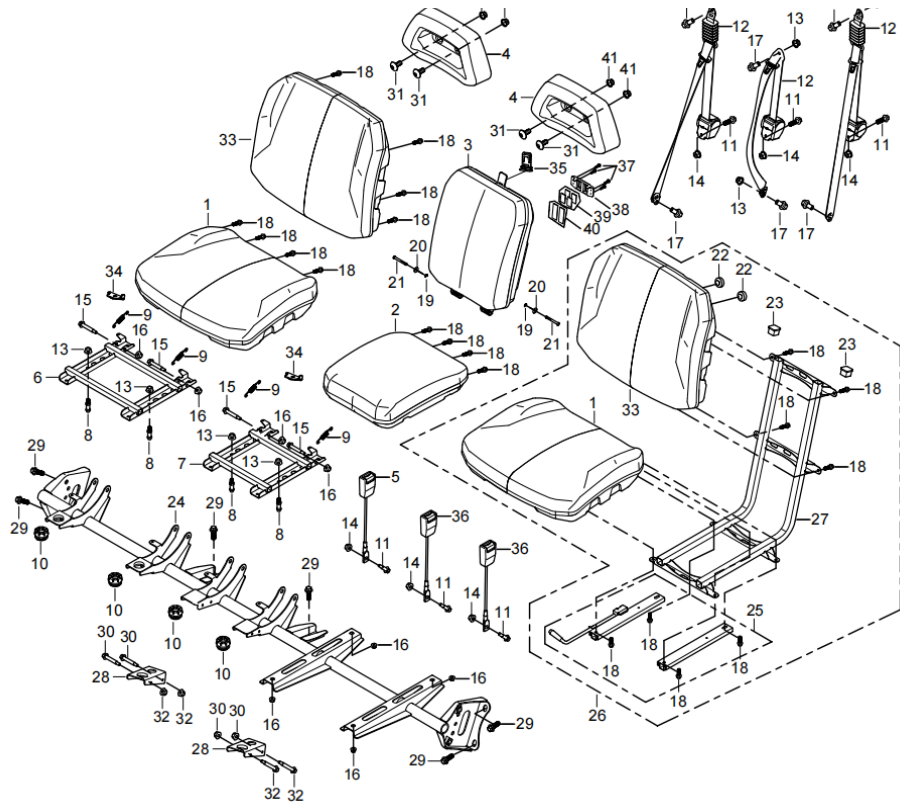
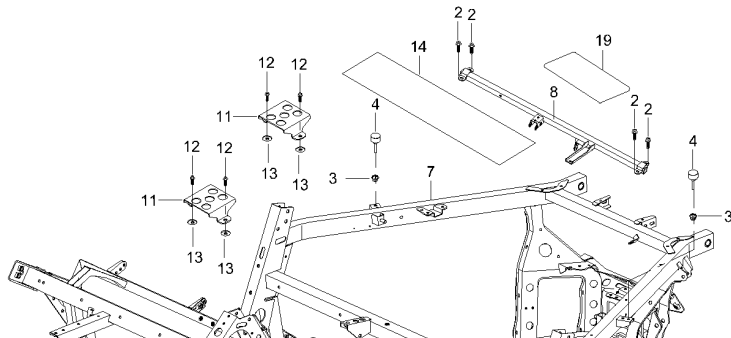
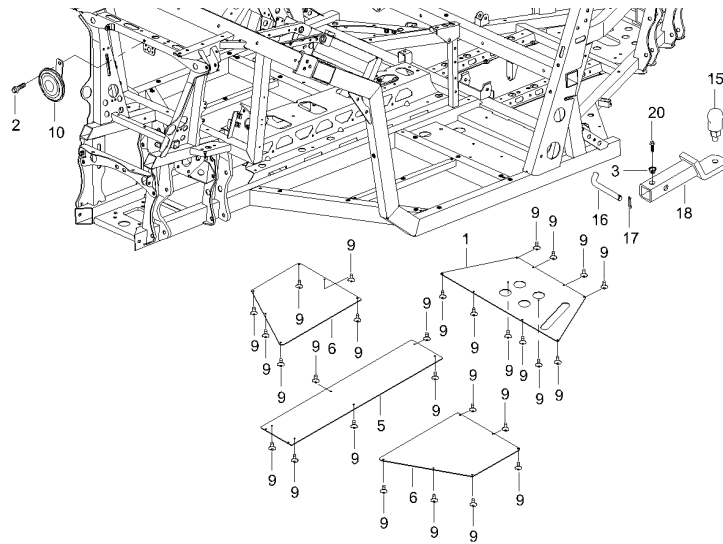


DIAGRAM 2026 AODES FRAME (TWO DOOR) F15



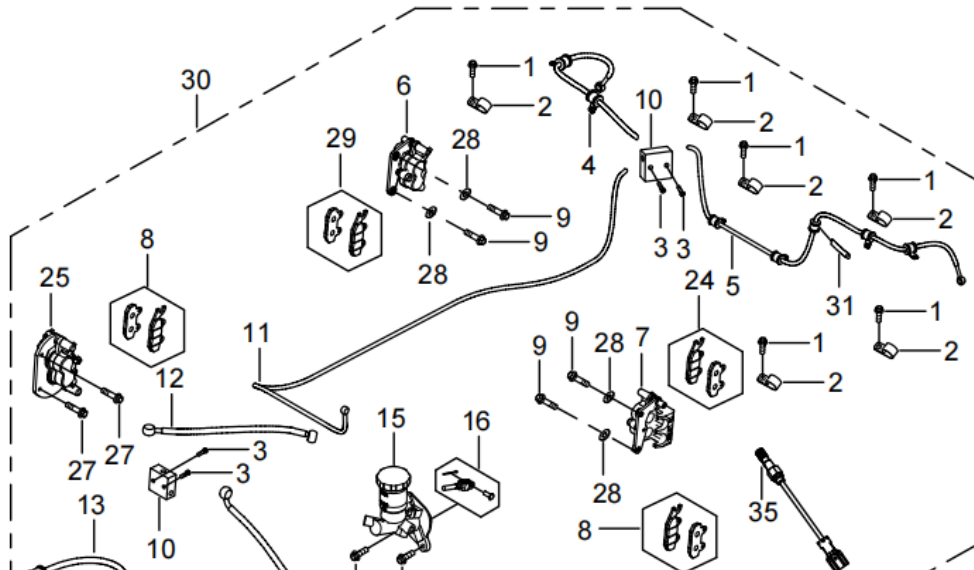
26	16814090000	Main Seat Combination	1
27	16808760010	Driver Seat Bracket	1
28	16814020050	Intermediate Seat Cushion Rubber Mounting Plate	2
29	01256100206	Hex Flange Bolt M10×20×1.25	4
30	01214060656	Hex Flange Bolt M6×65	4
31	03414060164	Inner Hexalobular Socket Pan Head Screws M6X16	4
32	04612060026	Hex Flange Locking Nut M6	4
33	16714020150	Backrest ,Base Model	2
34	16814020300	Seat Cushion Rotation Limiting Plate	2
35	16814090701	Ubber Strip	1
36	16811090150	Seat Belt Fixation Lock	2
37	03714350125	Self-Tapping Screw, ST3.5×12	4
38	16814020530	Seat Back Magnetic Base	1
39	16814020540	Seat Back Magnet	4
40	16814100090	Canopy Buffer Pad	1
41	04612060024	Hex Flange Locking Nut M6	4

Item #	SKU#	Description	Quantity
1	16708010070	Engine Lower Underguard	1
2	01224080206	Hex Flange Bolt M8×20	4
3	04212080025	Hex. Nut M8	3
4	16810150170	Cargo Cushion Rubber Pad	2
5	16708010060	Front Frame Skid Plate ,Two Door	1
6	16808010090	Front Frame Skid Plate ,Two Door	2
7	16708010002	Frame	1
8	16802110001	Engine Suspension Bracket	1

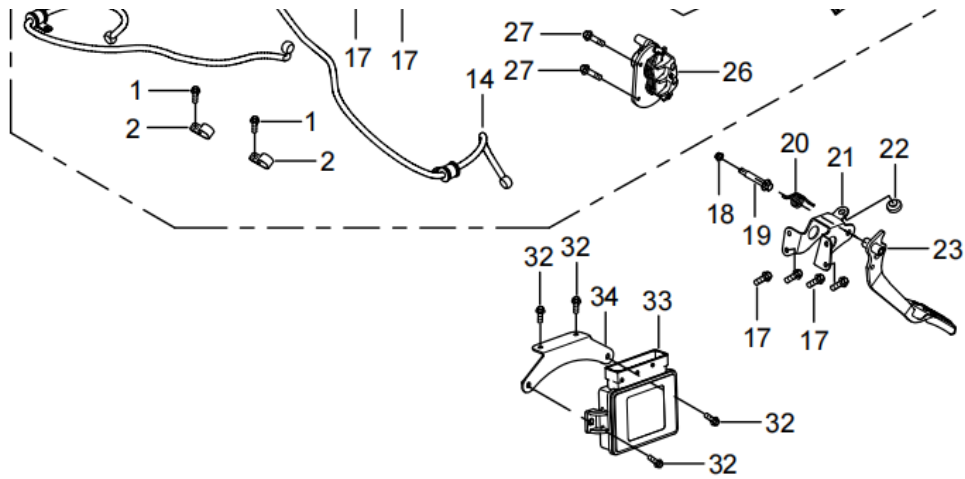


9	03414060164	Inner Hexalobular Socket Pan Head Screws M6X16	31
10	17309100000	Horn,E9-006692	1
11	16810320090	Driveshaft Shield Lower Support Plate	2
12	01254060166	Hex Flange Bolt M6×16	4
13	06119062605	Washer φ6×φ26×2	2
14	16807010280	First Cylinder Exhaust Pipe Front Heat Shield 1	1
15	17008420010	Tow Ball 2"	
16	16808420031	Tow Ball Fixed Pin	1
17	10908420041	Tow Ball Pin	1
18	10908420081	Trailer pothook	1
19	16807010300	First Cylinder Exhaust Pipe Front Heat Shield 2	1
20	01224080355	Hex Flange Bolt M8×35	1

DIAGRAM 2026 AODES BRAKING SYSTEM F16



Item #	SKU#	Description	Quantity
1	01224060125	Hex Flange Bolt M6×12	8
2	10406010090	Clamp ,For Brake Oil Pipe	12
3	01254060306	Hex Flange Bolt M6×30	4
4	16806010250	Brake Hose 4, Rear Brake Clamp,RH	1
5	16806010260	Brake Hose 3, Rear Brake Clamp, LH	1
6	16806010140	Rear Brake Caliper, RH	1
7	16806010150	Rear Brake Caliper,LH	1
8	15106010060	Brake Pad,Front	2
9	01256100306	Hex Flange Bolt M10X30X1.25	4
10	17006010460	Rear Tee-Junction	2
11	16706010180	Front Master Pump Copper Pipe Assembly , Two Door	1
12	16806010220	Master Pump Hose Assembly	1

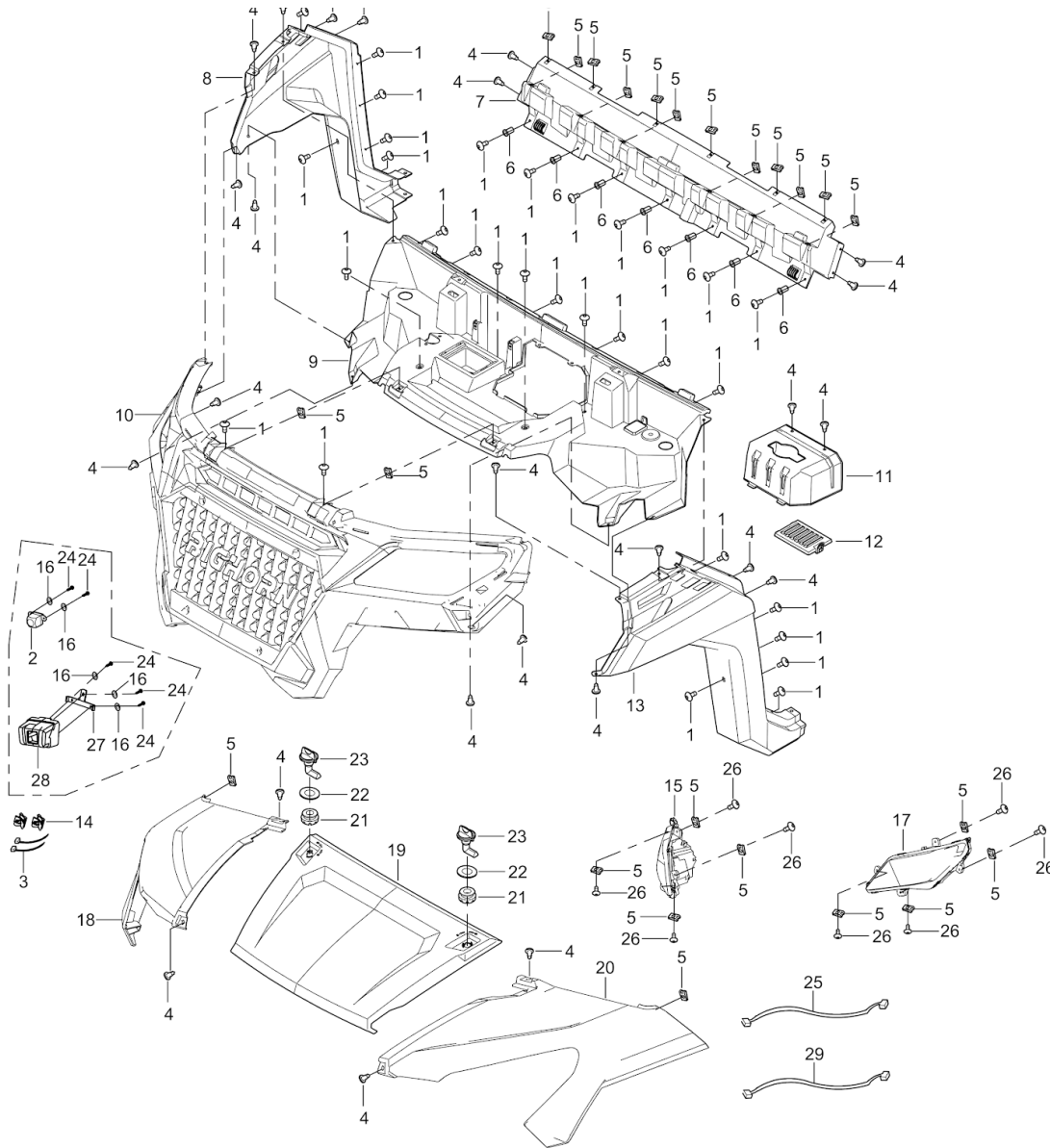


13	16801060170	Front Right Slave Pump Hose Assembly	1
14	16806010160	Front Left Slave Pump Hose Assembly	1
15	16806010270	Brake Pump	1
16	15106010470	Brake Rod Of Master Cyliner	1
17	01224080256	Hex Flange Bolt M8×25	6
18	04612080026	Hex Flange Locking Nut M8	1
19	01824081506	Hex Flange Step Bolt M8	1
20	16106030021	Brake Pedal Return Spring	1
21	16806020000	Foot Brake Support Plate	1
22	10710150170	Dump Bed Rubber Rubber φ14Xφ25X16	1
23	16806030000	Foot Brake Pedal	1
24	14606010650	Brake Pad,Rear ,LH	1
25	16806010310	Front Brake Calliper,RH	1
26	16806010320	Front Calliper,LH	1
27	01256100256	Hex Flange Bolt M10X25X1.25	4
28	06119102005	Washer φ10.5×φ20×2	4
29	14606010660	RH Rear Brake Pad	1
30	16706010541	Disc Brake Assembly ,Two Door	1
31	21040402401	Wire holder	1
32	01254060166	Hex Flange Bolt M6×16	4
33	16806010790	Electronic Parking Controller	1
34	16806010780	Parking Controller Bracket	1
35	TSK0340011	Hydraulic Pressure Switch	1

DIAGRAM 2026 AODES FRONT PANEL F17

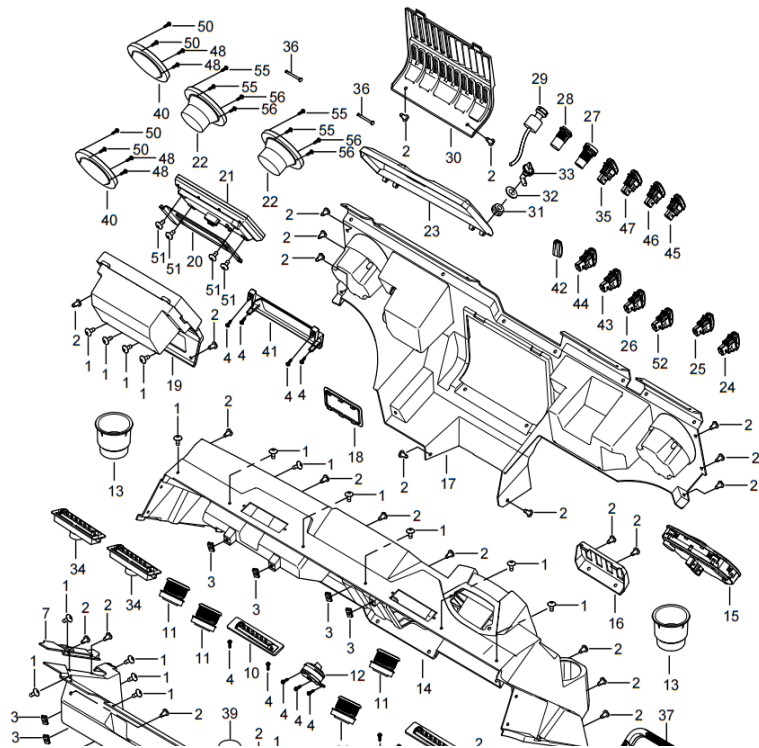
Item #	SKU#	Description	Quantity
1	03414060164	Inner Hexalobular Socket Pan Head Screws M6X16	35

4 1 4 4
 4 1 4 4



2	16814240010	Square Camera	1
3	90103040052	Nylon Cable Tie, 5x250	2
4	10410190000	Push Pin M8X15	18
5	04922060024	Plate Nut ,Long M6	23
6	04512060127	Rivet Nut M6	9
7	16810270180	Dashboard Bracket	1
8	16810290040	Front Guard Plate,RH	1
9	16810270190	Front Panel Liner	1
10	16810202230	Front Headlight Cover	1
11	16810740010	Front Service Cover	1
12	16810160420	A/C Intake Grille	1
13	16810290030	Front Guard Plate,LH	1
14	90103040057	Metal Plate Zip Ties	2
15	16809060650	Headlight,RH	1
16	06119040905	Flat Washer	5
17	16809060640	Headlight,LH	1
18	16810160850	Front Panel, RH - True Timber	1
18	16810160870	Front Panel, RH - Titanium Gray	1
18	16810160940	Front Panel, RH - Military Green	1
19	16810160500	Front Panel ,Center ,Titanium Gray	1
19	16810160240	Front Panel ,Center ,True Timber	1
19	16810160620	Front Panel, Center - Military Green	1
20	16810160840	Front Panel,LH,True Timber	1
20	16810160860	Front Panel,LH,Titanium Gray	1
20	16810160930	Front Panel, LH - Military Green	1
21	16108150080	Hood Rubber Washer	2

DIAGRAM DASH BOARD (WITH HVAC OR HV) F18 Part-1



Item #	SKU#	Description	Quantity
22	06219162205	Washer φ16×φ22×2	2
23	16110260130	Rotation Switch	2
24	03714350125	Tapping Screws ST3.5X12	5
25	1681420070	Front Camera Connet Cable	1
26	03414060204	Inner Hexalobular Socket Pan Head Screws M6×20	8
27	16814240210	Front Camera Fixed Bracket	1
28	16814240200	Front Camera Mounting Base	1
29	16814150310	Traction machine switch transfer line	1
1	03414060164	Inner Hexalobular Socket Pan Head Screws M6X16	23
2	10410190000	Push Pin M8X15	31
3	04922060024	Plate Nut ,Long M6	14
4	03714420125	Tapping Screws St4.2X12	7
5	16810650000	Throttle Cable Decorative Cover	1
6	16810580000	Front Inner Fender	1
7	16810380010	Front Inner Fender Left Small Cover	1
8	16810380020	Front Inner Fender Right Small Cover	1
9	16810260020	Instrument Panel Service Cover	1
10	16814310120	Adjustable Vent ,Square	2
11	16814310070	Adjustable Vent ,Round	4
12	16709320000	2Wd/4Wd Switch	1
13	16810350010	Cup Holder	2
14	16810270000	Dash Board	1
15	16809160000	Dash Display	1
16	16810270060	Switch Service Cover	1

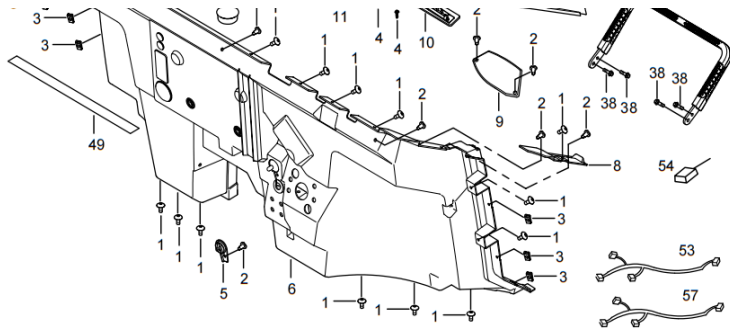
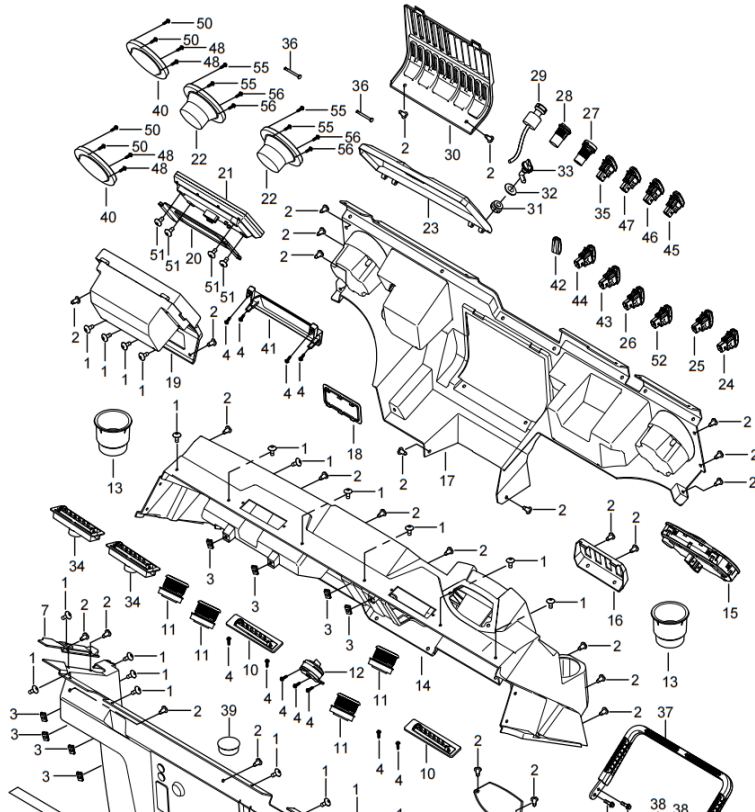


DIAGRAM DASH BOARD (WITH HVAC OR HV) F18 Part 2



Item #	SKU#	Description	Quantity
17	16810270080	Dashboard Lower Guard Plate	1
18	16810200170	A/C Switch Decorative Cover	1
19	16810270071	Central Control Screen Mounting Cover	1
20	16809120010	Central Control Screen Mounting Plate	1
21	16809610100	Central Control Screen	1
22	16809420020	Speaker	2
23	19310630270	Storage Box Cover	1
24	16809190010	Headlight Switch	1
25	16709190390	Position Light Switch	1
26	16809190030	Switch Of Horn	1
27	13609300001	Power Socket	1
28	17009300010	Usb Socket	1
29	17709040000	Ignition Switch	1
30	16810030070	A/C Maintenance Cover	1
31	16108150080	Hood Rubber Washer	1
32	06219162205	Washer φ16×φ22×2	1
33	16110260130	Rotation Switch	1
34	16814310160	Adjustable Vent ,Square Lower Support Plate	2
35	16809190140	Rear Drive Lock Switch	1
36	16814210060	Rear Trunk Pin	2
37	16808100000	Passenger Armrest	1
38	01214080205	Hex Flange Bolt M8X20	4
39	16814310140	Air Outlet Rubber Plug	1
40	16809420080	Speaker Decorative Cover	2

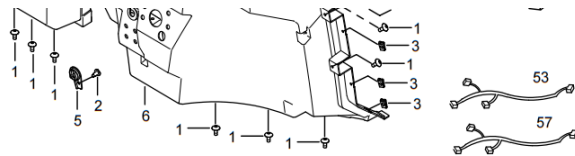
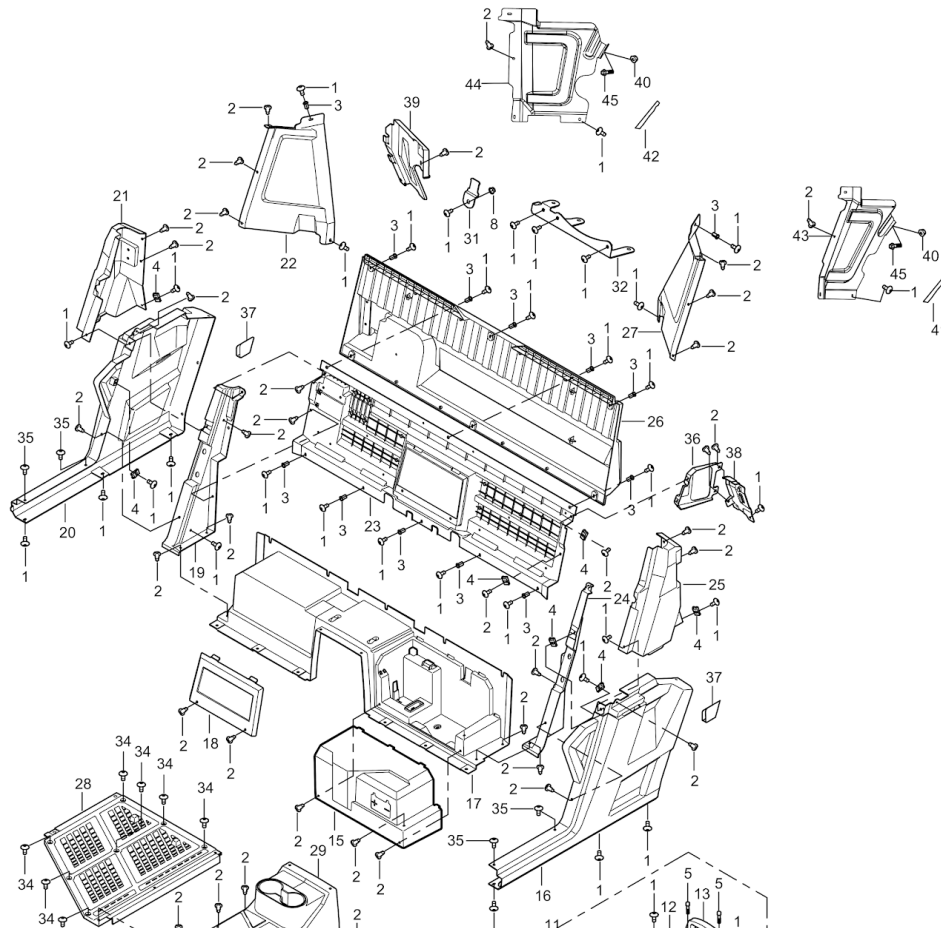
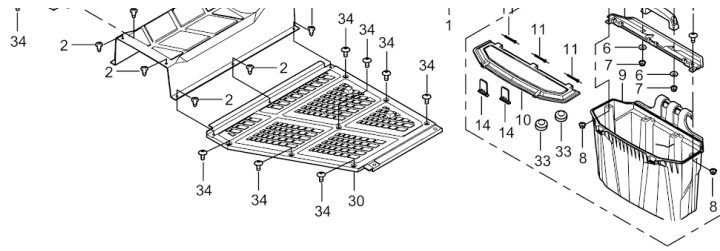


DIAGRAM REAR MUDGUARD AND FOOTBOARD (TWO DOOR)F19

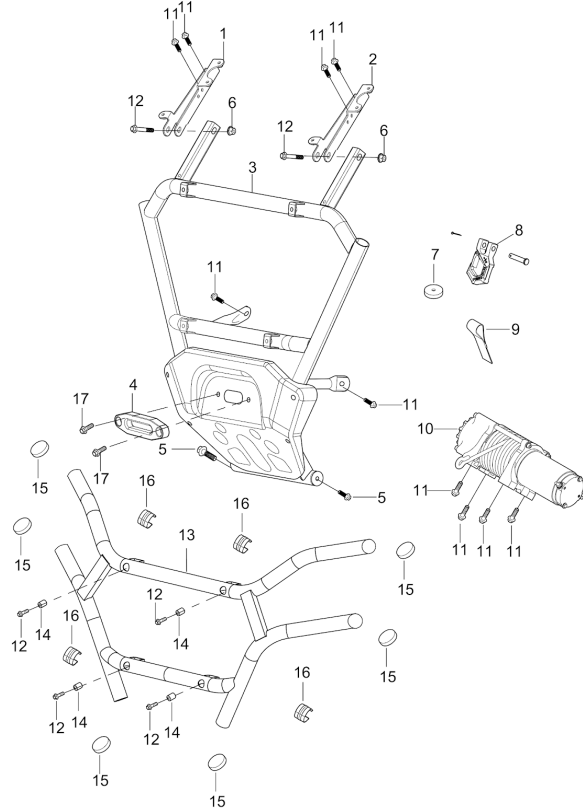


Item #	SKU#	Description	Quantity
1	03414060164	Inner Hexalobular Socket Pan Head Screws M6X16	45
2	10410190000	Push Pin M8X15	56
3	04512060127	Rivet Nut M6	14
4	04922060024	Plate Nut ,Long M6	10
5	03344080255	Hexagon Socket Cap Screws M8×25	2
6	06119091605	Washer φ8.5×φ16×1.5	2
7	04612080026	Hex Flange Locking Nut M8	2
8	04612060026	Hex Flange Locking Nut M6	2
9	16710630010	Storage Box	1
10	16810630150	Storage Box Cover 2	1
11	16814210060	Rear Trunk Pin	3
12	16810630160	Storage Box Cover 1	1
13	16614100050	Handle	1
14	16810410040	Storage Box Cover Trim	2
15	16809090040	Battery Cover	1
16	16810290111	LH Lower Rear Side Panel Outer	1
17	16809090130	Seat Bottom Guard Plate	1
18	16810280040	Seat Back Guard Plate 2	1
19	16810290060	Rear Side Panel Inner ,RH	1
20	16810290121	RH Lower Rear Side Panel Outer	1



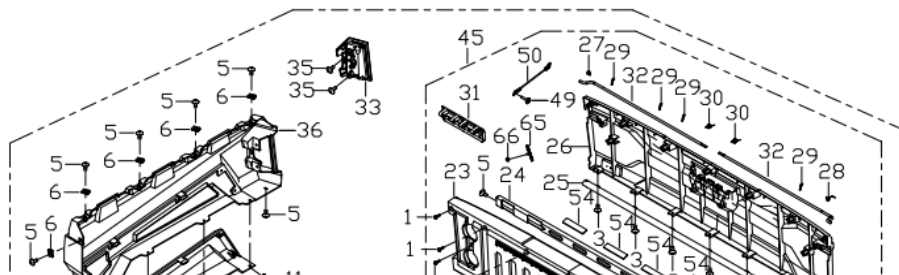
21	16810290160	RH Upper Rear Side Panel	1
22	16810330040	Rear Mudguard,RH	1
23	16810280030	Seat Back Guard Plate 1	1
24	16810290050	Rear Side Panel Inner,LH	1
25	16810290150	LH Upper Rear Side Panel	1
26	16810280000	Seat Back Guard Plate	1
27	16810330030	Rear Mudguard,LH	1
28	16810080020	Front Foot Pedal ,RH	1
29	16810320000	Front Transmission Shaft Shield	1
30	16810080010	Front Foot Pedal,LH	1
31	16809350060	Fan Controller Mounting Plate	1
32	16809010160	Fuse Box Mounting Plate	1
33	16810630210	Cargo Box Bottom Rubber	2
34	03414060204	Inner Hexalobular Socket Pan Head Screws M6×20	14
35	03414060254	Inner Hexalobular Socket Pan Head Screws M6×25	4
36	16807030230	CVT Intake Mounting Cover	1
37	16810341050	Door Rear Seal Block	2
38	16807030190	CVT Intake Cover	1
39	16807020200	Air Filter Intake Dust Shield	1
40	04612080026	Hex Flange Locking Nut M8	2
41	16510340140	Windshield Scratch Guard	1
42	16510340140	Windshield Scratch Guard	1
43	16810380120	CVT Mud Guard, LH	1
44	16810380130	CVT Mud Guard, RH	1
45	01224080206	Hex Flange Bolt M8×20	2

DIAGRAM FRONT WINCH AND BUMPER F20

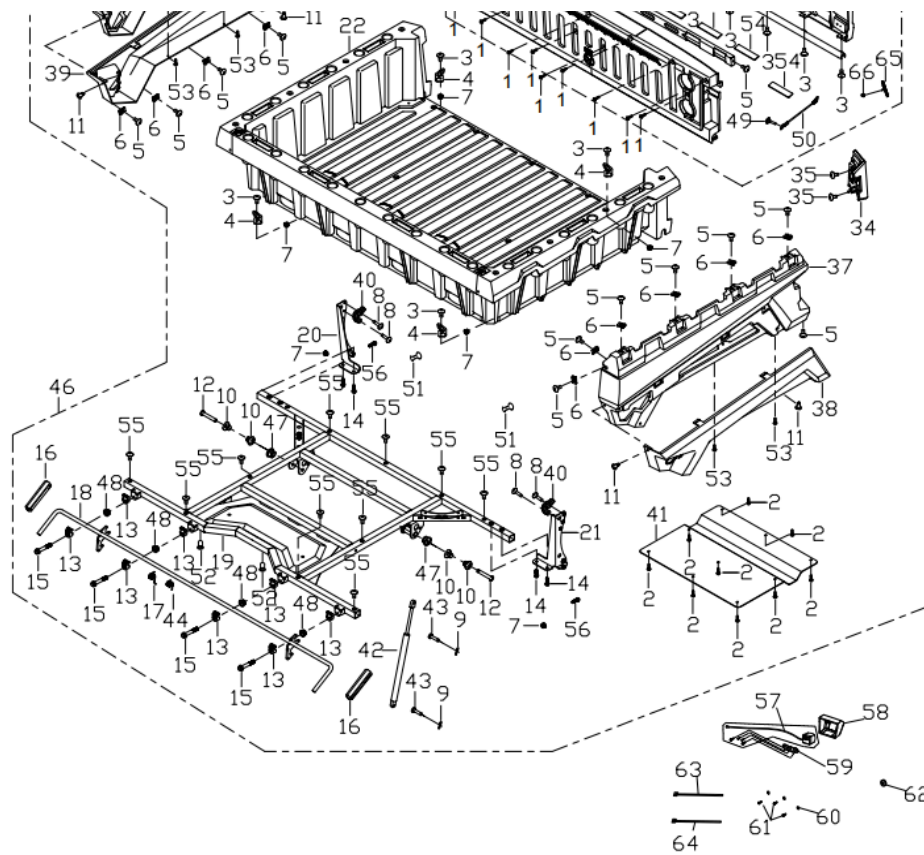


Item #	SKU#	Description	Quantity
1	16808420120	Towing Machine Bracket Upper Mounting Plate,RH	1
2	16808420110	Towing Machine Bracket Upper Mounting Plate,LH	1
3	16808860002	Winch Bracket	1
4	17014150111	Winch Front Roller Bracket (Aluminum Alloy)	1
5	01256100206	Hex Flange Bolt M10×20×1.25	2
6	04612080026	Hex Flange Locking Nut M8	2
7	17014160100	Winch Protection Pad	1
8	10914150081	Hook	1
9	10914150090	Anchor Rope	1
10	17314150111	Front Winch Body, 3500Xlbs,Nylon Wire	1
11	01224080206	Hex Flange Bolt M8×20	10
12	01214080456	Hex Flange Bolt M8×45	6
13	16808110440	Front Bumper	1
14	16808110220	Front Bumper Mounting Sleeve	4
15	10908110010	Front Bumper Plug	6
16	16810200070	Front Bumper Decorative Cover	4
17	03345080304	Hex Socket Head Cap Screw, Fully Threaded	2

DIAGRAM CARGO BOX F21-Part 1



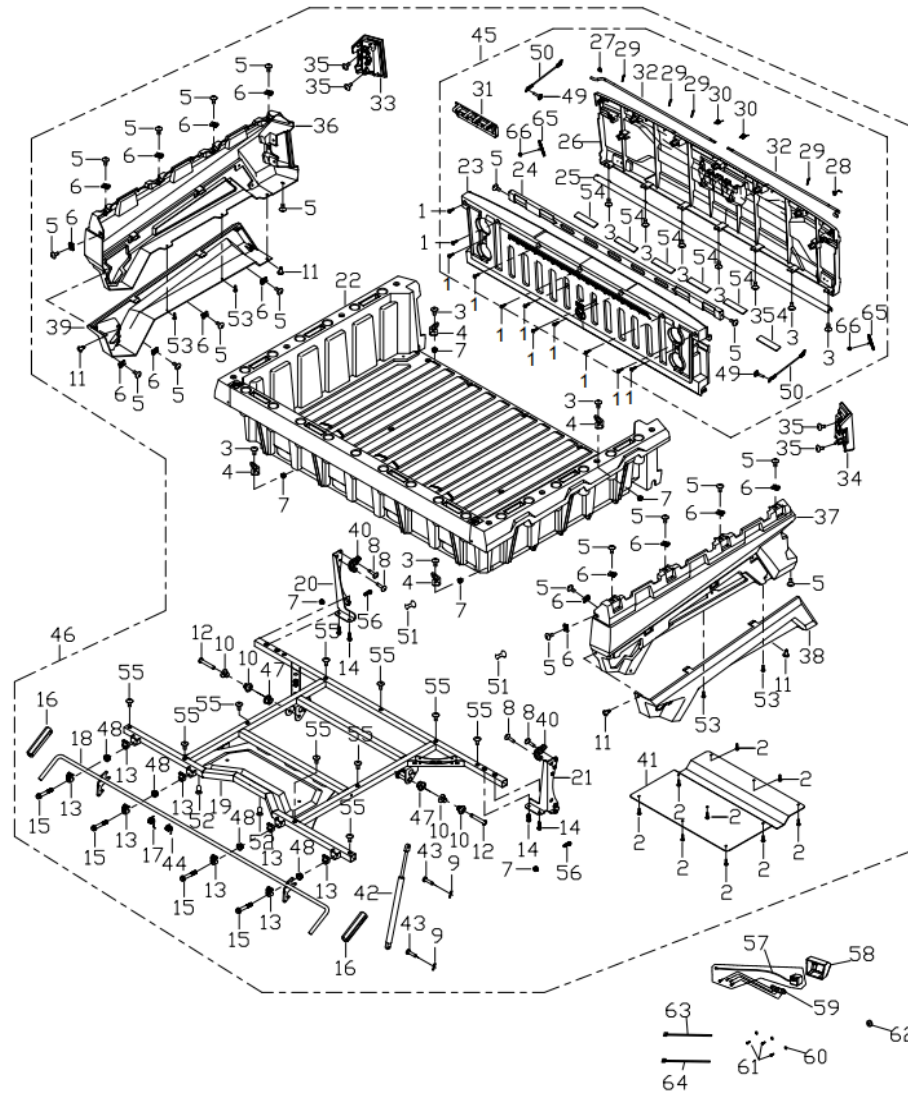
Item #	SKU#	Description	Quantity
1	03714550404	Hexagonal Head Self-Tapping Screw	11
2	03714550164	Hexagonal Head Self-Tapping Screw	9
3	03414060254	Inner Hexalobular Socket Pan Head Screws M6×25	11
4	16810150180	Cargo Hook Ring	4
5	03414060164	Inner Hexalobular Socket Pan Head Screws M6X16	27
6	04922060024	Plate Nut ,Long M6	14



7	04612060026	Hex Flange Locking Nut M6	4
8	03414060404	Inner Hexalobular Socket Pan Head Screws M6×40	4
9	16810151780	R Pin	2
10	14610470070	Rotating Shaft Nylon Sleeve	4
11	10410190000	Push Pin M8X15	4
12	01256120706	Hex Flange Bolt M12X70X1.25	2
13	16810151770	Cargo Handle Fixing Block	8
14	01224080206	Hex Flange Bolt M8×20	6
15	01214080506	Hex Flange Bolt M8×50	4
16	16110150070	Dumm Bed Handrail Rubber Sleeve	2
17	16810150450	Cargo Handle Limiting Spring ,RH	1
18	16810150140	Dumm Bed Handrail	1
19	16808710001	Cargo Box Frame	1
20	16810151570	Rear Tail Light Mounting Bracket ,RH	1
21	16810151560	Rear Tail Light Mounting Bracket,LH	1
22	16810150030	Rear Cargo Box Floor	1
23	16810150060	Cargo Box Rear Door Floor	1
24	16810151750	Cargo Box Rear Door Panel Reinforcement Plate	1
25	16810151340	Cargo Box Rear Panel Pivot Shaft	1
26	16810150301	Cargo Box Rear Door Panel	1
27	16810151370	Cargo Box Door Switch Limiting Spring,RH	1
28	16810151360	Cargo Box Door Switch Limiting Spring ,LH	1
29	16810151780	R Pin	4
30	16810150050	Cargo Box Door Switch Torsion Spring	2

DIAGRAM CARGO BOX F21-Part 2

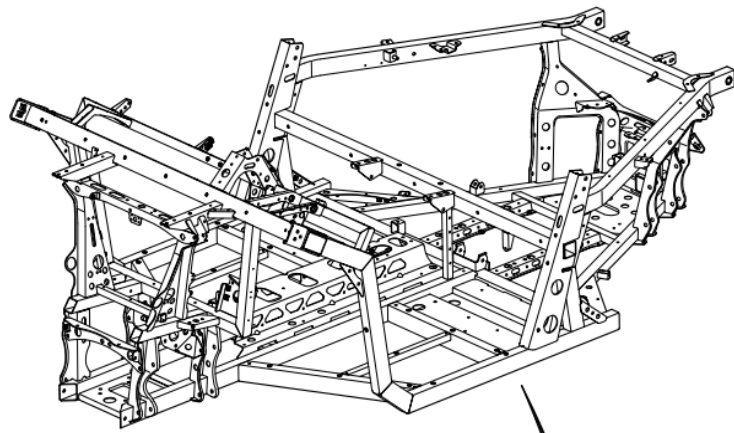
Item #	SKU#	Description	Quantity
--------	------	-------------	----------



31	16810150800	Cargo Box Rear Door Lock Handle	1
32	16810151320	Cargo Box Rear Panel Hinge Lock Hook	2
33	16809070021	Rear Tail Light,RH	1
34	16809070011	Rear Tail Light Left	1
35	01224050125	Hex Flange Bolt M5X12	4
36	16810151300	Cargo Box Guard Plate ,RH,Titanium Gray	1
36	16810150830	Cargo Box Guard Plate ,RH,True Timber	1
36	16810150950	Cargo Box Side Guard, RH - Military Green	1
37	16810151290	Cargo Box Guard Plate ,LH,Titanium Gray	1
37	16810150820	Cargo Box Guard Plate,LH,Red With Flake	1
37	16810150940	Cargo Box Side Guard, LH - Military Green	1
38	16810100000	Rear Wheel Arch ,LH	1
39	16810110000	Rear Fender,RH	1
40	16810151760	Cargo Box Door Lock Latch	2
41	16810150380	Cargo Box Heat Plate	1
42	16810150100	Dump Bed Air Springs	1
43	10908410020	Dumo Bed Lower Fixation Pin	2
44	16810150440	Cargo Handle Limiting Spring ,LH	2
45	Y6810150010	Cargo Box Rear Door Floor	1
46	16810150000	Dump Bed	1
47	04622120026	Hex Flange Locking Nut M12X1.25	2
48	04612080026	Hex Flange Locking Nut M8	4
49	03464060304	Hexagon Socket Countersunk Step Bolt	4
50	16810150150	Dump Bed Wire Rope	2
51	16810151330	Cargo Box Door Panel Buffer Rubber Pad	2
52	04512080127	Hexagonal Riveting Nut M8	2

53	03734550204	Hexalobular Socket Pan Head Tapping Screws	4
54	10409090020	Rubber Cusion, Battery,30X60X6	6
55	03414060204	Inner Hexalobular Socket Pan Head Screws M6×20	3
56	01254060166	Hex Flange Bolt M6×16	2
57	16814240021	Rear Camera	1
58	16814240150	Rear Camera Cover	1
59	16814240141	Camera Mounting Bracket	1
60	06119041205	Flat Washer	3
61	03714350125	Self-Tapping Screws - ST3.5	3
62	13610202260	Round Rubber Pad	1
63	90103040057	Metal Cable Tie	3
64	90103040030	Nylon Cable Tie, 8×250	3
65	13609180080	Reflector (Rectangular, Red)	2
66	04112050025	Hex Flange Locking Nut M5	2

DIAGRAM ELECTRICAL COMPONENTS F22-Part 1



Item #	SKU#	Description	Quantity
1	16709410001	Engine Wire Harness	1
2	03414060204	Inner Hexalobular Socket Pan Head Screws M6×20	3
3	16709010480	BIGHORN Full Vehicle Wiring Harness (two door)	1
4	21170105002	ECU Module (MT05.3)	1
5	10909090000	Battery	1
6	10914150010	Winch Controller Box Cap	1
7	16714150342	Winch Relay And Wire Assy	1
8	17009350000	Starter Relay	1
9	16802180010	Fan Controller Installation Rubber Sleeve	1
10	10114090430	Cargo Box Bottom Rubber	1

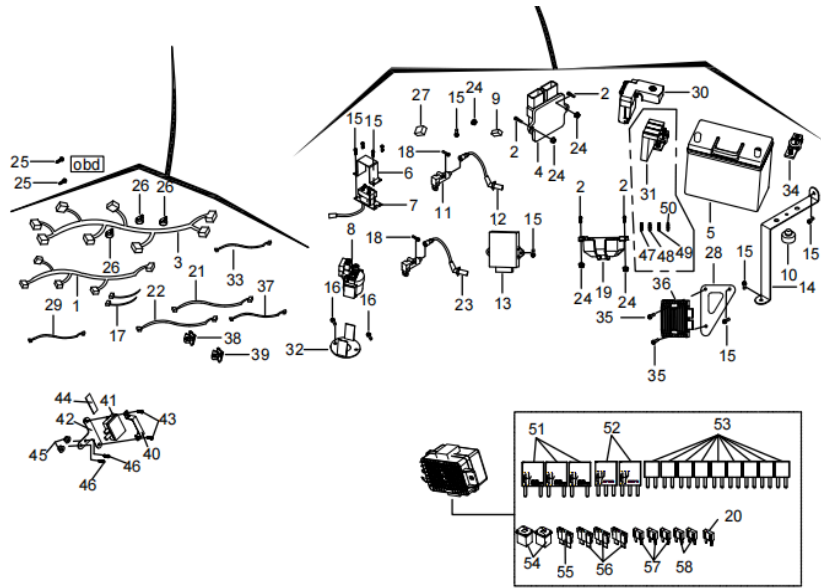
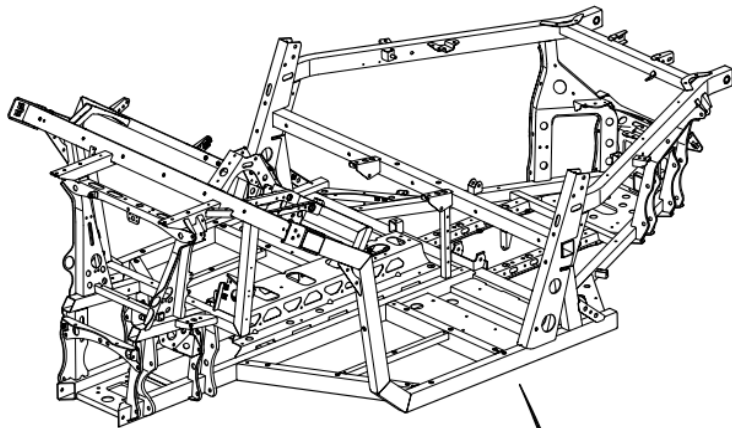


DIAGRAM ELECTRICAL COMPONENTS F22-Part 2



11	21040400201	Ignition Coil	2
12	21190100701	Cylinder 1 High-Pressure Wire L=240mm	2
13	16809360120	Integrated Controller	1
14	16809090200	Battery Fixing Plate	1
15	01254060166	Hex Flange Bolt M6x16	12
16	03414060164	Inner Hexalobular Socket Pan Head Screws M6X16	6
17	90103040057	Metal Plate Zip Ties	11
18	01224060404	Hex Flange Bolt M6X40	2
19	16809010320	Fuse Box Cover	1
20	17009010500	Fuse-30A	1
21	16809010110	Negative Iron Wire	1
22	16809010110	Negative Iron Wire	1
23	21170102402	Spark Plug Cable L=150mm	1
24	04612060026	Hex Flange Locking Nut M6	5

Item #	SKU#	Description	Quantity
25	03714420125	Tapping Screws St4.2X12	2
26	14712050430	Clip φ33	1
27	21140403501	Two-Speed Fan Controller	1
28	16811060120	Regulator Mounting Plate	1
29	17009010180	Starter Relay Connector Wire	1
30	16809020150	Fuse Holder Outer Shell	1
31	16809020140	Positive Fuse Holder	1
32	17009010310	Starter Relay Bracket	1
33	16809010130	Starter Wire Harness	1
34	16809090220	Battery Negative Fixed Clip	1

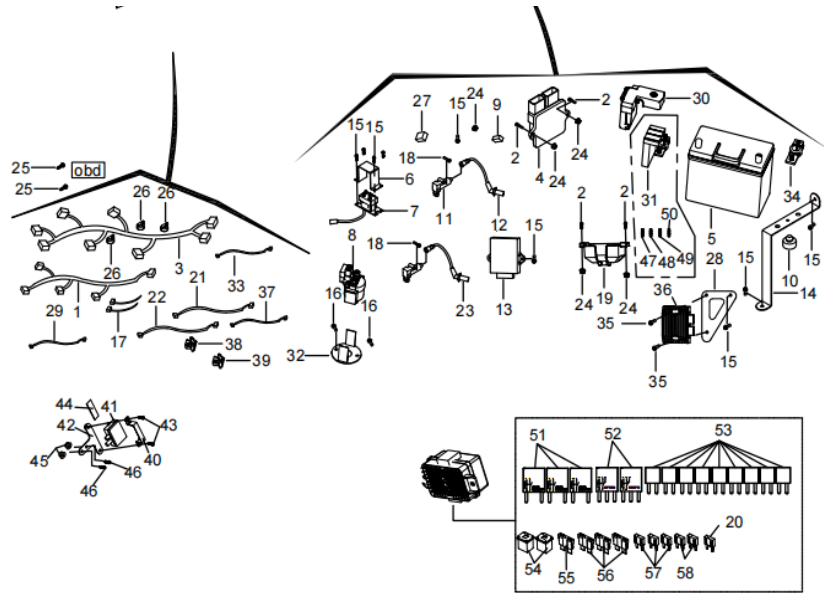
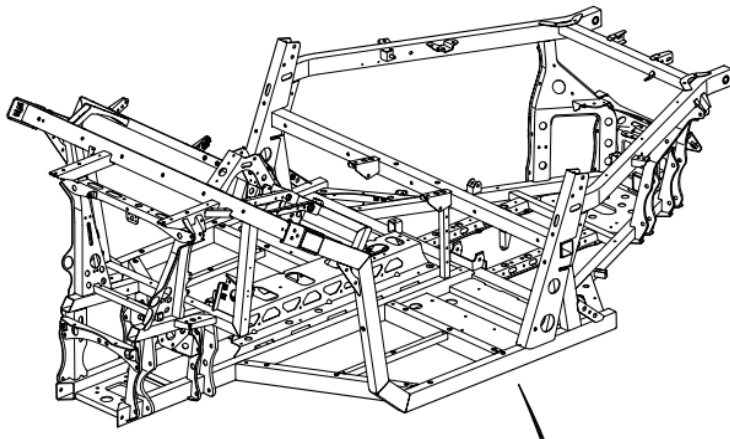
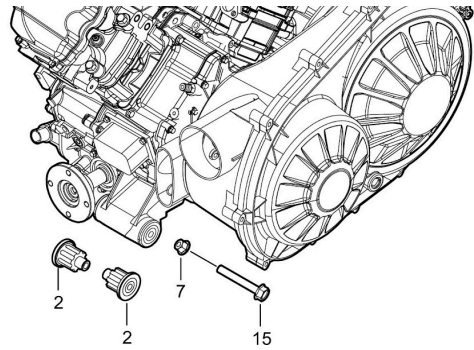


DIAGRAM ELECTRICAL COMPONENTS F22-Part 3



35	01224060351	Hex Flange Bolt 6x35	2
36	21140403401	Voltage Regulator ,High Power	1
37	16809210020	Regulator Wiring	1
38	16809470040	Engine line interface buckle	1
39	16809470050	Rear tail light cable interface buckle	1
40	16814150230	Mounting plate	1
41	17314150310	Wireless Control receiver & Control Handle	1
42	10114150230	Wireless Control Bracket	1
43	01224060165	Hexagon Flange Bolts	3
44	10114150240	Wireless Control Shock Pad	1
45	04612060026	Hex Flange Locking Nut M6	2
46	01254060206	Hex Flange Bolt M6x20	1
47	16809010360	Slow Melting Fuse-175A	1
48	16809010350	Slow Melting Fuse-150A	1

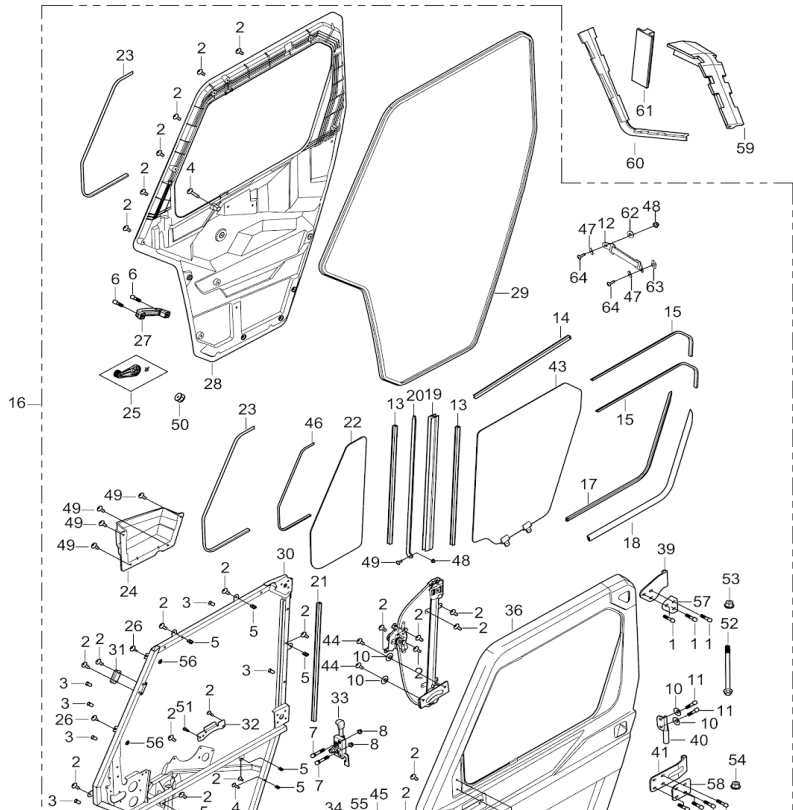
Item #	SKU#	Description	Quantity
49	16809010340	Slow Melting Fuse-100A	1
50	16809010330	Slow Melting Fuse-50A	1
51	16809010410	Relay (4-Claw)-30A	3
52	16809010420	Relay (5-Claw)-30A	2
53	16809010400	Relay (4-Small Claw)-20A	9
54	16809010530	Slow Melting Fuse-40A	2
55	10909010040	Fuse-15A	1
56	10909010070	Fuse-20A	3
57	004-EL-3700-2114-03	Fuse-10A	3
58	004-EL-3700-2114-04	Fuse-15A	2



12	01224080206	Hex Flange Bolt M8×20	6
13	04612080026	Hex Flange Locking Nut M8	6
14	01254060166	Hex Flange Bolt M6×16	4
15	01256101306	Hex Flange Bolt 10x130x1.25	1
16	21040402401	Wire holder	1
17	06219092205	Washer φ8.5×φ22×2	2
18	01256100506	Hex Flange Bolt M10X50X1.25	1

DIAGRAM FRONT DOOR DRIVER SIDE (TWO DOOR) F24-Part 1

Item #	SKU#	Description	Quantity
1	01224080254	Hexagonal Flange Bolts	10
2	03414060164	Inner Hexalobular Socket Pan Head Screws M6X16	25
3	04512060127	Rivet Nut M6	12
4	03414060354	Inner Hexalobular Socket Pan Head Screws M6×35	5
5	04922060024	Plate Nut ,Long M6	15
6	03344080255	Hexagon Socket Cap Screws M8×25	2
7	03324080405	Sunk Head Screw M8x40	2
8	04612080026	Hex Flange Locking Nut M8	2
9	06119093005	Washer φ20×φ8.5×3	2
10	06119092005	Washer φ8.5×φ20×2	2
11	01214080204	Hex Flange Bolt M8X20	4
12	19310340300	Door handle	1
13	16510340940	Window Mud Track,L=690mm	2
14	16810342230	Door Glass Upper Buffer Strip L=487mm	1
15	16810342370	Door Window Glass Seal 1 ,Front Window Regulator L=675mm	1
16	Z6810DFLH00	Front Door Complete Set (Left)	1
17	16710342340	LH Front Door Glass Weatherstrip 2	1



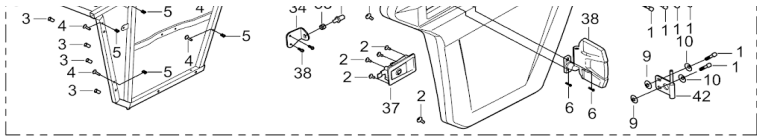
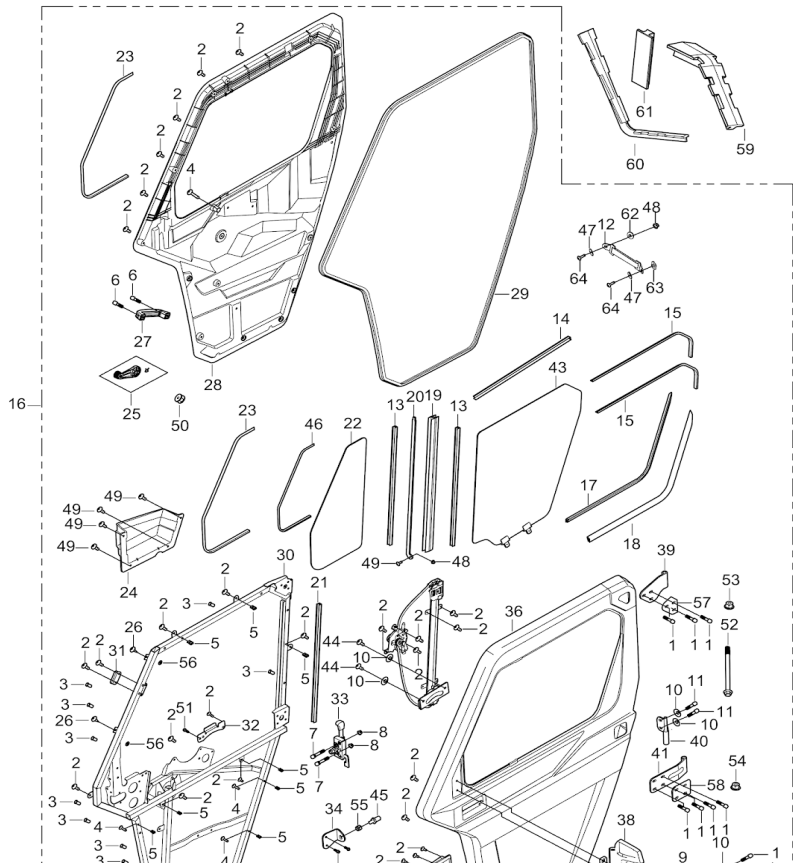


DIAGRAM FRONT DOOR DRIVER SIDE (TWO DOOR) F24-Part 2



Item #	SKU#	Description	Quantity
18	16710342350	Door Glass Weatherstrip 2,RH	1
19	16810340920	Glass Guide Rail	1
20	16810342190	Glass Upper Fixing Plate	1
21	16510340940	Window Mud Track,L=690mm	1
22	16710340330	Front Secondary Window Glass	1
23	16810342360	Door Window Glass Seal 1 ,Rear Window Regulator L=895mm	2
24	16810341100	Door Storage Box,LH	1
25	16810342250	Door Glass Regulator Handle	1
26	03714420165	Tapping Screws St4.2×16	2
27	16614100050	Handle	1
28	16710341080	Front Inner Door,LH	1
29	16810342461	Door Seal Strip ,LH	1
30	16810340500	Front Inner Door Frame ,LH	1
31	16810342140	Secondary Window Glass Upper Fixing Plate	1
32	16810342150	LH Secondary Window Glass Lower Fixing Plate	1
33	16810342100	LH Front Door Lock	1
34	16810340511	Front Impact Mounting Plate ,LH	1
35	16710340570	LH Front Glass Regulator	1
36	16710341060	Front Outer Door,LH	1
37	16810342200	Door Handles With Keys,LH	1
38	16805140000	Rear View Mirror,LH	1
39	16810342010	LH Upper Front Door Static Hinge	1
40	16810342070	Rear Door Static Hinge ,Rear Upper Left	1
41	16810342030	Door Lower Dynamic Hinge	1

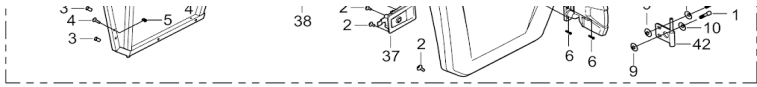
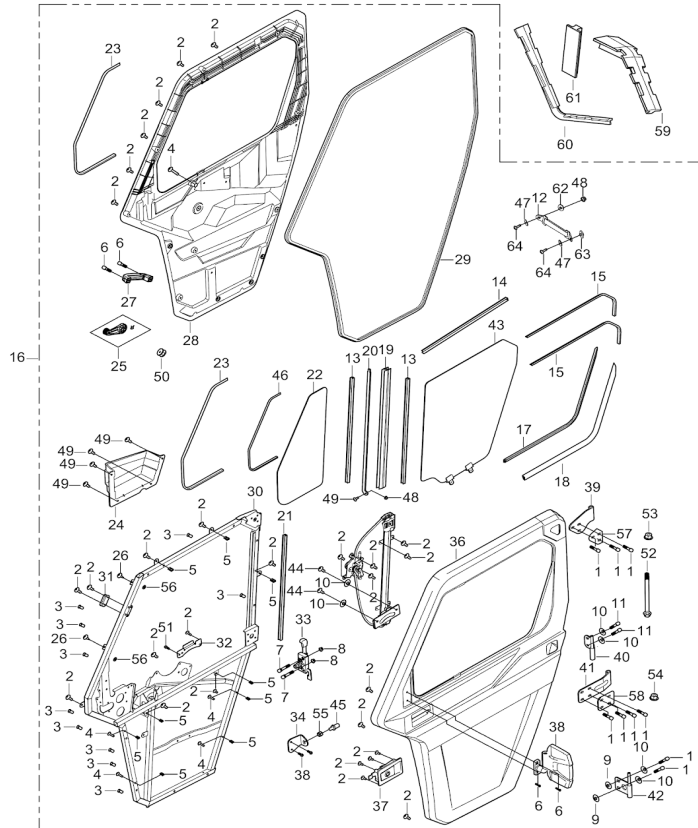
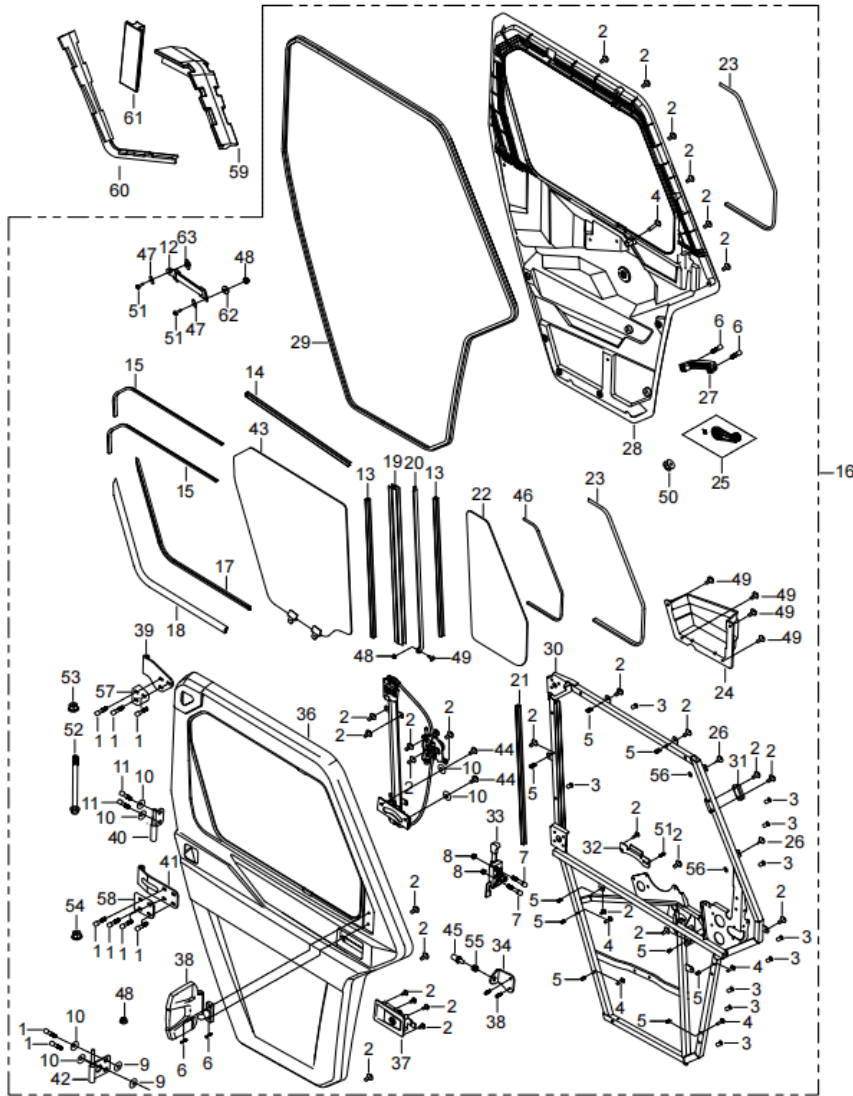


DIAGRAM FRONT DOOR DRIVER SIDE (TWO DOOR) F24-Part 3



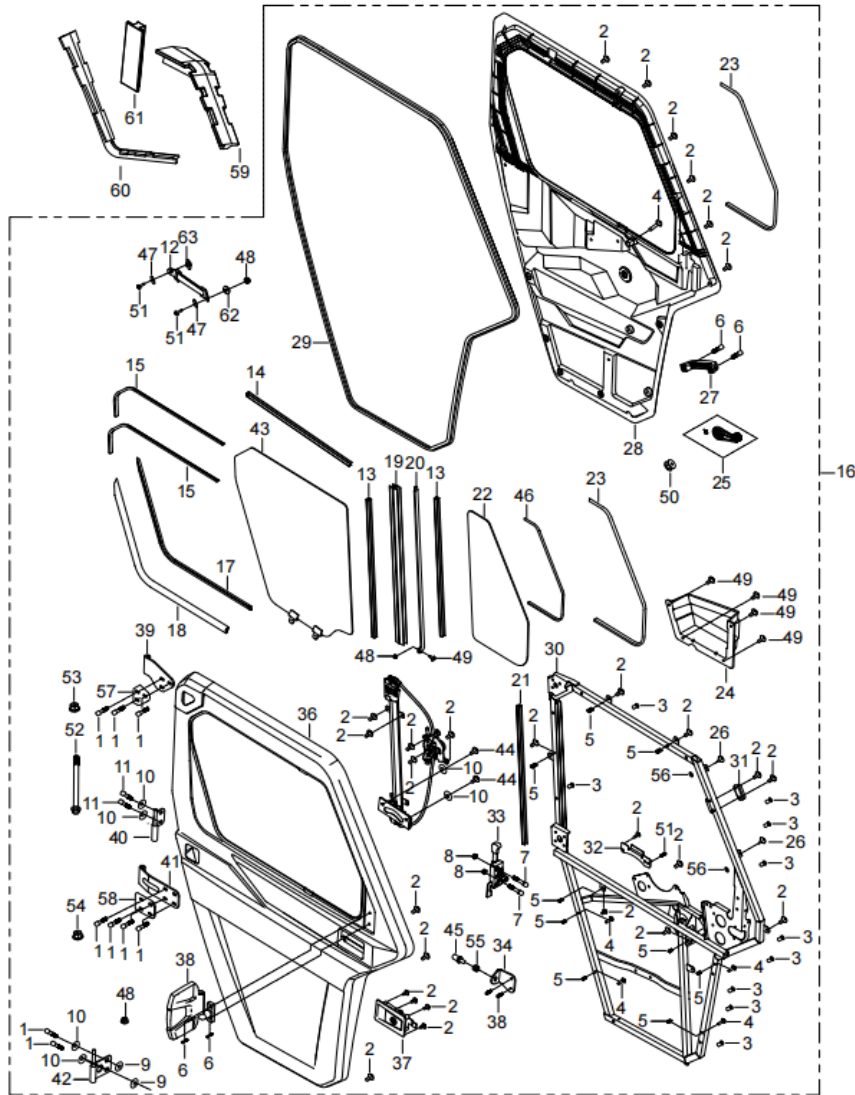
Item #	SKU#	Description	Quantity
42	16810342110	LH Lower Rear Door Static Hinge	1
43	16710340310	Front Door Power Window Glass	1
44	03414060124	Inner Hexagonalobular Socket Pan Head Screw M6×12 ,Black	3
45	16810340490	Door Striker	1
46	16810342220	Glass Rubber Strip L=894	1
47	19310340220	Door handle outer bushing	2
48	04612060026	Hex Flange Locking Nut M6	2
49	03414060204	Inner Hexalobular Socket Pan Head Screws M6×20	3
50	16810342310	Door Glass Regulator Rubber Sleeve	1
51	03414060304	Inner Hexalobular Socket Pan Head Screws M6×30	1
52	01214101554	Hex Flange Bolt M10×155×1.25	1
53	04612100024	Hex Flange Locking Nut M10×1.25	1
54	04612100024	Hex Flange Locking Nut M10×1.25	1
55	04212120021	Hexagon Flange Nut M12×1.75	1
56	06119051805	Washer φ5×φ18×1.5	2
57	16810342410	Hinge Flat Washer,Upper	1
58	16810342420	Hinge Flat Washer,Lower	1
59	168-9202-000	Front Door Installation Tooling (Upper)	
60	168-9203-000	Universal Front/Rear Door Installation Tooling (Lower)	
61	168-9204-000	Universal Front/Rear Door Installation Tooling (Upper)	
62	19310340200	Door handle inner liner (half door)	1
63	19310340210	Door handle inner liner (for all doors)	1
64	03414060254	Inner Hexalobular Socket Pan Head Screws M6×25	2
62			

DIAGRAM FRONT DOOR PASSENGER SIDE (TWO DOOR) F25-Part 1



Item #	SKU#	Description	Quantity
62			
1	01224080254	Hexagonal Flange Bolts	10
2	03414060164	Inner Hexalobular Socket Pan Head Screws M6X16	25
3	04512060127	Rivet Nut M6	12
4	03414060354	Inner Hexalobular Socket Pan Head Screws M6x35	5
5	04922060024	Plate Nut ,Long M6	15
6	03344080255	Hexagon Socket Cap Screws M8x25	2
7	03324080405	Sunk Head Screw M8x40	2
8	04612080026	Hex Flange Locking Nut M8	2
9	06119093005	Washer φ20×φ8.5×3	2
10	06119092005	Washer φ8.5×φ20×2	2
11	01214080204	Hex Flange Bolt M8X20	4
12	19310340300	Door handle	1
13	16510340940	Window Mud Track,L=690mm	2
14	16810342230	Door Glass Upper Buffer Strip L=487mm	1
15	16810342370	Door Window Glass Seal 1 ,Front Window Regulator L=675mm	1
16	Z6810DFRH00	Front Door Complete Set (Right)	1
17	16710342340	LH Front Door Glass Weatherstrip 2	1
18	16710342350	Door Glass Weatherstrip 2,RH	1
19	16810340920	Glass Guide Rail	1
20	16810342190	Glass Upper Fixing Plate	1
21	16510340940	Window Mud Track,L=690mm	1
22	16710340330	Front Secondary Window Glass	1
23	16810342360	Door Window Glass Seal 1 ,Rear Window Regulator L=895mm	2

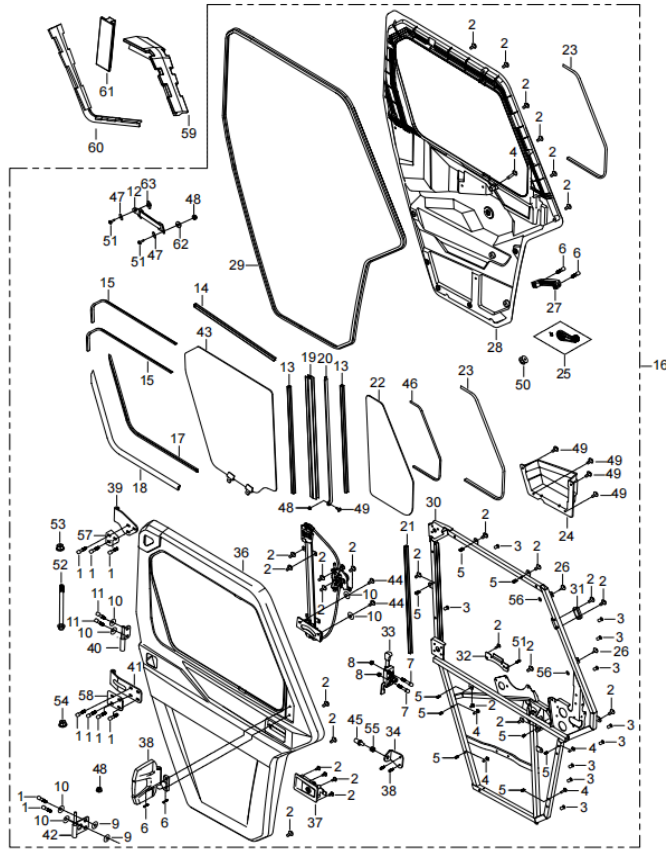
DIAGRAM FRONT DOOR PASSENGER SIDE (TWO DOOR) F25-Part 2



Item #	SKU#	Description	Quantity
24	16810341110	Door Storage Box,RH	1
25	16810342250	Door Glass Regulator Handle	1
26	03714420165	Tapping Screws St4.2x16	2
27	16614100050	Handle	1
28	16710341090	Front Inner Door,RH	1
29	16810342471	Door Seal Strip ,RH	1
30	16810340600	Front Inner Door Frame ,RH	1
31	16810342140	Secondary Window Glass Upper Fixing Plate	1
32	16810342160	Secondary Window Glass Lower Fixing Plate ,RH	1
33	16810343100	RH Front Door Lock	1
34	16810340521	Front Impact Mounting Plate,RH	1
35	16710340580	Front Door Glass Regulator,RH	1
36	16710341070	Front Outer Door,RH	1
37	16810342200	Door Handles With Keys,LH	1
38	16805150000	RH Rear View Mirror	1
39	16810342020	RH Upper Front Door Upper Dynamic Hinge	1
40	16810342070	Rear Door Static Hinge ,Rear Upper Left	1
41	16810342030	Door Lower Dynamic Hinge	1
60	16810342120	RH Lower Rear Door Static Hinge	1
43	16710340320	Front Door Window Regulator,RH	1
44	03414060124	Inner Hexagonalobular Socket Pan Head Screw M6x12 ,Black	3
45	16810340490	Door Striker	1
46	16810342220	Glass Rubber Strip L=894	1

DIAGRAM FRONT DOOR PASSENGER SIDE (TWO DOOR) F25-Part 3

Item #	SKU#	Description	Quantity
--------	------	-------------	----------



47	19310340220	Door handle outer bushing	2
48	04612060026	Hex Flange Locking Nut M6	2
49	03414060204	Inner Hexalobular Socket Pan Head Screws M6×20	3
50	16810342310	Door Glass Regulator Rubber Sleeve	1
51	03414060304	Inner Hexalobular Socket Pan Head Screws M6×30	1
52	01214101554	Hex Flange Bolt M10×155×1.25	1
53	04612100024	Hex Flange Locking Nut M10×1.25	1
54	04612100024	Hex Flange Locking Nut M10×1.25	1
55	04212120021	Hexagon Flange Nut M12×1.75	1
56	06119051805	Washer φ5×φ18×1.5	2
57	16810342410	Hinge Flat Washer,Upper	1
58	16810342420	Hinge Flat Washer,Lower	1
59	168-9202-000	Front Door Installation Tooling (Upper)	
60	168-9203-000	Universal Front/Rear Door Installation Tooling (Lower)	
61	168-9204-000	Universal Front/Rear Door Installation Tooling (Upper)	
62	19310340200	Door handle inner liner (half door)	1
63	19310340210	Door handle inner liner (for all doors)	1
64	03414060254	Inner Hexalobular Socket Pan Head Screws M6×25	2

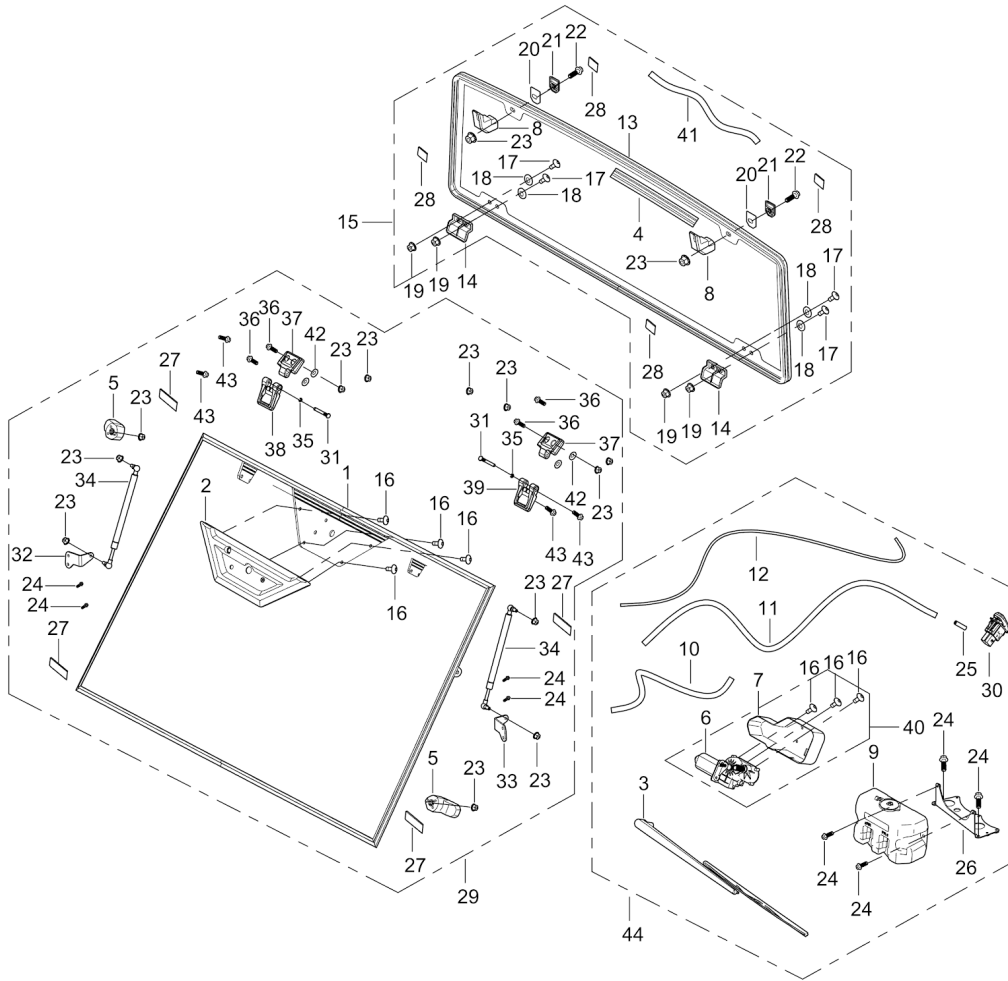
DIAGRAM 2026 AODES OWNER MANUAL F26

Item #	SKU#	Description	Quantity
1	16813041510	Bighorn DEenali 650/650HV-True Timner	1
1	16813041520	Bighorn DEenali 650/650HV-Titanium Gray	1
1	16813041530	Bighorn DEenali 650/650HV-Military Green	1
2	16814050380	Workcross Owner Manual	1
3	16713021210	VIN Nameplate	1
4	16814180010	Tool Kit	1



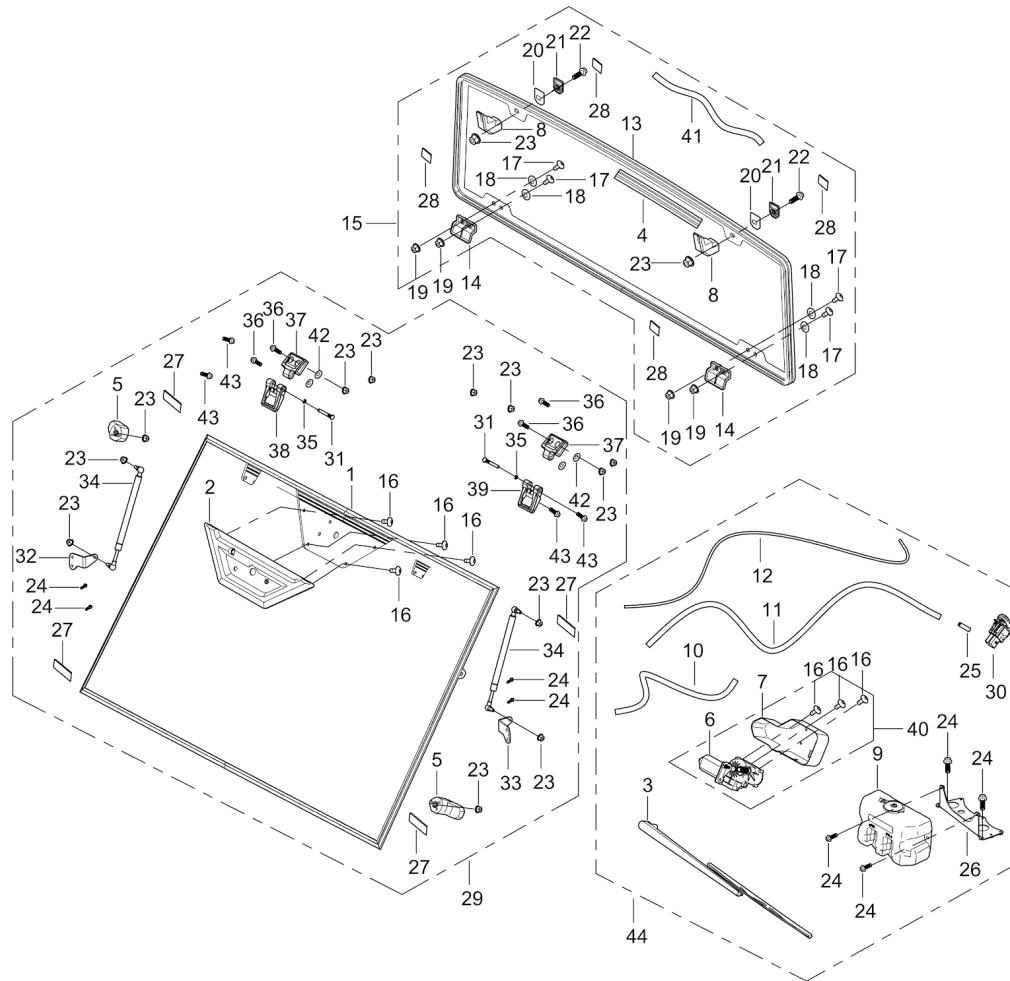


DIAGRAM 2026 AODES FRONT AND REAR WINDOW(OPTIONAL) F27 Part 1



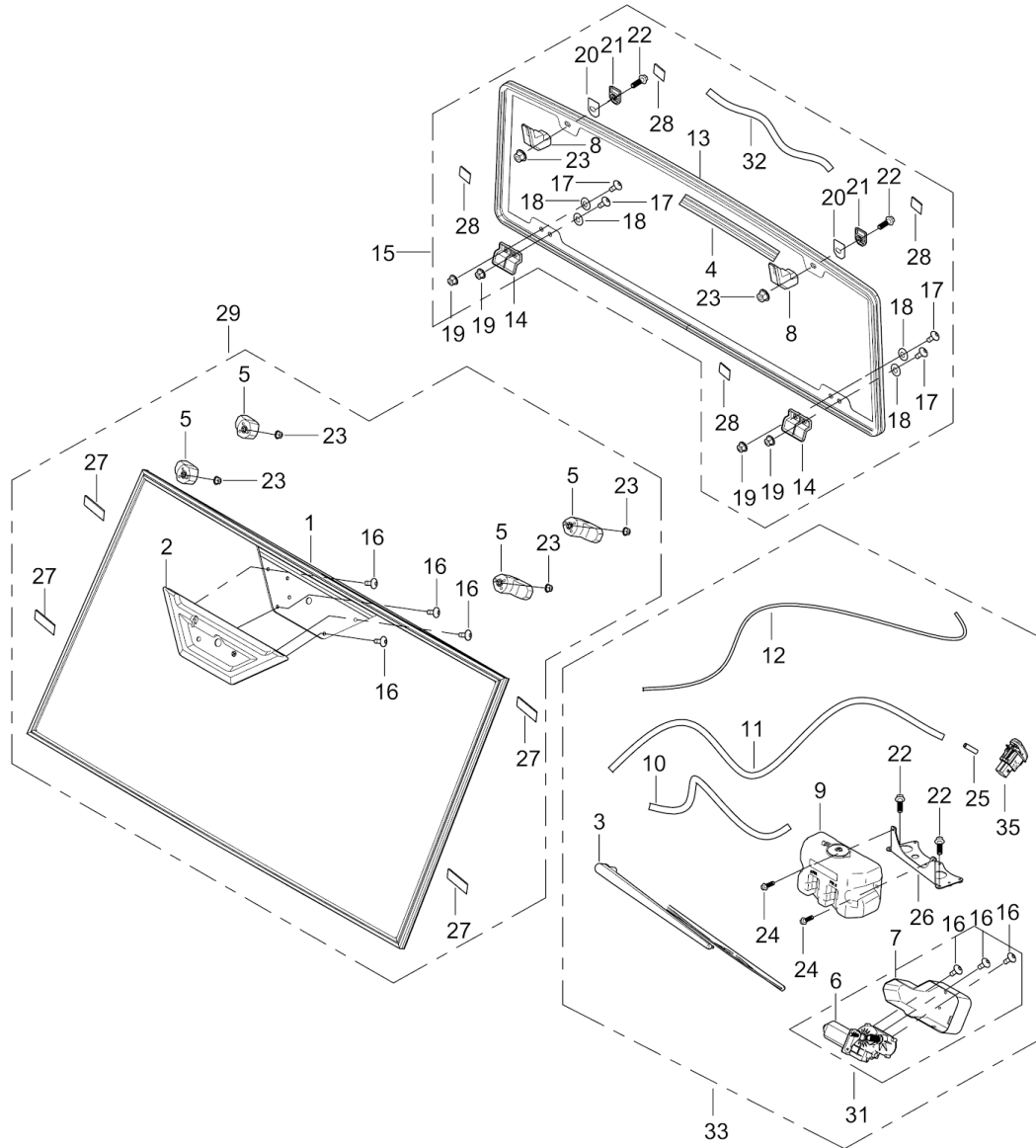
Item #	SKU#	Description	Quantity
5	10113020271	EPA Non-Road Nameplate	1
6	16814050050	Aodes Document Bag	1
7	10113020700	EPA ATV Identification Nameplate	1
8	17313021420	EPA Emission Nameplate ,Lil Pick Up	1
1	16814120081	Front Windshield,Glass With Metal Frame (Whit Gas spring)	1
2	16814110190	Fixed Mount, Wiper Motor	1
3	16814140000	Wiper Arm	1
4	16814120010	Windshield Weatherstrip	1
5	16814110090	Front Windshield Installation Clip	2
6	16614140601	Wiper Motor, New Style	1
7	16614110851	Motor Cover	1
8	16814110500	Rear Windshield Installation Clip	2
9	16614110701	Glass Water Jug	1
10	16614110830	Glass Water Pipe,Short	1
11	16614110840	Glass Water Pipe,Long	1
12	16814140610	Windshield Wiper Motor Connector Wire	1
13	16814110400	Rear Windshield	1
14	16814110540	Rear Windshield Lower Installation Clip	2
15	Z6814WR8000	Rear Windshield Assembly ,Optional	1
16	03414060124	Inner Hexagonalobular Socket Pan Head Screw M6×12 ,Black	7
17	03414060254	Inner Hexalobular Socket Pan Head Screws M6×25	4
18	10914110060	Hinge Gasket, Windshield	4
19	04612060025	Hexagon Flange Locking Nut M6	4
20	16814110530	Rear Windshield Upper Mounting Plate Spacer	2
21	16814110520	Rear Windshield Upper Mounting Plate	2

DIAGRAM 2026 AODES FRONT AND REAR WINDOW(OPTIONAL) F27 Part 2



Item #	SKU#	Description	Quantity
22	01214080305	Hex Flange Bolt M8x30	2
23	04612080026	Hex Flange Locking Nut M8	12
24	01254060166	Hex Flange Bolt M6x16	8
25	16614110820	Connector, Glass Water Pipe	1
26	16808120220	Winch Relay Mounting Board	1
27	16814120040	Front Windshield Seal	4
28	16814120050	Rear Windshield Seal	4
29	Z6814WF3000	Front Windshield Assembly,Optional,Without Winshield Wiper	1
29	Z6814WF4000	Front windshield assembly (push-pull type) with windshield wipers	1
46	16809190400	Wiper Motor Switch	1
31	16614110270	Hinge Shaft	2
32	16814110360	Front Windshield Gas Spring Mounting Plate,RH	1
33	16814110350	LH Front Windshield Gas Spring Mounting Plate	1
34	16814110301	Front Windshield Gas Spring	2
35	07031060004	E Type Snap Ring	2
36	01224080206	Hex Flange Bolt M8x20	4
37	16814110320	Front Windshield Hinge	2
38	16814110340	Front Windshield Static Hinge,RH	1
39	16814110330	LH Front Windshield Static Hinge	1
40	16614140030	Motor	1
41	16814110420	Rear Windshield Installation Weatherstrip ,L=1260Mm	2
42	06219092205	Washer φ8.5×φ22×2	8
43	01214070145	Hex Flange Bolt M8x14	4
44	Z6614140600	Windshield Wiper Assembly	1
45	03414060164	Inner Hexalobular Socket Pan Head Screws M6X16	2

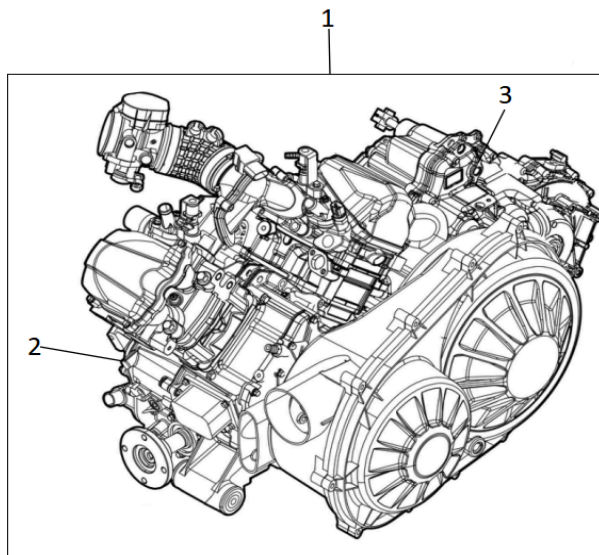
DIAGRAM FRONT AND REAR WINDOW F28



Item #	SKU#	Description	Quantity
46	16809190400	Wiper Motor Switch	1
1	16814120071	Front Windshield,Glass With Metal Frame (Whitout Gas spring)	1
2	16814110190	Fixed Mount, Wiper Motor	1
3	16814140000	Wiper Arm	1
4	16814120010	Windshield Weatherstrip	1
5	16814110090	Front Windshield Installation Clip	4
6	16614140601	Wiper Motor, New Style	1
7	16614110851	Motor Cover	1
8	16814110500	Rear Windshield Installation Clip	2
9	16614110701	Glass Water Jug	1
10	16614110830	Glass Water Pipe,Short	1
11	16614110840	Glass Water Pipe,Long	1
12	16814140610	Windshield Wiper Motor Connector Wire	1
13	16814110400	Rear Windshield	1
14	16814110540	Rear Windshield Lower Installation Clip	2
15	Z6814WR8000	Rear Windshield Assembly ,Optional	1
16	03414060124	Inner Hexagonalobular Socket Pan Head Screw M6×12 .Black	7
17	03414060254	Inner Hexalobular Socket Pan Head Screws M6×25	4
18	10914110060	Hinge Gasket, Windshield	4
19	04612060025	Hexagon Flange Locking Nut M6	4
20	16814110530	Rear Windshield Upper Mounting Plate Spacer	2
21	16814110520	Rear Windshield Upper Mounting Plate	2
22	01214080305	Hex Flange Bolt M8×30	4
23	04612080024	Hex Flange Locking Nut M8	6
24	01254060166	Hex Flange Bolt M6×16	2

25	16614110820	Connector, Glass Water Pipe	1
26	16808120220	Winch Relay Mounting Board	1
27	16814120040	Front Windshield Seal	4
28	16814120050	Rear Windshield Seal	4
29	Z6814WF2000	Front windshield assembly (standard configuration), with windshield	1
30	16809190400	Wiper Motor Switch	1
31	16614140030	Motor	1
32	16814110420	Rear Windshield Installation Weatherstrip ,L=1260Mm	2
33	Z6614140600	Windshield Wiper Assembly	1

DIAGRAM ENGINE F29

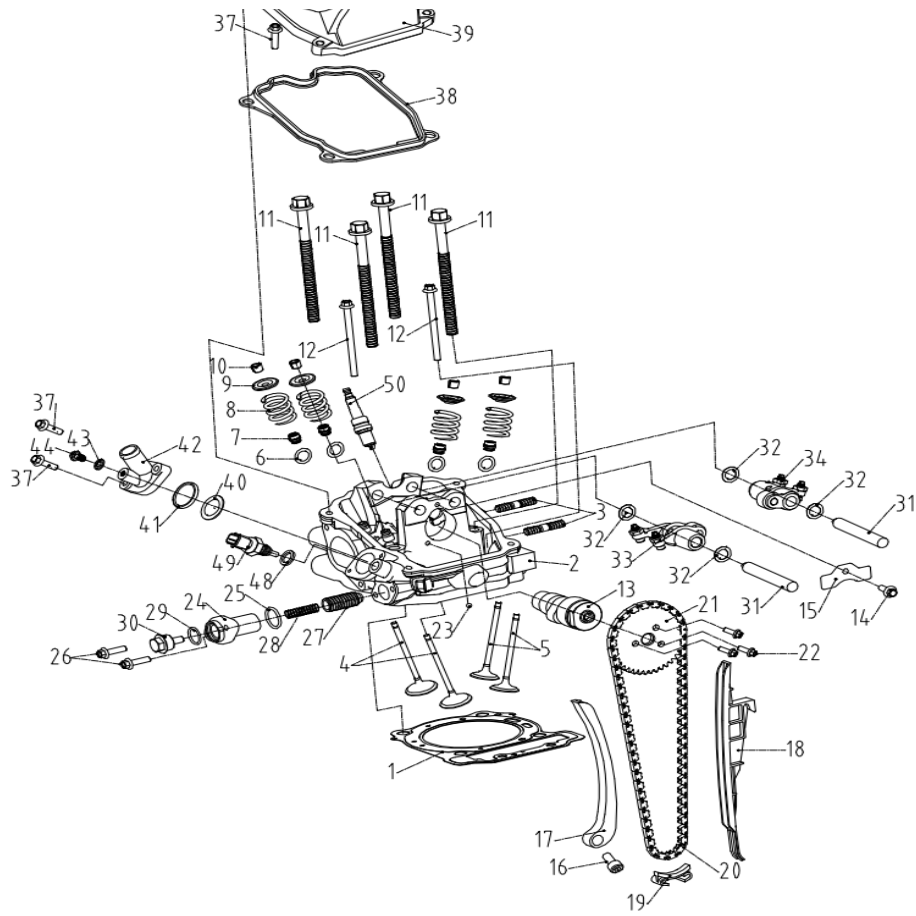


Item #	SKU#	Description	Quantity
1	40650408201	Engine Assembly	1
2	21170100001	Crankcase Assembly	1
3	21140200000	Transmission Assembly	1

DIAGRAM FIRST CYLINDER HEAD ASSY E01



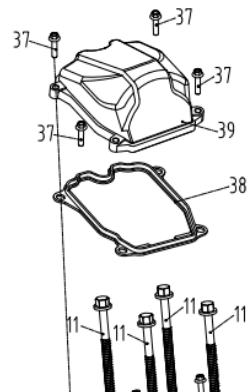
Item #	SKU#	Description	Quantity
1	21170100702	Cylinder head gasket	1
2	22040100201	Cylinder, Front	1
3	21040100501	Stud 8×45	2



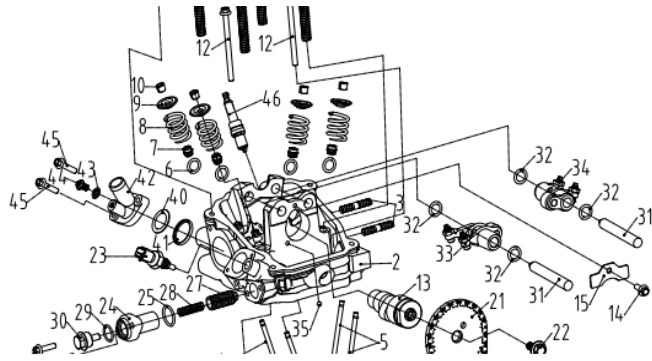
4	21040100601	Inlet valve, 31	2
5	21040100701	Exhaust valve 27	2
6	21040100802	Thrust washer	4
7	21040100901	Valve stem seal	4
8	21040101001	Valve spring	4
9	21040101102	Valve spring retainer	4
10	21040101202	Cotter valve	8
11	21040101301	Screw 10×140	4
12	01214060851	Hex Flange Bolt 6x85	2
13	21040101401	Camshaft	1
14	01224060161	Hex Flange Bolt 6x16	1
15	21040101601	Holding guard	1
16	21040101701	Bearing screw 6	1
17	21040101801	Chain tensioner guide	1
18	21040101902	Chain guide	1
19	21040102001	Chain guide	1
20	21040102101	Silent chain 6.35P×112	1
21	21040102201	Camshaft sprocket, 42 teeth	1
22	21040102301	Flanged torx screw 8×20	1
23	21040100401	Steel ball SФ5.159	1
24	21040102401	Chain tensioner housing	1
25	21040102501	O-ring 21x2.5	1
26	01224060221	Hex Flange Bolt 6x22	2
27	21040102601	Chain tensioner plunger	1
28	21040102901	Spring	1
29	21040102701	O-ring 17×2	1

30	21040102801	Plug screw	1
31	21040103101	Pin #12, small	2
32	21040103201	Washer $\phi 18.6 \times \phi 12.4 \times 0.5$	4
33	21040103301	Rocker arm inlet	1
34	21040103401	Rocker arm exhaust	1
37	01224060251	Hex Flange Bolt 6x25	6
38	21040103801	Valve cover gasket	1
39	21040103901	Valve cover	1
40	21040104101	Spacer assembly $\phi 30 \times \phi 20.5 \times 1$	1
41	21040104201	Thermostat gasket	1
42	21040104301	Thermostat cover	1
43	21040117001	Gasket ring 6	1
44	21040104401	Screw 6x12	1
48	21040104701	Copper washer $\phi 18 \times \phi 12.4 \times 2$	1
49	21040104801	Plug screw 12x15	1
50	21040105101	Spark plug, DCPR7E	1
51	21040104361	Housing cap	1

DIAGRAM SECOND CYLINDER HEAD ASSY E02



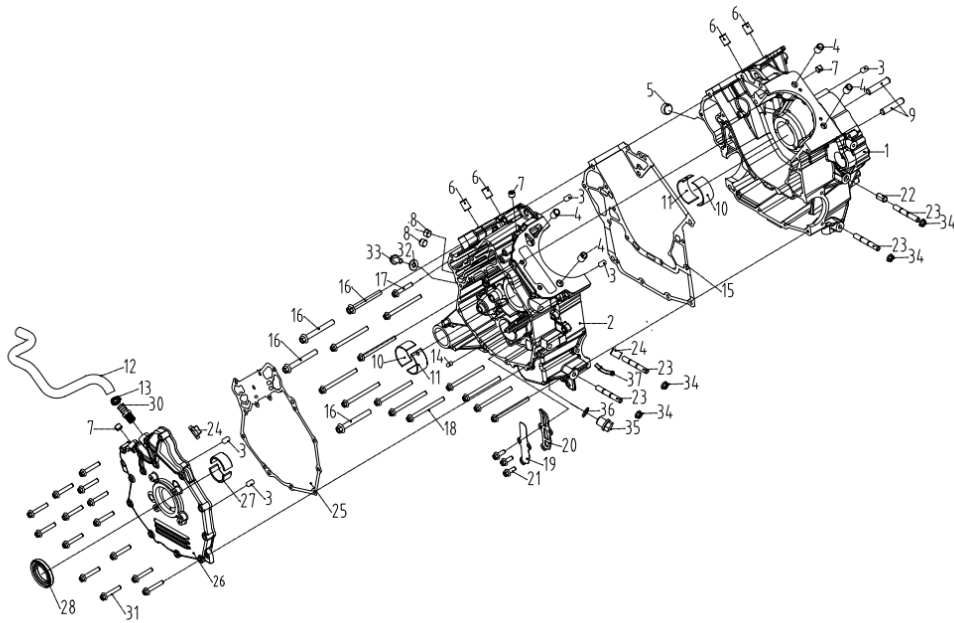
Item #	SKU#	Description	Quantity
1	21170100702	Cylinder head gasket	1
2	22040100301	Cylinder, Rear	1
3	21040100501	Stud 8x45	2
4	21040100601	Inlet valve, 31	2
5	21040100701	Exhaust valve 27	2
6	21040100802	Thrust washer	4
7	21040100901	Valve stem seal	4
8	21040101001	Valve spring	4



9	21040101102	Valve spring retainer	4
10	21040101202	Cotter valve	8
11	21040101301	Screw 10x140	4
12	01214060851	Hex Flange Bolt 6x85	2
13	21040101501	Camshaft	1
14	01224060161	Hex Flange Bolt 6x16	1
15	21040101601	Holding guard	1
16	21040101701	Bearing screw 6	1
17	21040101801	Chain tension guide	1
18	21040101902	Chain guide	1
19	21040102001	Chain guide	1
20	21040102101	Silent chain 6.35P×112	1
21	21040102201	Camshaft sprocket, 42 teeth	1
22	21040102301	Flanged torx screw 8x20	1
23	21040103002	Water temperature sensor	1
24	21040102401	Chain tensioner housing	1
25	21040102501	O-ring 21x2.5	1
26	01224060221	Hex Flange Bolt 6x22	2
27	21040102601	Chain tensioner plunger	1
28	21040102901	Spring	1
29	21040102701	O-ring 17x2	1
30	21040102801	Plug screw	1
31	21040103101	Pin #12, small	2
32	21040103201	Washer φ18.6xφ12.4x0.5	4
33	21040103301	Rocker arm inlet	1
34	21040103401	Rocker arm exhaust	1

35	21040100401	Steel ball SΦ5.159	1
37	01224060251	Hex Flange Bolt 6x25	4
38	21040103801	Valve cover gasket	1
39	21040103901	Valve cover	1
40	21040104101	Spacer assembly φ30×φ20.5×1	1
41	21040104201	Thermostat gasket	1
42	21040104301	Thermostat cover	1
43	21040117001	Gasket ring 6	1
44	21040104401	Screw 6×12	1
45	01224060251	Hex Flange Bolt 6x25	2
46	21040105101	Spark plug, DCPR7E	1

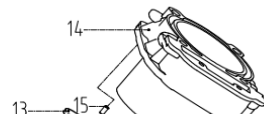
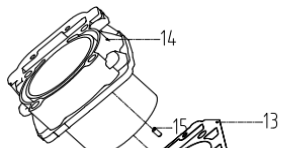
DIAGRAM CRANKCASE E03



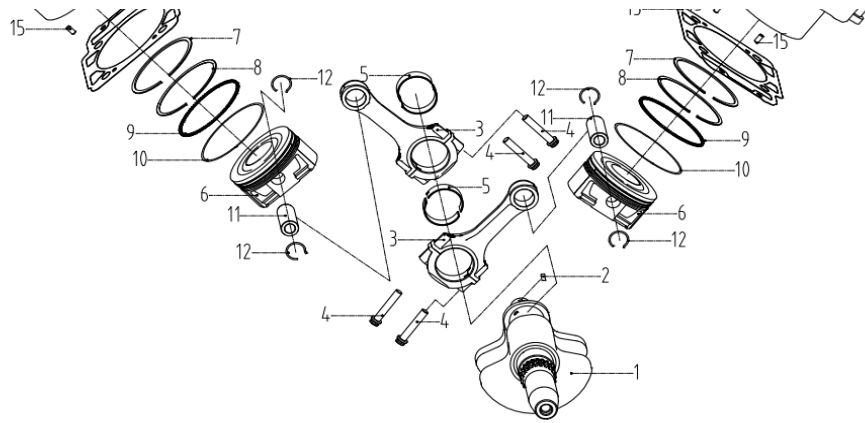
Item #	SKU#	Description	Quantity
1	21040105202	Right Crankcase	1
2	21040105302	LH Crankcase	1
3	21040105401	Center pin 8×12	5
4	21040105502	Drive pin 5×11	4
5	21040105601	Plug screw npt 1/2	1
6	90101120650	Insert pin 10*1.5-17K	8
7	21040105701	Plug screw npt 1/8	3
8	21040105801	Plug screw npt 1/4	3
9	21040105901	Location pin	3
10	21040106001	Plain bearing	2
10	21040106002	Plain bearing	2
11	21040106101	Plain bearing	2
11	21040106102	Plain bearing	2
12	21140105401	Crankcase Ventilation Pipe	1

13	21040403801	Steel clamp	1
14	21040106301	Needle pin 6×10	1
15	21040106401	Gasket	1
16	01214080651	Hex Flange Bolt 8×65	4
17	01224060351	Hex Flange Bolt 6x35	1
18	01214060751	Hex Flange Bolt 6x75	12
19	21040106501	Valve plate	1
20	21040106601	Reed valve stop	1
21	01224060161	Hex Flange Bolt 6x16	3
22	21040116001	Dowel pin 10×16	1
23	21040106801	Stud 8×62	4
24	21140210101	Gasket	1
25	21040106902	Gasket	1
26	21040107001	Pot Cover Assy	1
27	21040107101	Bearing Sleeve	2
27	21040107102	Bearing Sleeve	2
28	21040107301	Oil seal 34×52×8	1
30	21040107201	Hose outlet npt1/4	1
31	01224060351	Hex Flange Bolt 6x35	14
32	21040107401	Sealing ring φ8	1
33	01224080161	Hex Flange Bolt 8x16	1
34	04112080021	Hex. Nut M8	4

DIAGRAM CRANSHAFT PISTON& CYLINDER E04

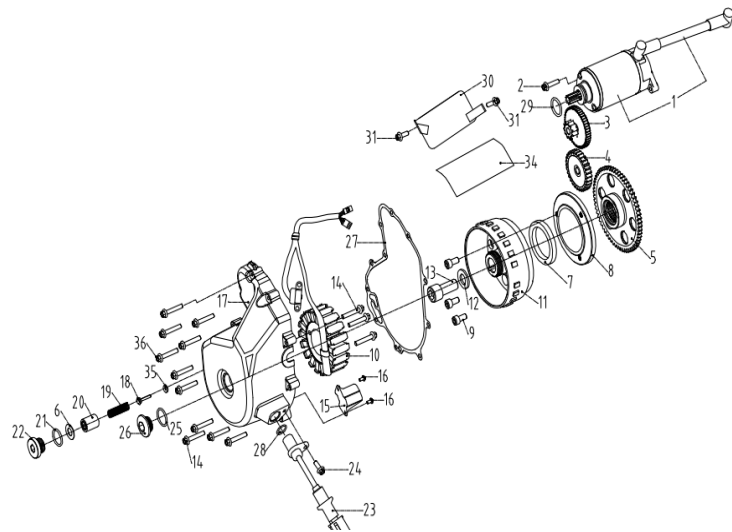


Item #	SKU#	Description	Quantity
1	21040107504	Crankshaft	1
2	21040107701	Woodruff key 4×5	1
3	21040107801	Connecting rod assembly	2



4	21040107821	Connecting rod screw 8 X 1	4
5	21040107831	Plain bearing	4
5	21040107832	Plain bearing	4
6	21170100102	Piston Assembly	2
7	21170100301	First piston ring	2
8	21170100401	Second piston ring	2
9	21170100501	Scraper ring	4
10	21170100601	Oil ring	2
11	21040108701	Piston pin	2
12	21040108801	Piston circlip	4
13	21040408902	Gasket	2
14	21170100202	Cylinder with sleeve	2
15	21040105502	Drive pin 5×11	4

DIAGRAM MEGNETO E05

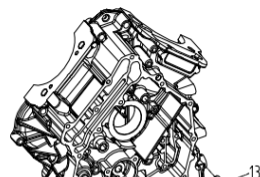


Item #	SKU#	Description	Quantity
1	21040109116	Starter assembly	1
2	02224080251	Hex Flange Bolt 8×25	1
3	21040109201	Double gear 49T/11T	1
4	21040109301	Gear, 30 teeth	1
5	21040109401	Free wheel gear, 60 teeth	1
6	21040205801	O-ring 20×12.5×1	1
7	21040109501	Sprag clutch	1
8	21040109601	Sprag clutch housing	1
9	03344080161	Flanged screw 8×16	3
10	21140107201	Stator plate	1
11	21041000701	Flywheel	1
12	21040109901	Shim φ30×φ16.5×3	1

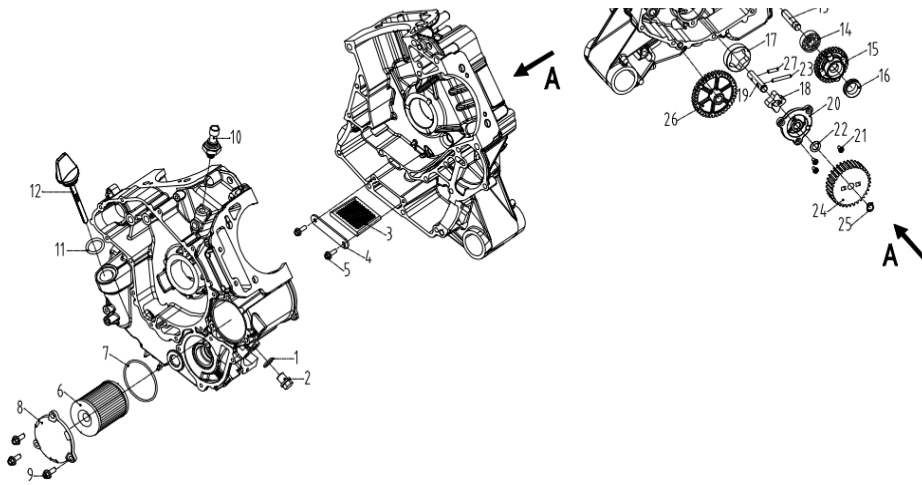


13	03344160357	Socket head screw 16×35	1
14	01224060351	Hex Flange Bolt 6x35	14
15	21040110101	Cable inner cover	1
16	03113040081	Tap Screw 4×8	2
17	22040110202	Cover	1
18	21040110401	Pressure relief valve	1
19	21140108501	Compression spring	1
20	21040110601	Housing valve	1
21	21040500601	O-ring φ22.5×2.7	1
22	21040110801	Screw plug 22×1.5	1
23	21040110901	Crankshaft position sensor assembly	1
24	01224060161	Hex Flange Bolt 6x16	1
25	21040111101	O-ring	1
26	21040111201	Screw plug	1
27	21040111303	Gasket	1
28	21040111001	O-ring 16×2	1
29	21040109118	O-ring 23.8×3.1	1
30	21140101301	Starter Shield	1
32	01224060161	Hex Flange Bolt 6x16	2
34	21040117501	Brake Cable-Heat Insulation Film ,Thin	1
35	21040110301	Cushion	1
Item #	SKU#	Description	Quantity
1	21040104701	Copper washer φ18×φ12.4×2	1
2	21040104801	Plug screw 12×15	1
3	21040111401	Oil Filter	1
4	21040111501	Oil filter cover	1

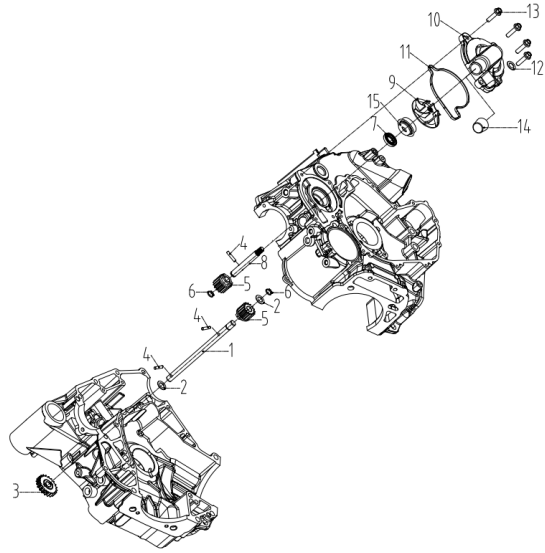
DIAGRAM ENGINE LUBRICATION E06



-13

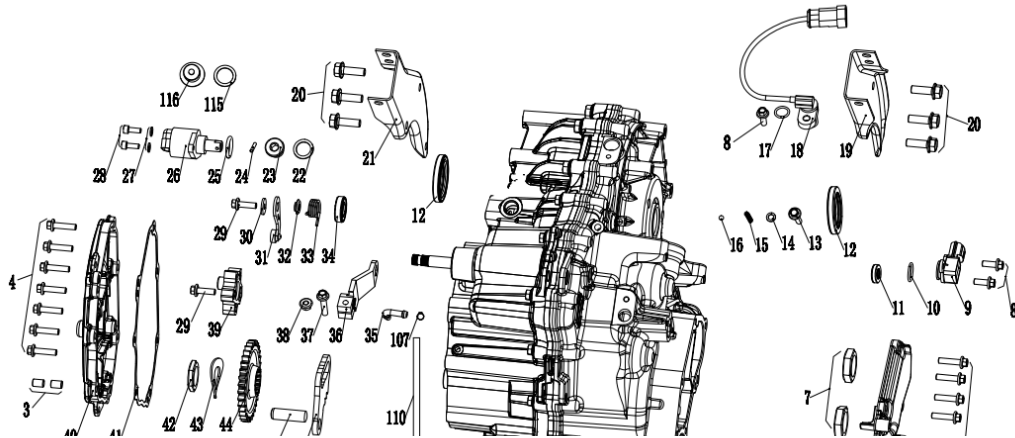


5	01223050161	Hex Flange Bolt 5x16	2
6	21040111601	Oil filter	1
7	21040116901	O-ring $\phi 61.5 \times 2.65$	1
8	21040111801	Oil filter cover	1
9	01224060181	Hex Flange Bolt 6x18	3
10	21040111901	Oil pressure switch	1
11	21040112001	O-ring	2
12	21040112101	Oil dipstick	1
13	21040516601	Bearing pin	2
14	09360006200	Bearing 6200-2RZ	1
15	21040112301	Idle Gear	1
16	21040112401	V-Ring	1
17	21040112501	Bolt	1
18	21040112601	Oil pump rotor	1
19	21040112801	Oil pump shaft	1
20	21040112901	Oil pump cover	1
21	03424050161	Screw 5x16	3
22	21040113001	Thrust washer	1
23	21040113101	Needle pin	1
24	21040113202	Oil pump gear, 33 teeth	1
25	07021101004	Snap ring 10	1
26	21040113402	Idle gear, 38T	1
27	21040112701	Needle pin 4x16	1
28	21140106801	Fuel pipe joint	2
29	21170105401	Oil cooler pipe ,with joint	1
Item #	SKU#	Description	Quantity



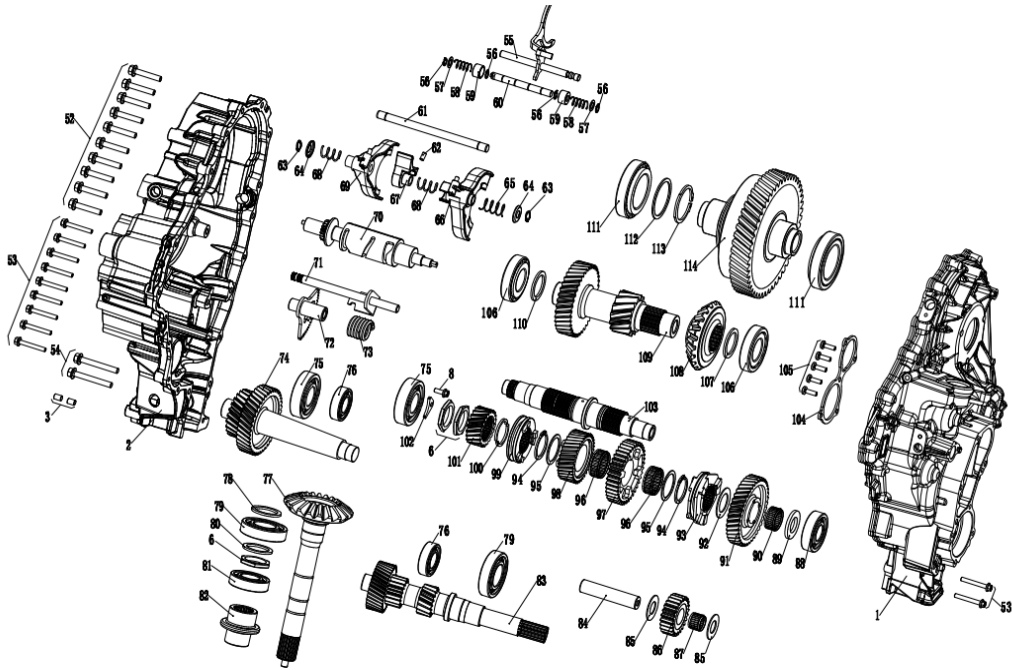
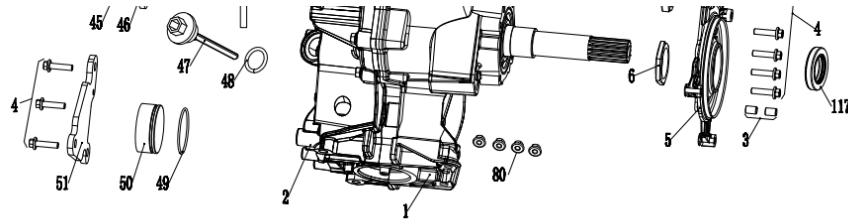
1	21040113501	Intermediate shaft	1
2	21040113001	Thrust washer	2
3	21040113602	Water pump gear z=20	1
4	21040113701	Needle pin 4×20	3
5	21040113802	Pump gear, 15 teeth	2
6	07021101004	Snap ring 10	2
7	21040106201	Oil seal 10×25×5	1
8	21040114002	Water pump shaft	1
9	21140100701	Water impeller	1
10	21140100401	Water pump housing	1
11	21140100501	Gasket	1
12	06150061201	Washer φ6	1
13	01224060251	Hex Flange Bolt 6x25	4
14	21040114211	Clip	1
15	21040113902	Rotary seal	1

DIAGRAM TRANSMISSION E08



Item #	SKU#	Description	Quantity
1	21140207101	Gearbox Cover	1
2	21140207201	RH Gearbox Cover	1
3	21040105401	Center pin 8×12	6
4	01314060252	Flanged Torx Screw M6×25	23
5	21140208401	LH Cover Plate	1
6	21140203102	Hex. Nut M34	4
7	21140208302	Hex. Nut M24	2
8	01224060161	Hex Flange Bolt 6x16	4
9	21140200502	Angle Rotation Sensor	1
10	21040102701	O-ring 17×2	1

40 41



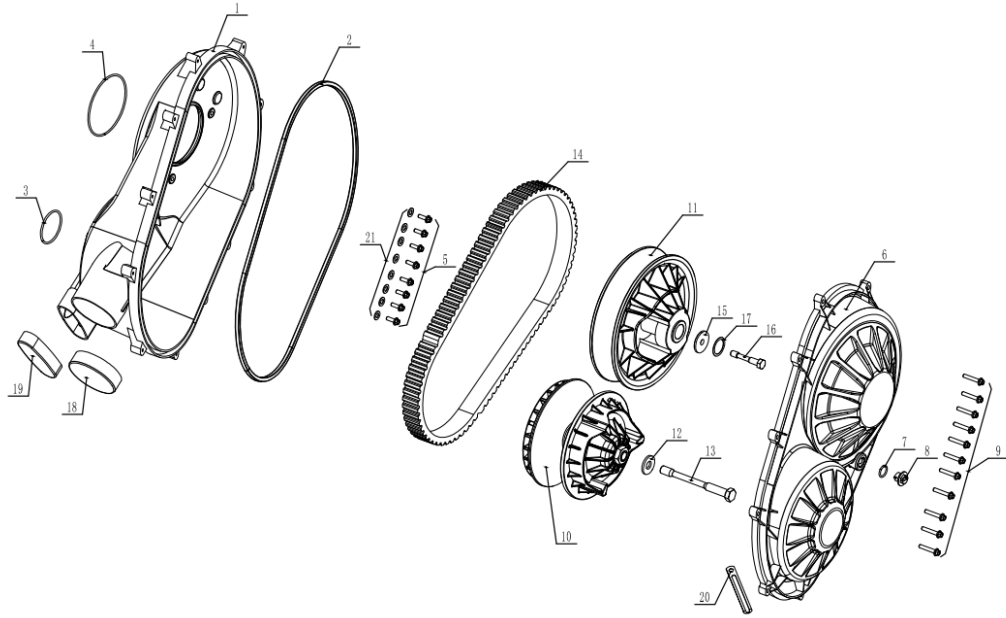
11	21140200401	Oil Seal	1
12	21140211201	Oil Seal	2
13	01224060301	Hex Flange Bolt M6 X 30	1
14	21140206001	Copper Washer φ6	1
15	21140205901	Spring	1
16	21140205801	Ball	1
17	21050904211	O-ring φ13×1.9	1
18	21050904201	Speed Sensor	1
19	21140209401	Hang Bracket, LH	1
20	01225080251	Hex Flange Bolt 8x25	6
21	21140209501	Hang bracket,RH	1
22	21140201101	Copper Washer φ22×φ16×1.5	1
23	21140201201	Plug Screw M16 X 1.5	1
24	21140201001	Needle Pin.	1
25	21160102801	O-Ring Φ17.8×3.3	1
26	21140200601	Servomotor	1
27	21140200901	Shim	2
28	03344050141	Hexagon socket screw M5×14	2
29	01224060201	Hex Flange Bolt M6 X 20	3
30	21040203601	Washer	1
31	21050909401	Index Lever Ass'y	1
32	21040203401	Step Ring	1
33	21140208601	Spring	1
34	21040200701	Oil Seal	1
35	21050905901	Breather pipe	1
36	21050905603	Rocker arm	1

37	01224060281	Flanged Torx Screw M6 X 28	1
38	04633060023	Hex. Nut M6	1
39	21140208501	Index Washer	1
40	21140209301	RH Cover Plate	1
41	21140209201	RH Cover Plate Gasket	1
42	21140209102	Nut	1
43	21140209001	Spring Washer $\phi 44 \times \phi 24.2 \times 2$	1
44	21140208902	Gear	1
45	21140208801	Needle Pin	1
46	21140208701	Parking Lock Lever	1
47	21140200301	Oil Dipstick	1
48	21040112001	O-ring	1
49	21040115801	O-ring $\phi 47 \times 2$	1
50	21140210301	Position Switch	1
51	21140210202	Actuator Ass'y	1
52	01314080451	Flanged Torx Screw M8 X 45	10
53	01314060451	Flanged Torx Screw M6 X 45	11
54	01314080651	Flanged Torx Screw M8 X 65	2
55	21140205201	Shift Fork Ass'y	1
56	07021101004	Snap ring 10	4
57	21040113001	Thrust washer	2
58	21140205601	Spring	2
59	21140205501	Distance Sleeve	2
60	21140205301	Fork Spindle	1
61	21140203801	Fork Spindle.	1
62	21140209801	Location pin	1

63	07021121004	Retaining Ring	2
64	21140204401	Spring Seat	2
65	21140204301	Spring	1
66	21140212101	Shift Fork Ass'y	1
67	21140203901	Shift Bloc Ass'y	1
68	21140204001	Ressort	2
69	21140212201	Shift Fork Ass'y	1
70	21140203702	Shift Drum Ass'y.	1
71	21140204801	Switch Shaft	1
72	21140204601	Toothed Segment	1
73	21140204701	Hairpin Valve Spring	1
74	21140203203	Intermediate Shaft Ass'y	1
75	21140207901	Bearing 6306 C3	2
76	21140207601	Bearing 6205-RS	2
77	21140206201	Bevel Gear Set	1
78	21140206303	Adjusting shim $\phi 47 \times \phi 35.5 \times 2.3$	4
	21140206304	Adjusting shim $\phi 47 \times \phi 35.5 \times 2.4$	
	21140206305	Adjusting shim $\phi 47 \times \phi 35.5 \times 2.5$	
	21140206306	Adjusting shim $\phi 47 \times \phi 35.5 \times 2.6$	
	21140206307	Adjusting shim $\phi 47 \times \phi 35.5 \times 2.7$	
	21140206309	Adjusting shim $\phi 47 \times \phi 35.5 \times 2.75$	
	21140206308	Adjusting shim $\phi 47 \times \phi 35.5 \times 2.8$	
	21140206301	Adjusting shim $\phi 47 \times \phi 35.5 \times 2.85$	
	21140206311	Adjusting shim $\phi 47 \times \phi 35.5 \times 2.9$	
	21140206321	Adjusting shim $\phi 47 \times \phi 35.5 \times 2.95$	
	21140206331	Adjusting shim $\phi 47 \times \phi 35.5 \times 3.0$	

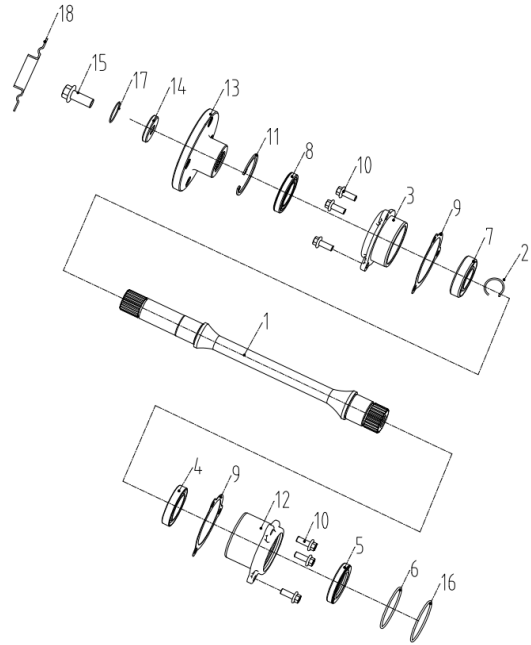
	21140206341	Adjusting shim $\phi 47 \times \phi 35.5 \times 3.05$	
	21140206351	Adjusting shim $\phi 47 \times \phi 35.5 \times 3.1$	
	21140206361	Adjusting shim $\phi 47 \times \phi 35.5 \times 3.2$	
	21140206371	Adjusting shim $\phi 47 \times \phi 35.5 \times 3.3$	
	21140206381	Adjusting shim $\phi 47 \times \phi 35.5 \times 3.4$	
	21140206391	Adjusting shim $\phi 47 \times \phi 35.5 \times 3.5$	
79	21140207401	Bearing 6207 C3	2
80	04112080021	Hex. Nut M8	4
81	09160006206	Bearing 6206	1
82	21140206703	Shifting Sleeve Kit	1
83	21140201603	Countershaft Ass'y	1
84	21140203301	Intermediate Gear Shaft Ass'y	1
85	21140203401	Thrust Washer $\phi 40 \times \phi 20.2 \times 1.5$	2
86	21140203502	Intermediate Gear, 24 Teeth	1
87	21140203601	Needle Cage $\phi 25 \times \phi 20 \times 19.5$	1
88	21140207501	Bearing 6305 LUC3	1
89	21140202701	Thrust Washer $\phi 48 \times \phi 30.2 \times 1.5$	1
90	21140202601	Needle Cage $\phi 35 \times \phi 30 \times 16.5$	1
91	21140202502	Gear Pinion, 39 Teeth	1
92	21140202401	Thrust Washer $\phi 45 \times \phi 25.1 \times 4.5$	1
93	21140202302	Shifting Sleeve	1
94	21140202201	Retaining Ring $\phi 38$	2
95	21140202101	Thrust Washer $\phi 48 \times \phi 38.2 \times 1.5$	2
96	21140202001	Needle Cage $\phi 42 \times \phi 38 \times 16.5$	2
97	21140201902	Gear Pinion, 39 Teeth	1
98	21140201802	Gear Pinion, 38 Teeth	1

99	21140202802	Shifting Sleeve	1
100	21140202901	Half-Ring	2
101	21140203002	Intermediate Gear, 21 Teeth	1
102	21040203001	Bearing Set Plate	1
103	21140201702	Main Shaft.	1
104	21140207701	Retaining Plate	1
105	21140207801	Flanged Torx Screw M6 X 20	5
106	21050907321	Bearing 30207	2
107	21140102901	Hose Clamp ϕ 10.5	1
108	21140206501	Drive bevel gear	1
109	21140206102	Pinion Drive Shaft Ass.	1
110	21140102702	Pipe	1
111	21140211301	Bearing 6210	2
112	21140205001	Retaining Ring ϕ 55	1
113	21140205151	Adjusting shim ϕ 65 \times ϕ 55.3 \times 2.0	1
	21140205161	Adjusting shim ϕ 65 \times ϕ 55.3 \times 2.1	
	21140205131	Adjusting shim ϕ 65 \times ϕ 55.3 \times 2.2	
	21140205141	Adjusting shim ϕ 65 \times ϕ 55.3 \times 2.3	
	21140205101	Adjusting shim ϕ 65 \times ϕ 55.3 \times 2.4	
	21140205111	Adjusting shim ϕ 65 \times ϕ 55.3 \times 2.5	
	21140205121	Adjusting shim ϕ 65 \times ϕ 55.3 \times 2.6	
114	21140204902	Gearbox Ass'y	1
115	21050600101	O-ring 24 \times 18 \times 1 copper	1
116	21050600202	Drain Plug M18 X 1.5	1
117	21040201801	SEAL-OIL 32 \times 47 \times 7	1
DIAGRAM CVT SYSTEM E09			
Item #	SKU#	Description	Quantity



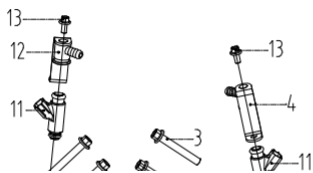
1	21140300101	CVT Air Guide	1
2	21140300201	Gasket	1
3	21040300201	O-Ring $\phi 57 \times 3$	1
4	21140300301	O-Ring $\phi 110 \times 2.85$	1
5	01314060181	Hex.Screw M6 X 18	8
6	21140300401	Variator Cover	1
7	21140300501	O-Ring $\phi 18 \times 2.5$	1
8	21140300601	Cap	1
9	01314060351	Hex.Screw M6 X 35	11
10	21140303301	Driving Wheel Assembly	1
11	21140301501	Driven Wheel Assembly	1
12	21140300901	Spring Washer $\phi 34.5 \times \phi 15 \times 3.5$	1
13	21140301001	Hexagonal Screw M14X 165	1
14	21140301102	Drive Belt	1
15	21140301201	Collar Washer $\phi 40 \times \phi 10.2 \times 5.13$	1
16	21140301301	Hexagonal Screw M10X 61	1
17	21140300801	Adjusting shim $\phi 35 \times \phi 27.4 \times 0.5$	1
18	21140301601	Rubber cap,big	1
19	21140301701	Rubber cap,small	1
20	21040402401	Wire holder	1
21	06112081601	Iron washer	8
15	21140301201	Collar Washer $\phi 40 \times \phi 10.2 \times 5.13$	1
16	21140301301	Hexagonal Screw M10X 61	1
17	21140300801	Adjusting shim $\phi 35 \times \phi 27.4 \times 0.5$	1
18	21140301601	Rubber cap,big	1
19	21140301701	Rubber cap,small	1

DIAGRAM DRIVE SHAFT E10

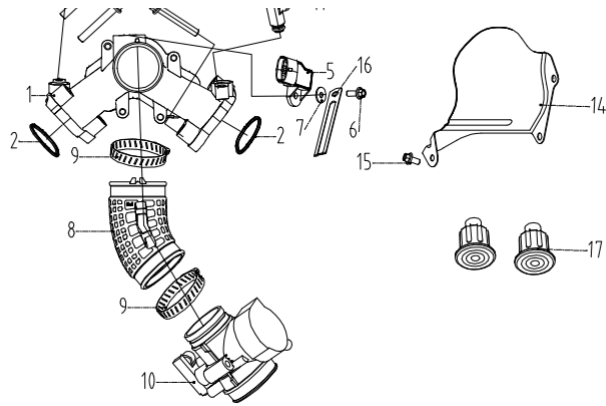


Item #	SKU#	Description	Quantity
20	21040402401	Wire holder	1
21	06112081601	Iron washer	8
1	21040115402	Drive shaft	1
2	21040206102	Drive Shaft Check Ring	1
3	21040115501	Bearing Cover	1
4	09160061906	Bearing 6906	1
5	21040115701	Oil seal 30×47×7	1
6	21140102201	O-ring φ52.5×2.15	1
7	09160006005	Bearing 6005	1
8	21040116101	Oil seal 25×47×7	1
9	21040116202	Gasket	2
10	01224060161	Hex Flange Bolt 6x16	6
11	07011470001	Retaining Rings For Bores φ47	1
16	21140100302	Bearing Cover	1
13	21140107101	Transmission transition housing	1
14	21140107302	Washer 28.5×13×3	1
15	21051001504	Bolt 12×1.25×25	1
16	21140102101	O-Ring φ54.4×1.6	1
17	21140107401	Washerφφ31×φ13×1	1
18	21051000201	Dust-proof cover	1

DIAGRAM AIR INDUCTION SYSTEM E11



Item #	SKU#	Description	Quantity
1	21041000801	Air intake manifold	1
2	21040114501	Gasket	2
3	01214080452	Hex Flange Bolt M8×45	4
4	21170103001	Injection Valve Cap	1



5	21040114601	Pressure and temp sensor	1
6	01224060161	Hex Flange Bolt 6x16	1
7	06222061704	Washer φ6×φ17.8×1.5	1
8	21040118001	Intake neck	1
9	21040118201	Clamp 52-70	2
10	21040114801	Throttle body	1
11	21170101401	Fuel injector	2
12	21040115103	Injection Valve Cap	1
13	01224060121	Hex Flange Bolt 6x12	2
14	21140105601	Transmission heat shield	1
15	01224080122	Hex Flange Bolt M8×12	1
16	21040402401	Wire holder	1
17	21040206301	Anti-vibration mount	2

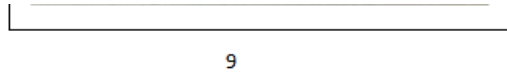
DIAGRAM TOOL KITS E12



Item #	SKU#	Description	Quantity
1	21040400000	Diagnostic Tool-Delphi	1
2	2104040001	Diagnostic Tool ,Write Program -Delphi	1
3	90123020401	Flywheel Puller	1
	90123020402	Flywheel Puller Rod	1
4	90103050079	Retaining tool	1
5	90801011846	Retaining tool	1
6	90101010710	Drive Wheel Puller	1
7	90101010960	Driven Wheel Puller	1
8	90801010527	Water Seal Tool Support Plate	1
	90801010529	Bolt M20	1
	90801010591	Water Seal Tool Base	1
	90801010496	Water Seal Installation Shaft	1



8



9

	90801010497	Water Seal Installation Base	1
	90801010526	Water Seal Press Tool Support Column	4
9	90124090201	Shift change debugging and inspection fixture	1

